

PRESSURE SWITCH NOTE

Regardless of manufacture date, the position of the high and low pressure switches have remained the same. See Figure 1, position 1 will always have a pressure switch stamped 1-800 and position 2 will always have a pressure switch stamped 2-10. Be sure to install the correct replacement switch.

691/690 Brake Lock System

Pressure Switch or Power Unit Replacement

MICO®

PRESSURE SWITCH REPLACEMENT

1. Replace pressure switches as necessary and torque 17.6-23.1 N·m (13-17 lb·ft). **NOTE: Torque only on surface flats.**
2. **691 models:** Reattach wire connectors. See Figure 1.
3. **690 models:** Earlier models of the 690 power unit provided a black wire, red wire, and green wire from each of the pressure switches as shown in Figure 2. These style switches are no longer available. Later models use pressure switches which provide two black wires from each as shown in Figure 3. When replacing pressure switches, either one of the black wires from each pressure switch can be used to connect to ground. Connect the other black wire from the pressure switches to the white wire or violet wire as shown in Figure 3. The pressure switch that connects to the white wire is stamped 1-800. The pressure switch that connects to the violet wire is stamped 2-10. **NOTE: Replacement switches may have connectors similar to FIGURE 1. Remove connectors as needed.**

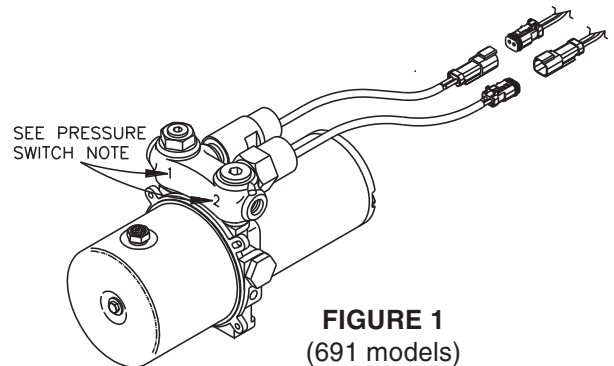


FIGURE 1
(691 models)

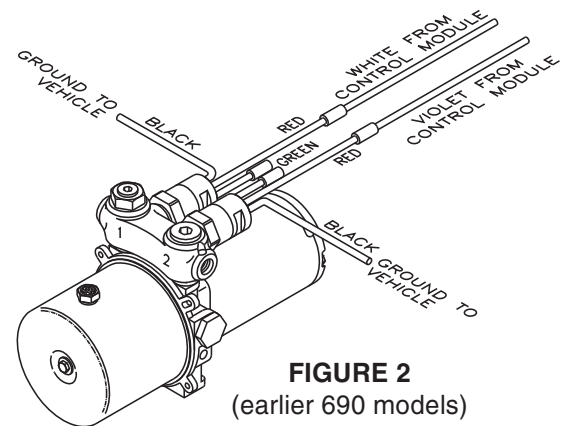


FIGURE 2
(earlier 690 models)

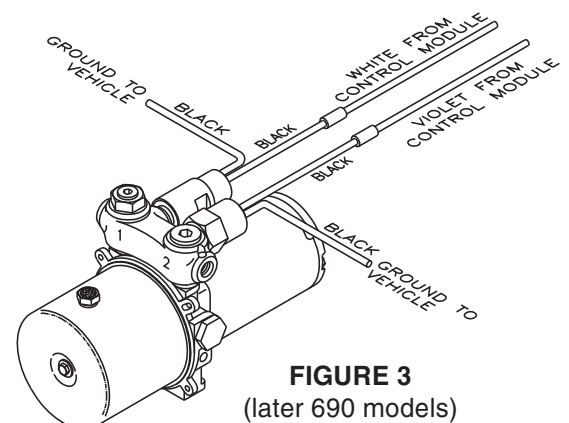


FIGURE 3
(later 690 models)

POWER UNIT REPLACEMENT

1. **691 models:** Remove old power unit and install new power unit. Reattach wire connectors. See Figure 1.
2. **690 models:** Remove old power unit and install new power unit. Note that replacement power units have connectors similar to FIGURE 1. Remove connectors as needed. Earlier models of the 690 power unit provided a black wire, red wire, and green wire from each of the pressure switches as shown in Figure 2. Later models use pressure switches which provide two black wires from each as shown in Figure 3. When replacing the power unit, either one of the black wires from each pressure switch can be used to connect to ground. Connect the other black wire from the pressure switches to the white wire or violet wire as shown in Figure 3. The pressure switch that connects to the white wire is stamped 1-800. The pressure switch that connects to the violet wire is stamped 2-10.

MICO could not possibly know of and give advice with respect to all conceivable applications in which this product may be used and the possible hazards and/or results of each application. MICO has not undertaken any such wide evaluation. Therefore, anyone who uses an application which is not recommended by the manufacturer, first must completely satisfy himself that a danger will not be created by the application selected, or by the particular model of our product that is selected for the application.

MICO has made every attempt to present accurate information in catalogs, brochures and other printed material. MICO can accept no responsibility for errors from unintentional oversights that may exist. Due to a continuous program of product improvement, materials, specifications, and product documentation are subject to change without notice or obligation.

MICO is a registered trademark of MICO, Inc. MICO is registered in the U.S. Patent and Trademark Office as well as in Australia, Canada, Indonesia, Japan, Peoples Republic of China, South Korea, and the European Community.



Innovative Braking and Controls Worldwide

MICO, Incorporated

1911 Lee Boulevard / North Mankato, MN U.S.A. 56003-2507

Tel: +1 507 625 6426 **Fax:** +1 507 625 3212

Form No. 81-690-022 Revised 2011-10-26

www.mico.com