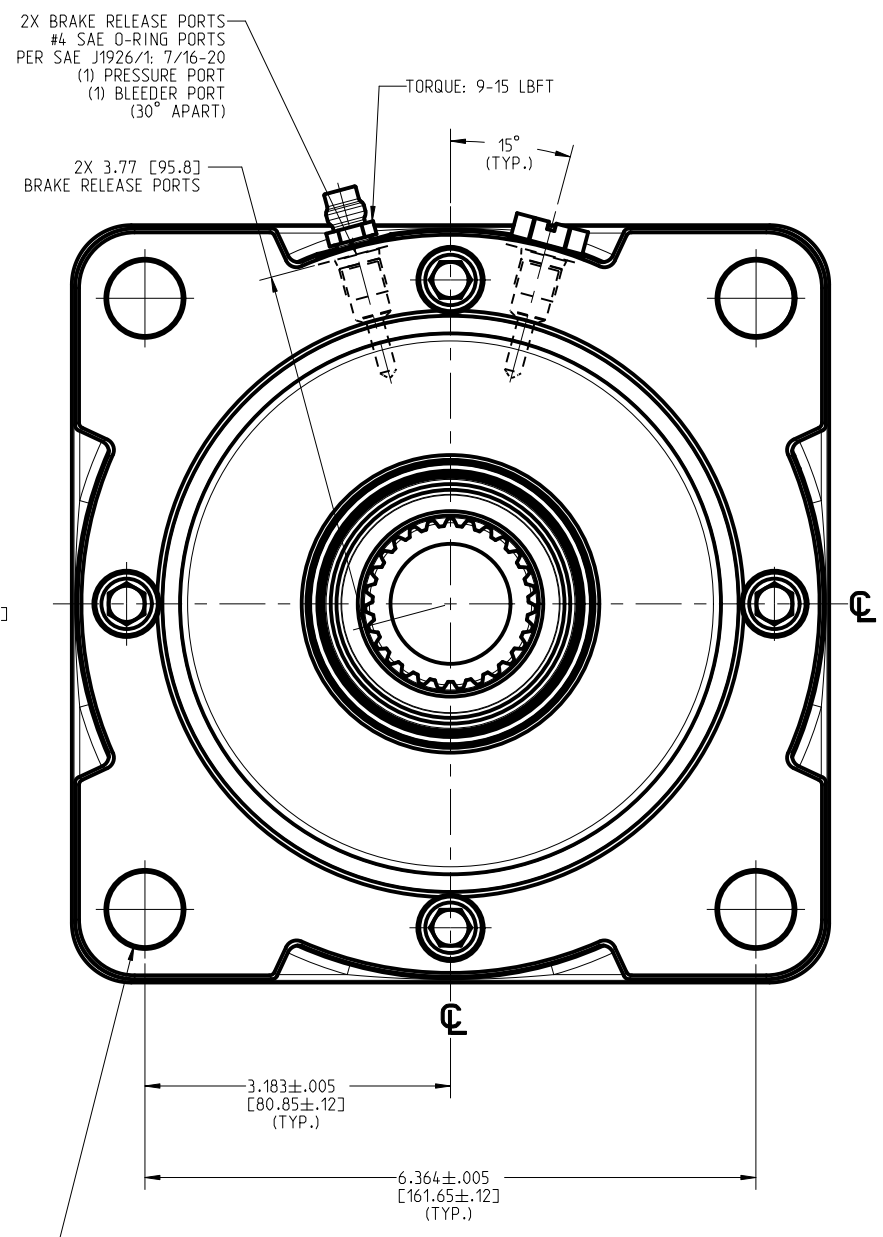
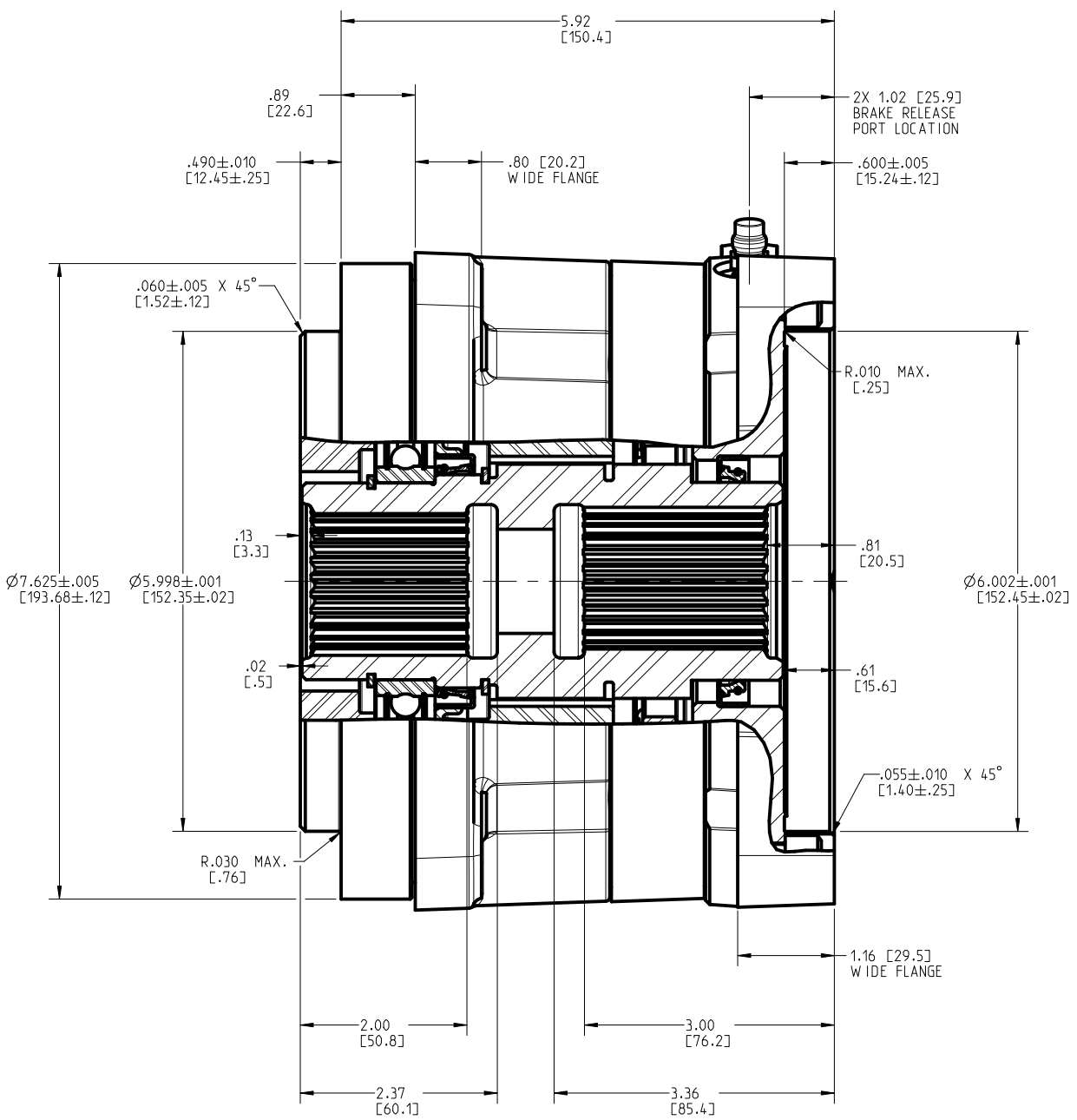


30° INVOLUTE SPLINE-INTERNAL
27 TOOTH 16/32 PITCH
FLAT ROOT, SIDE FIT, CLASS 7
PER ANSI B92.1-1970
BOTH ENDS



4X Ø.784⁺.007 [19.91⁺.17] Ø THRU
(ON Ø9.00 [228.6] B.C.)
MOUNTING HOLES

- NOTES:**
1. USE MINERAL BASE HYDRAULIC OIL ONLY FOR BRAKE RELEASE.
 2. DIMENSIONS WITHOUT TOLERANCE MAY VARY BETWEEN UNITS AND ARE FOR REFERENCE PURPOSES ONLY. MILLIMETER VALUES MAY NOT BE AN EXACT CONVERSION OF INCH VALUES.
 3. LINING REPAIR KIT P/N 12-501-506
 4. BEARING REPAIR KIT P/N 12-501-507
 5. O-RING REPAIR KIT P/N 12-501-508
 6. SPRING REPAIR KIT P/N 12-501-509
 7. RECOMMEND USING 3/4" DIA., GRADE 8 BOLTS AND APPROPRIATE WASHERS FOR INSTALLATION. TO PREVENT BINDING, RUN THE BOLTS IN ALTERNATELY UNTIL SNUG. TORQUE 3/4" DIA. GRADE 8 BOLTS TO 285-315 LBFT. USE SUITABLE LOCTITE ON THE BOLT THREADS. WHEN BRAKE IS MOUNTED TO A MOTOR, ALL AVAILABLE MOUNTING HOLES MUST BE USED.

SPECIFICATIONS:

TYPE:	DRY MULTIPLE DISC BRAKE, SPRING APPLY, HYDRAULIC RELEASE
TORQUE RATING:	12,000 LBIN STATIC (BREAKAWAY) AT 0 PSI BACK PRESSURE ACTUAL TORQUE MAY VARY BY UP TO 10% DUE TO MANUFACTURING TOLERANCES.
RELEASE PRESSURE:	160 PSI INITIAL, 230 PSI FULL
MAXIMUM OPERATING PRESSURE:	3,000 PSI
MAXIMUM SPEED:	3,900 RPM
LINING MATERIAL:	SINTERED BRONZE
APPROXIMATE WEIGHT:	52 LB

INCH
[MILLIMETER]

MICO
a WABCO company

SCALE 0.500		TITLE MULTIPLE DISC BRAKE		
DWN MG 2017-05-04	APVD PROD ENGRG MG 2017-07-24	SIZE B	DRAWING NUMBER 13-552-116	REV D
X NO X09-3332	APVD ENGRG CL 2017-05-17	CUSTOMER COPY		2 3

COMPONENT AND SYSTEM RECOMMENDATIONS MADE BY MICO, INC. ARE BASED ON INFORMATION SUPPLIED BY POTENTIAL USER AND/OR SYSTEM DESIGNER. THE POTENTIAL USER AND/OR DESIGNER MUST MAKE FINAL ACCEPTANCE AND APPROVAL OF COMPONENTS AND SYSTEM AFTER TESTING PERFORMANCE ON AN ACTUAL APPLICATION FOR WHICH SYSTEM WAS DESIGNED.

MICO, INC. CLAIMS PROPRIETARY RIGHTS TO THE MATERIAL DISCLOSED IN THIS DOCUMENT. THIS DOCUMENT IS PROVIDED IN CONFIDENCE AND MAY NOT BE REPRODUCED OR DISCLOSED WITHOUT WRITTEN PERMISSION FROM MICO, INC. COPYRIGHT MICO, INC. ALL RIGHTS RESERVED.