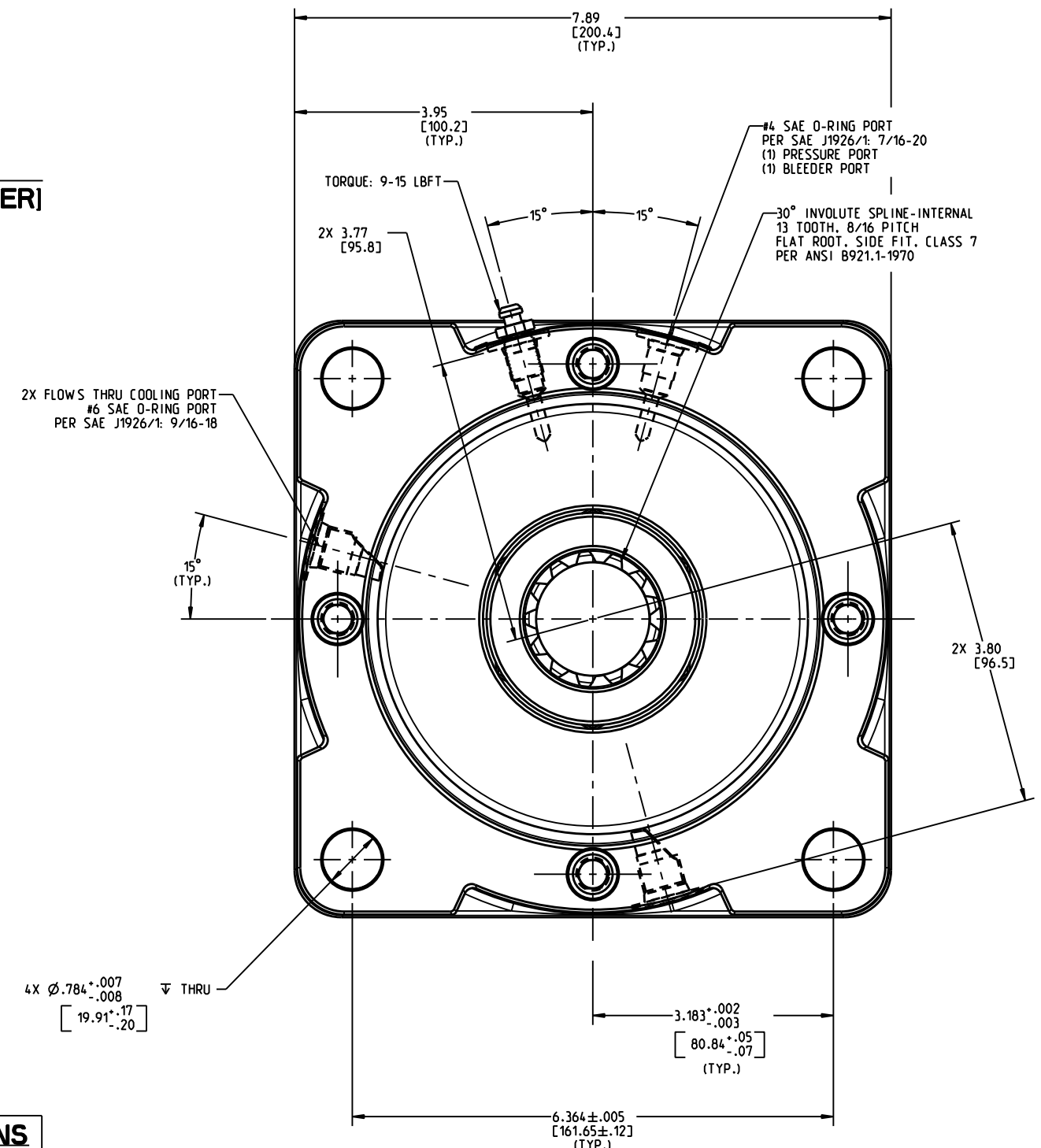


INCH
(MILLIMETER)



NOTES:

- 1) FOR USE WITH MINERAL BASE HYDRAULIC OIL ONLY.
- 2) DIMENSIONS MAY VARY SLIGHTLY AND ARE FOR REFERENCE PURPOSE ONLY. MILLIMETER VALUES MAY NOT BE AN EXACT CONVERSION OF INCH VALUES.
- 3) O-RING REPAIR KIT P/N 12-501-249
- 4) BEARING KIT P/N 12-501-250
- 5) SPRING REPAIR KIT P/N 12-501-251
- 6) LINING REPAIR KIT P/N 12-501-306

SPECIFICATIONS:

TYPE:	WET MULTIPLE DISC BRAKE, SPRING APPLY, HYDRAULIC RELEASE
TORQUE RATING:	WET 16,000 LB-IN STATIC (BREAKWAY) TO 0 PSI BACK PRESSURE. DRY 24,000 LB-IN DRY TORQUE FOR BRAKE RATING AND SPECIFICATION ONLY
RELEASE PRESSURE:	330 PSI INITIAL, 470 PSI FULL
MAXIMUM OPERATING PRESSURE:	3,000 PSI
MAXIMUM SPEED:	3,900 RPM. HOWEVER, MAXIMUM SPEED AT TIME OF SERVICE APPLY IS DEPENDENT ON PRODUCT APPLICATION.
LINING MATERIAL:	SINTERED BRONZE
APPROXIMATE WEIGHT:	52 LB.

COOLING OIL RECOMMENDATIONS

OIL TYPE: MINERAL BASE HYDRAULIC OIL SUCH AS MOBIL DTE 24, CITGO A/W 32 OR EQUIVALENT
FLOW THRU CAPACITY: 1.0 - 7.0 GPM
MAXIMUM CASE PRESSURE: 15 PSI
SUMP OIL VOLUME: HORIZONTAL SHAFT: 5 FL. OZ. VERTICAL SHAFT: CONTACT FACTORY



North Mankato, Minnesota USA

COMPONENT AND SYSTEM RECOMMENDATIONS MADE BY MICO, INC ARE BASED ON INFORMATION SUPPLIED BY POTENTIAL USER AND/OR SYSTEM DESIGNER. THE POTENTIAL USER AND/OR DESIGNER MUST MAKE FINAL ACCEPTANCE AND APPROVAL OF COMPONENTS AND SYSTEM AFTER TESTING PERFORMANCE ON AN ACTUAL APPLICATION FOR WHICH SYSTEM WAS DESIGNED.		MICO, INC CLAIMS PROPRIETARY RIGHTS TO THE MATERIAL DISCLOSED IN THIS DOCUMENT. THIS DOCUMENT IS PROVIDED IN CONFIDENCE AND MAY NOT BE REPRODUCED OR DISCLOSED WITHOUT WRITTEN PERMISSION FROM MICO, INC. COPYRIGHT MICO, INC. ALL RIGHTS RESERVED.	
SCALE 0.500	TITLE MULTIPLE DISC BRAKE		
DWN MAP 2012-10-17	APVD PROD ENGRG PJS 2013-02-27	SIZE B	DRAWING NUMBER 13-552-110
X NO 08-2407	APVD ENGRG BLF 2013-03-08		REV C CUSTOMER COPY