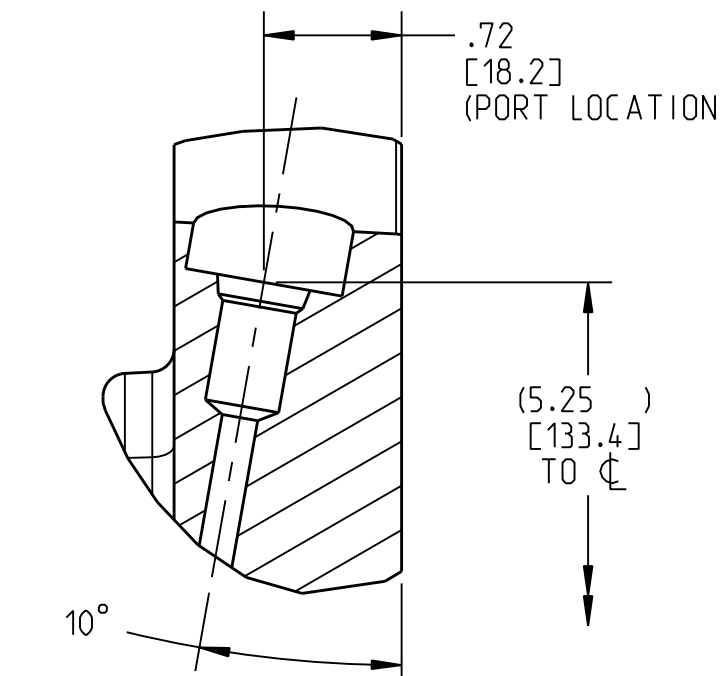


- NOTES:**
- 1) FOR USE WITH MINERAL BASE HYDRAULIC OIL ONLY.
 - 2) DIMENSIONS MAY VARY SLIGHTLY AND ARE FOR REFERENCES PURPOSES ONLY. MILLIMETER VALUES MAY NOT BE AN EXACT CONVERSION OF INCH VALUES.
 - 3) LINING REPAIR KIT P/N 12-501-306
 - 4) BEARING KIT P/N 12-501-250
 - 5) O-RING REPAIR KIT P/N 12-501-249
 - 6) SPRING REPAIR KIT P/N 12-501-251

SPECIFICATIONS:

TYPE:	WET MULTIPLE DISC BRAKE, SPRING APPLY, HYDRAULIC RELEASE
TORQUE RATING:	WET 8,000 LBIN STATIC (BREAKWAY) TO 0 PSI BACK PRESSURE. DRY 12,000 LBIN DRY TORQUE FOR BRAKE RATING AND SPECIFICATION ONLY
RELEASE PRESSURE:	160 PSI INITIAL, 230 PSI FULL
MAXIMUM OPERATING PRESSURE:	3,000 PSI
MAXIMUM SPEED:	3,900 RPM. HOWEVER, MAXIMUM SPEED AT TIME OF SERVICE APPLY IS DEPENDANT ON PRODUCT APPLICATION.
LINING MATERIAL:	SINTERED BRONZE
APPROXIMATE WEIGHT:	60 LB. FOR USE WITH MINERAL BASE HYDRAULIC OIL ONLY.

INCH
[MILLIMETER]



SECTION A-A
(2) PLACES

COOLING OIL RECOMMENDATIONS

OIL TYPE:	MINERAL BASE HYDRAULIC OIL SUCH AS MOBIL DTE 24, CITGO A/W 32 OR EQUIVALENT
FLOW THRU CAPACITY:	1.0 - 7.0 GPM
MAXIMUM CASE PRESSURE:	15 PSI
SUMP OIL VOLUME:	HORIZONTAL SHAFT: 3 FL. OZ. VERTICAL SHAFT: CONTACT FACTORY



COMPONENT AND SYSTEM RECOMMENDATIONS MADE BY MICO. THE USER IS RESPONSIBLE FOR THE PROPER SELECTION AND USE OF THE MATERIAL DISCLOSED IN THIS DOCUMENT. THIS DOCUMENT IS PROVIDED IN CONFIDENCE AND MAY NOT BE REPRODUCED OR DISCLOSED TO ANY OTHER PARTY WITHOUT WRITTEN PERMISSION FROM MICO, INC. COPYRIGHT MICO, INC., ALL RIGHTS RESERVED.	MICO, INC. CLAIMS PROPRIETARY RIGHTS TO THE MATERIAL DISCLOSED IN THIS DOCUMENT. THIS DOCUMENT IS PROVIDED IN CONFIDENCE AND MAY NOT BE REPRODUCED OR DISCLOSED TO ANY OTHER PARTY WITHOUT WRITTEN PERMISSION FROM MICO, INC. COPYRIGHT MICO, INC., ALL RIGHTS RESERVED.	SCALE 1:000	TITLE 30-131512-EZ MULTIPLE DISC BRAKE	SIZE D	DRAWING NUMBER 13-552-104	REV A
DWN RGS1 2008-09-28	APVD ENG RG RV 2008-12-17	X NO	CUSTOMER COPY			