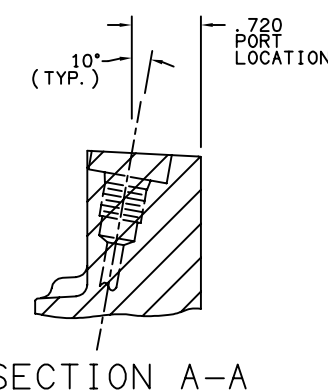
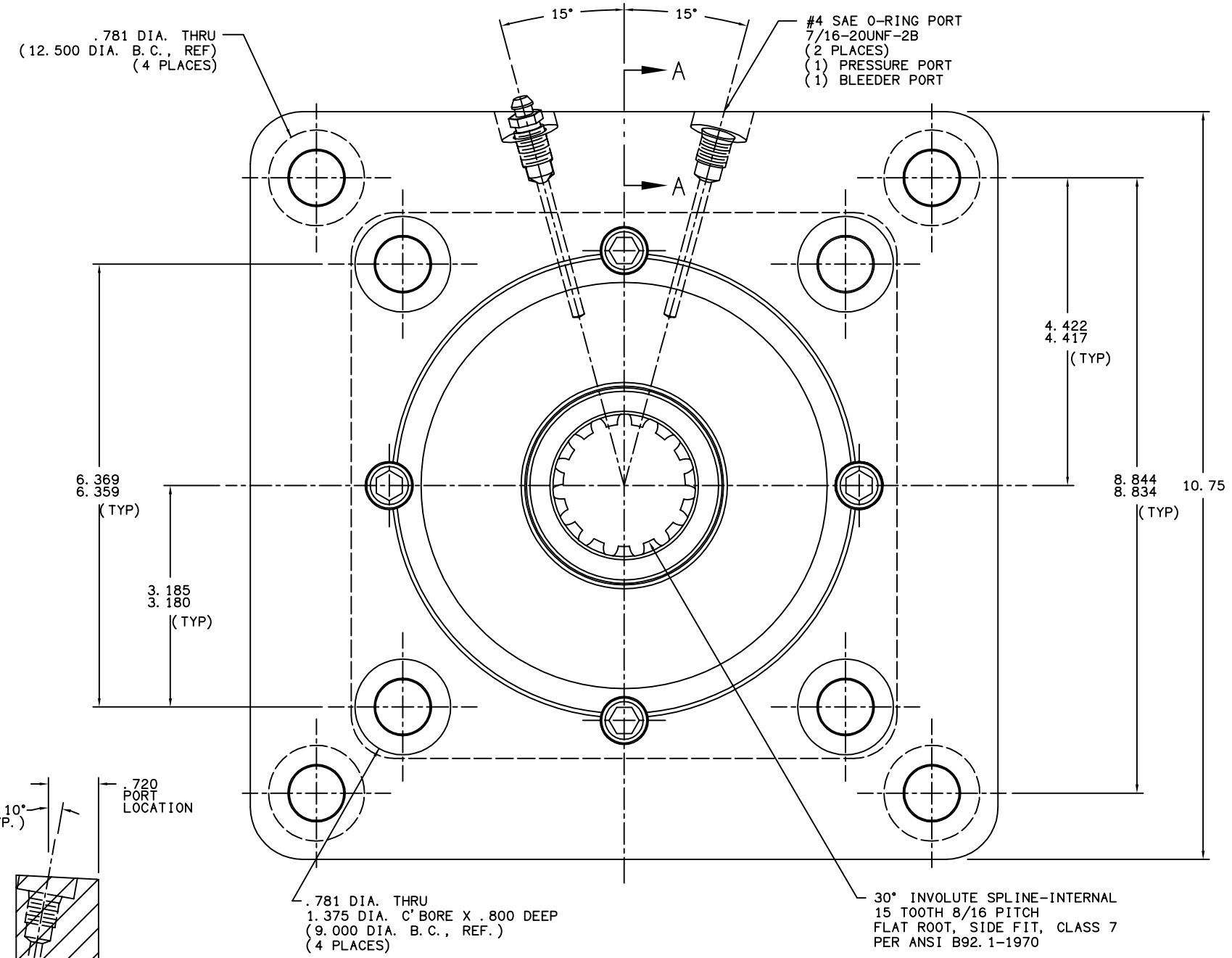
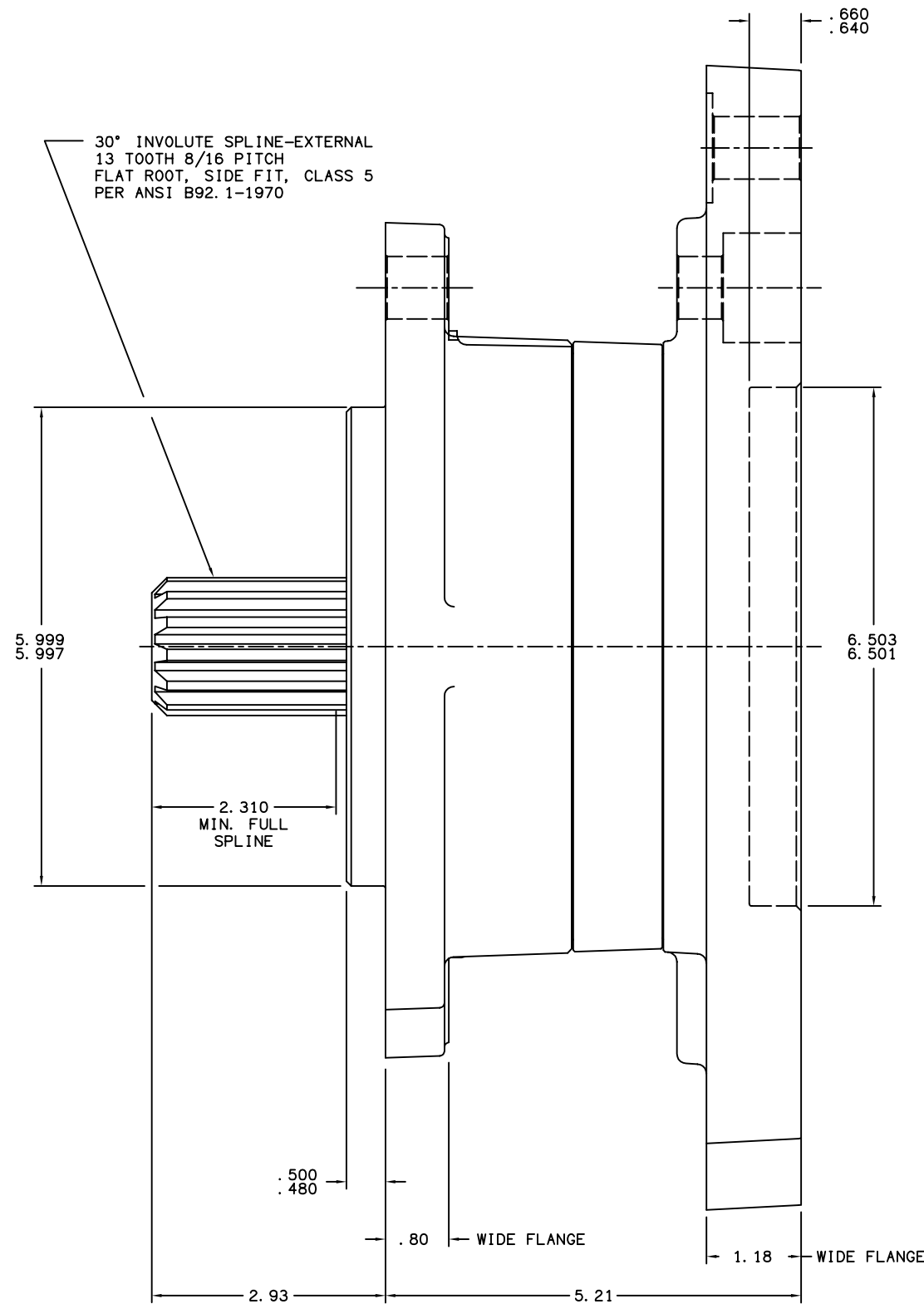


TITLE MULTIPLE DISC BRAKE 3D-131512-E		PART NUMBER 13-552-078
REV.	NPR OR ECO NO.	DATE
B	ECO S-1731	01/29/04



- NOTES:**
- 1) O-RING REPAIR KIT P/N 12-501-249
  - 2) BEARING REPAIR KIT P/N 12-501-250
  - 3) SPRING REPAIR KIT P/N 12-501-251
  - 4) LINING REPAIR KIT P/N 12-501-306

**SPECIFICATIONS:**

**TYPE:** DRY MULTIPLE DISC BRAKE, SPRING APPLY, HYDRAULIC RELEASE

**TORQUE RATING:** 12,000 LB-IN STATIC (BREAKAWAY) AT 0 PSI BACK PRESSURE

**RELEASE PRESSURE:** 160 PSI INITIAL, 230 PSI FULL

**MAXIMUM OPERATING PRESSURE:** 3,000 PSI

**MAXIMUM SPEED:** 3,900 RPM

**APPROXIMATE WEIGHT:** 60 LBS.

FOR USE WITH MINERAL BASE HYDRAULIC OIL ONLY

MICO, INC. CLAIMS PROPRIETARY RIGHTS TO THE MATERIAL DISCLOSED IN THIS DOCUMENT. THIS DOCUMENT IS PROVIDED IN CONFIDENCE AND MAY NOT BE REPRODUCED OR DISCLOSED WITHOUT WRITTEN PERMISSION FROM MICO, INC. COPYRIGHT MICO, INC. ALL RIGHTS RESERVED.

<b>mico</b> North Mankato, Minnesota U.S.A.		
SCALE 1:2	PART NUMBER 13-552-078	REV. B
X NO. x6406	CUSTOMER COPY	
DRAWN G.J.		
REVISED LH		
DATE 05/19/00	CHECKED	APPROVED ENG.