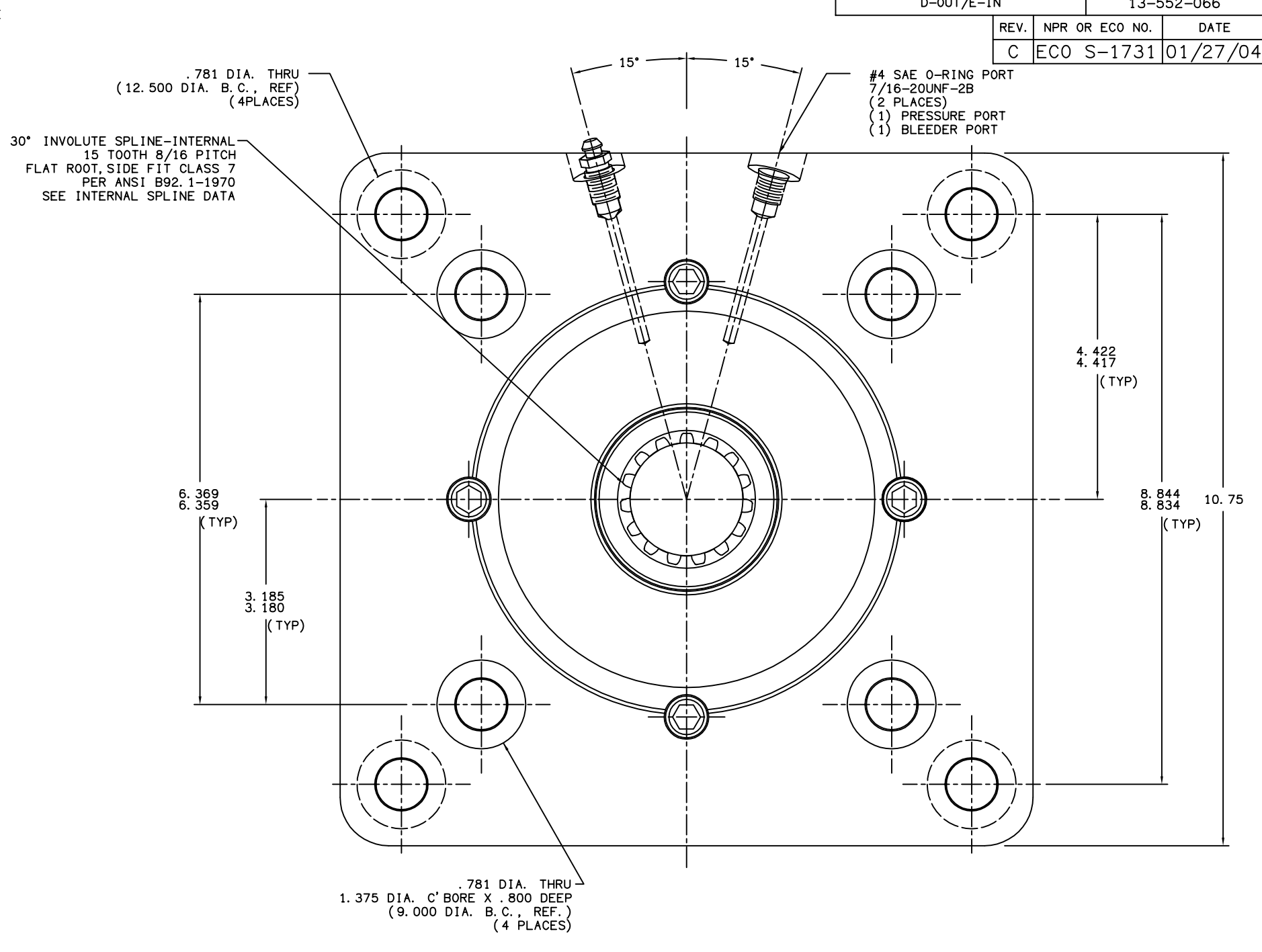
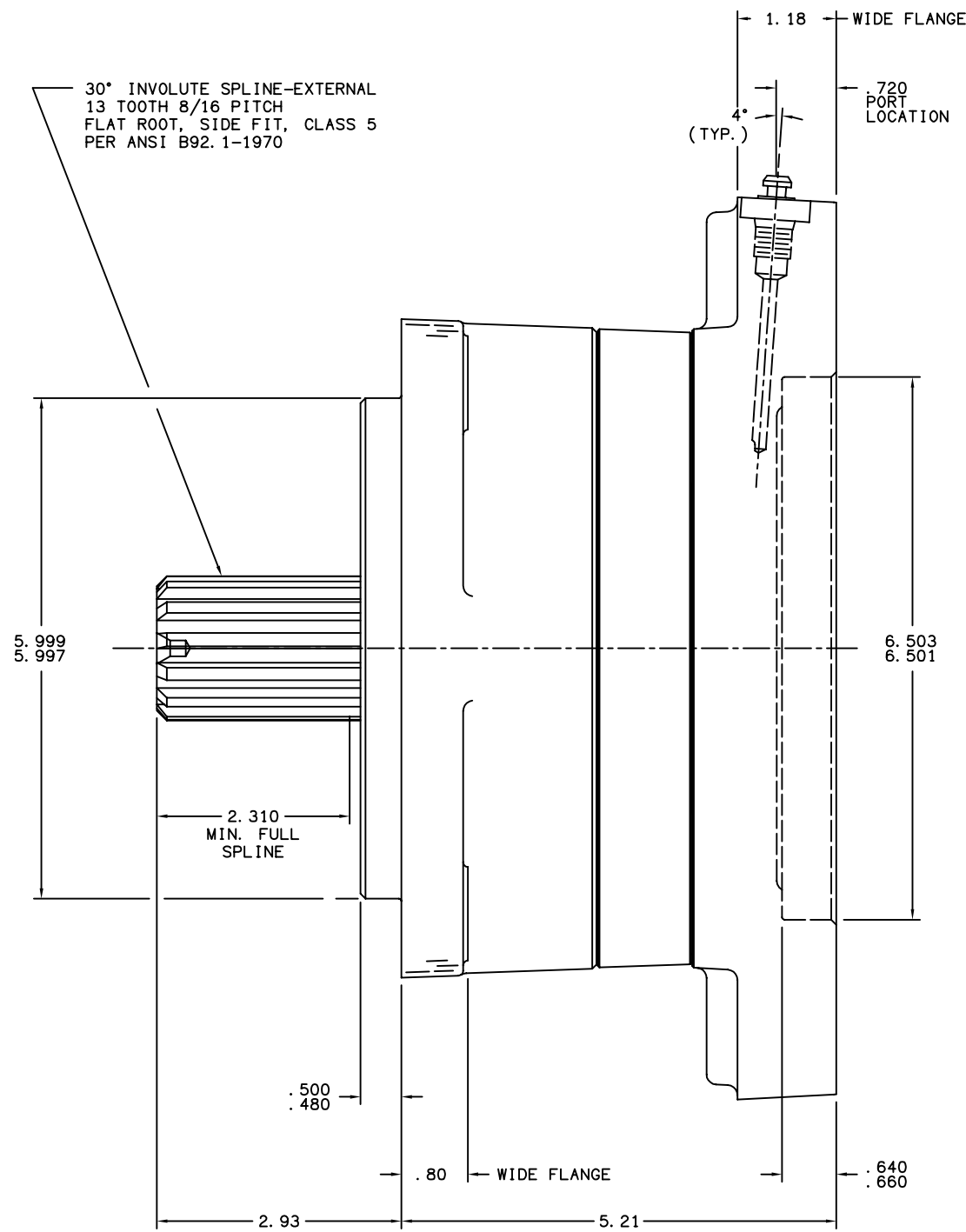


TITLE MULTIPLE DISC BRAKE D-OUT/E-IN		PART NUMBER 13-552-066
REV.	NPR OR ECO NO.	DATE
C	ECO S-1731	01/27/04



**NOTES:**

- 1) O-RING REPAIR KIT P/N 12-501-368
- 2) BEARING REPAIR KIT P/N 12-501-250
- 3) SPRING REPAIR KIT P/N 12-501-251
- 4) LINING REPAIR KIT P/N 12-501-306

**SPECIFICATIONS:**

**TYPE:** DRY MULTIPLE DISC BRAKE, SPRING APPLY, HYDRAULIC RELEASE

**TORQUE RATING:** 24,000 LB-IN STATIC (BREAKAWAY) AT 0 PSI BACK PRESSURE  
10,700 LB-IN STATIC (BREAKAWAY) AT 300 PSI BACK PRESSURE

**RELEASE PRESSURE:** 540 PSI INITIAL, 760 PSI FULL

**MAXIMUM OPERATING PRESSURE:** 3,000 PSI

**MAXIMUM SPEED:** 3,900 RPM

**LINING MATERIAL:** SINTERED BRONZE

**APPROXIMATE WEIGHT:** 60 LBS.

FOR USE WITH MINERAL BASE HYDRAULIC OIL ONLY

MICO, INC. CLAIMS PROPRIETARY RIGHTS TO THE MATERIAL DISCLOSED IN THIS DOCUMENT. THIS DOCUMENT IS PROVIDED IN CONFIDENCE AND MAY NOT BE REPRODUCED OR DISCLOSED WITHOUT WRITTEN PERMISSION FROM MICO, INC. COPYRIGHT MICO, INC. ALL RIGHTS RESERVED.

<b>mico</b>		North Mankato, Minnesota U.S.A.	
SCALE 1:2	PART NUMBER 13-552-066		REV. C
X NO. x6475	CUSTOMER COPY		
DRAWN G.J.			
REVISED LH			
DATE 04/10/00	CHECKED	APPROVED ENG.	