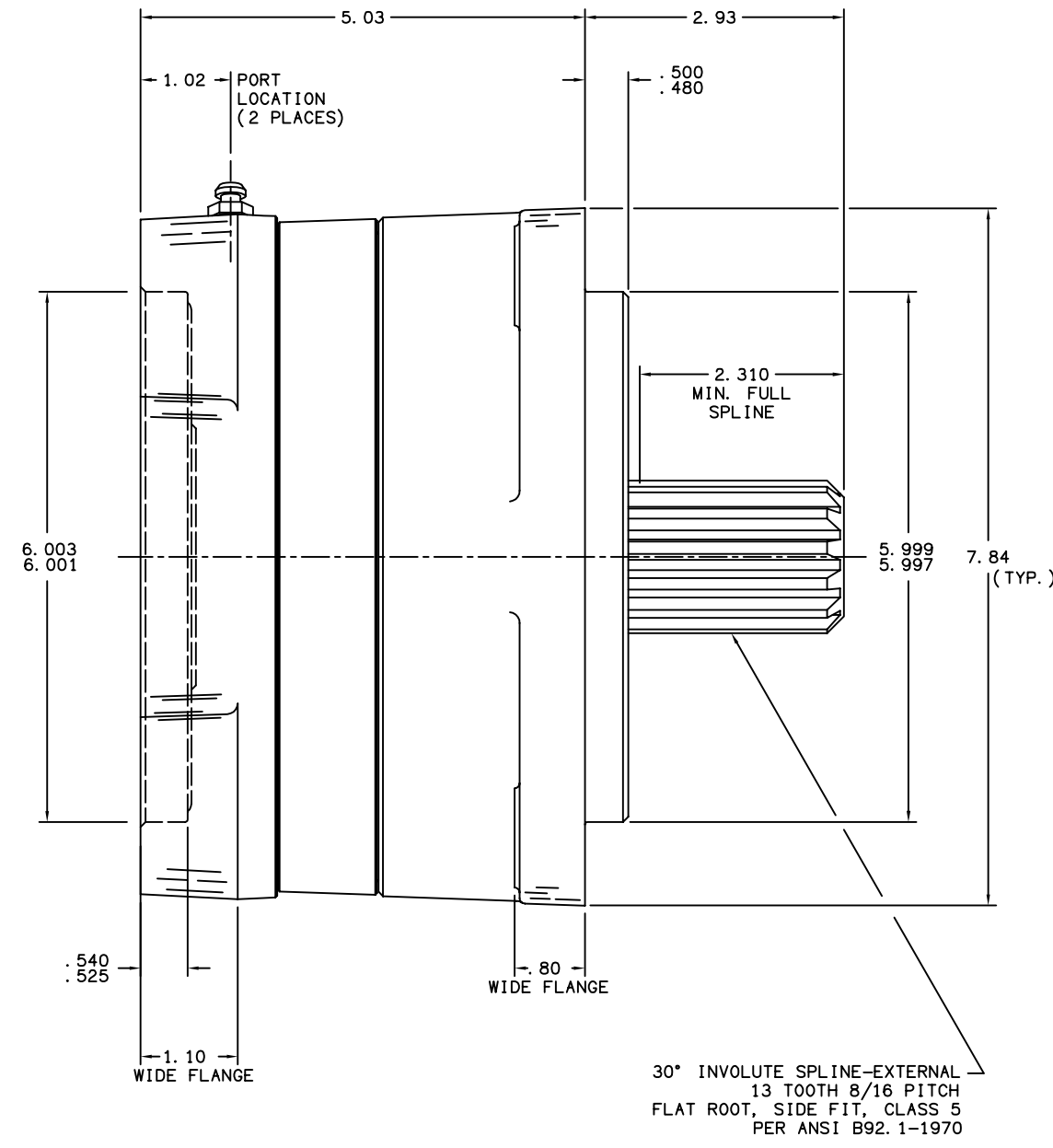
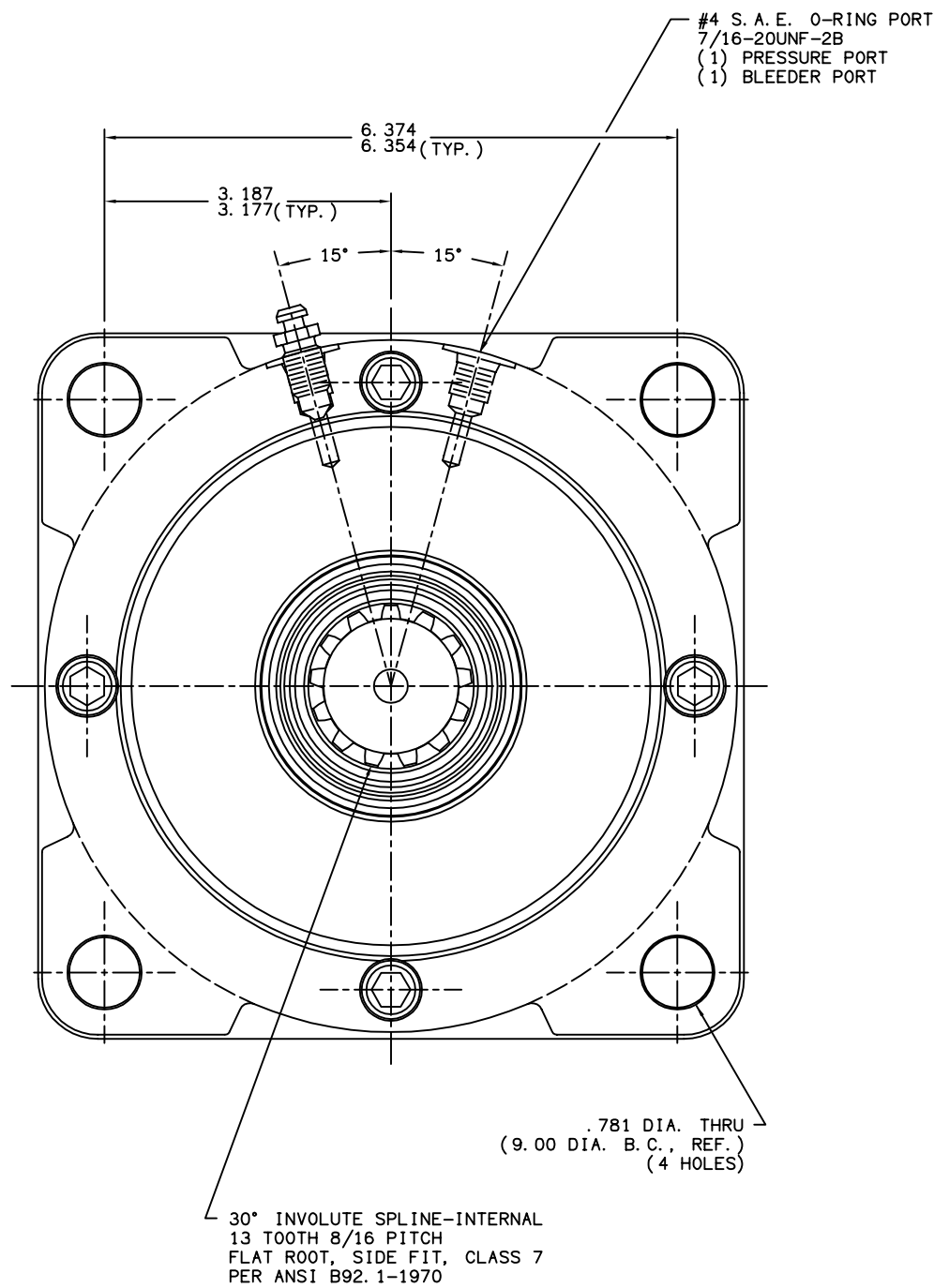


TITLE MULTIPLE DISC BRAKE		PART NUMBER 13-552-062
REV.	NPR OR ECO NO.	DATE
B	ECO S-1731	01/21/04



NOTES:

- 1) ■ ITEMS INCLUDED IN O-RING REPAIR KIT P/N 12-501-328
- 2) ● ITEMS INCLUDED IN BEARING REPAIR KIT P/N 12-501-329
- 3) ● ITEMS INCLUDED IN SPRING REPAIR KIT P/N 12-501-251
- 4) ▼ ITEMS INCLUDED IN LINING REPAIR KIT P/N 12-501-306

SPECIFICATIONS:

TYPE: DRY MULTIPLE DISC BRAKE, SPRING APPLY, HYDRAULIC RELEASE

TORQUE RATING: 16,000 LB-IN STATIC (BREAKAWAY) AT 0 PSI BACK PRESSURE

RELEASE PRESSURE: 210 PSI INITIAL, 300 PSI FULL

MAXIMUM OPERATING PRESSURE: 3,000 PSI

MAXIMUM SPEED: 3,900 RPM

LINING MATERIAL: SINTERED BRONZE

APPROXIMATE WEIGHT: 52 LBS.

FOR USE WITH MINERAL BASE HYDRAULIC OIL ONLY.

MICO, INC. CLAIMS PROPRIETARY RIGHTS TO THE MATERIAL DISCLOSED IN THIS DOCUMENT. THIS DOCUMENT IS PROVIDED IN CONFIDENCE AND MAY NOT BE REPRODUCED OR DISCLOSED WITHOUT WRITTEN PERMISSION FROM MICO, INC. COPYRIGHT MICO, INC. ALL RIGHTS RESERVED.

mico		North Mankato, Minnesota U. S. A.	
SCALE 1:2	PART NUMBER	REV.	
X NO.	13-552-062	C	
DRAWN G. J.	CUSTOMER COPY		
REVISED LH	CHECKED	APPROVED	ENG.
DATE 04/29/02			