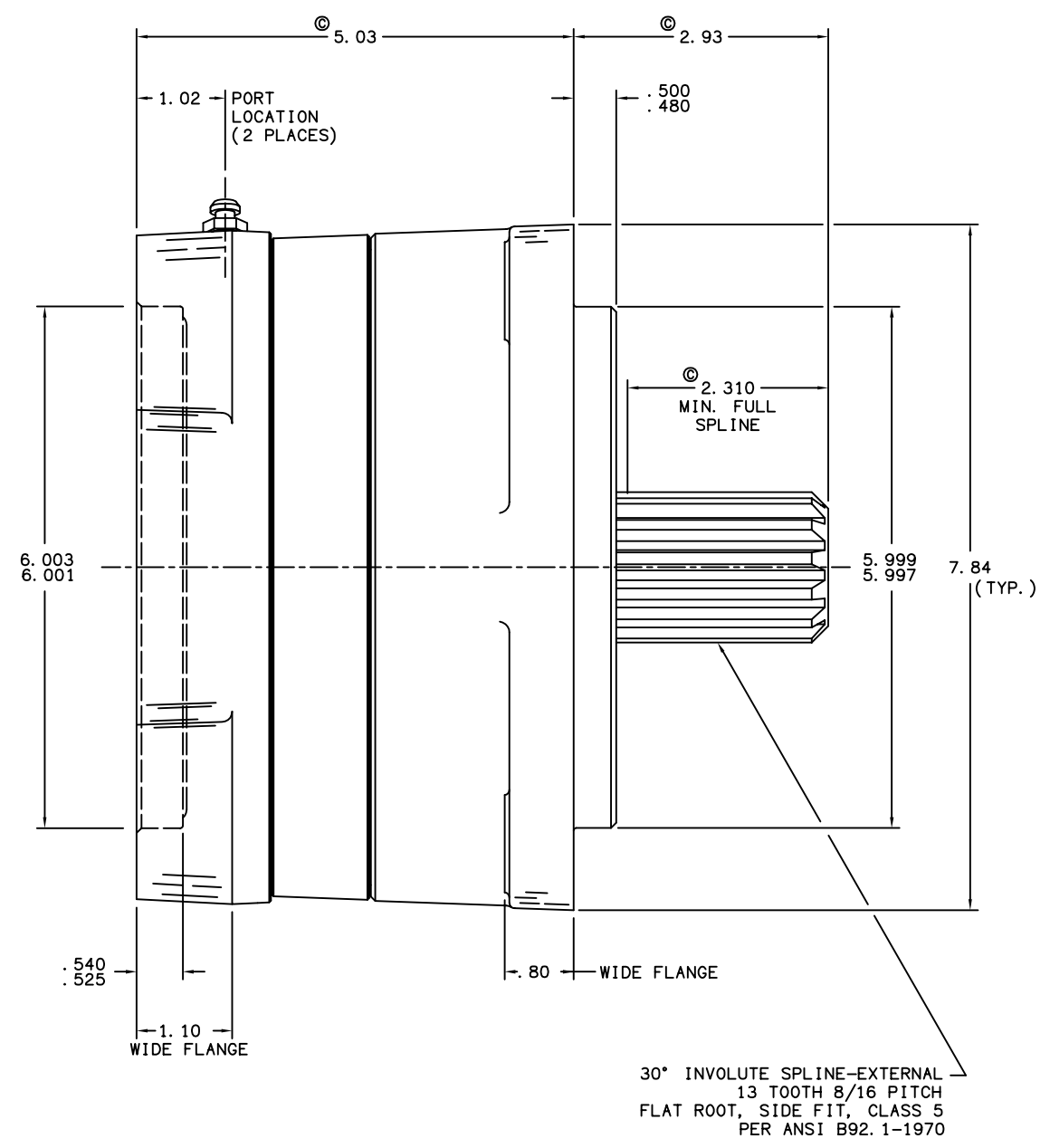
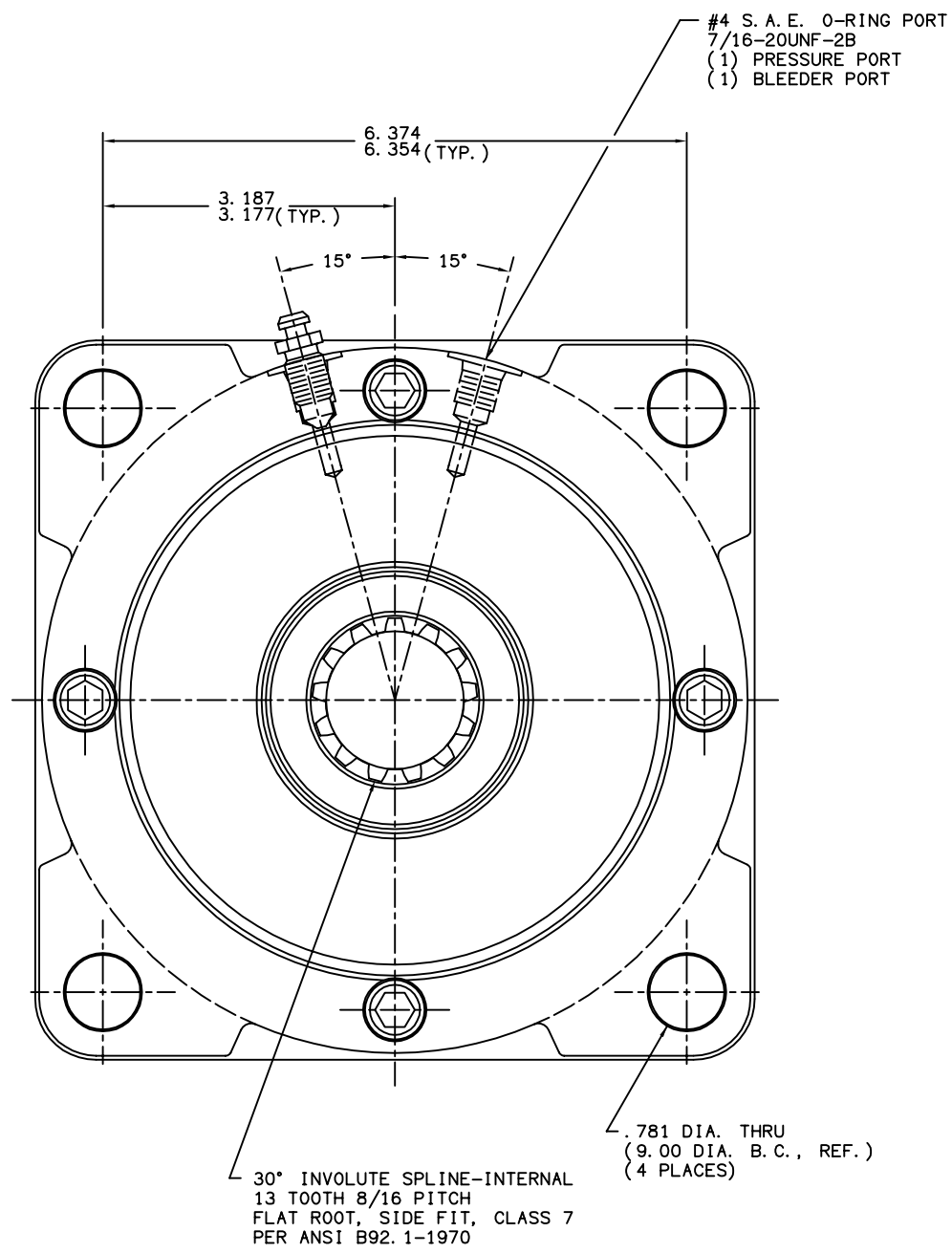


REV.	NPR OR ECO NO.	DATE
D	ECO S-1731	01/21/04



NOTES:

- 1) O-RING REPAIR KIT P/N 12-501-249
- 2) BEARING REPAIR KIT P/N 12-501-250
- 3) SPRING REPAIR KIT P/N 12-501-251
- 4) LINING REPAIR KIT P/N 12-501-306

SPECIFICATIONS:

TYPE:	DRY MULTIPLE DISC BRAKE, SPRING APPLY, HYDRAULIC RELEASE
TORQUE RATING:	20,000 LB-IN STATIC (BREAKAWAY) AT 0 PSI BACK PRESSURE
RELEASE PRESSURE:	270 PSI INITIAL, 380 PSI FULL
MAXIMUM OPERATING PRESSURE:	3,000 PSI
MAXIMUM SPEED:	3,900 RPM
LINING MATERIAL:	SINTERED BRONZE
APPROXIMATE WEIGHT:	52 LBS.
FOR USE WITH MINERAL BASE HYDRAULIC OIL ONLY.	

MICO, INC. CLAIMS PROPRIETARY RIGHTS TO THE MATERIAL DISCLOSED IN THIS DOCUMENT. THIS DOCUMENT IS PROVIDED IN CONFIDENCE AND MAY NOT BE REPRODUCED OR DISCLOSED WITHOUT WRITTEN PERMISSION FROM MICO, INC. COPYRIGHT MICO, INC. ALL RIGHTS RESERVED.

mico North Mankato, Minnesota U.S.A.		
SCALE 1:2	PART NUMBER	REV.
X NO.	13-552-060	D
DRAWN G.J.	CUSTOMER COPY	
REVISION	CHECKED	APPROVED
DATE 6/8/00		ENG.