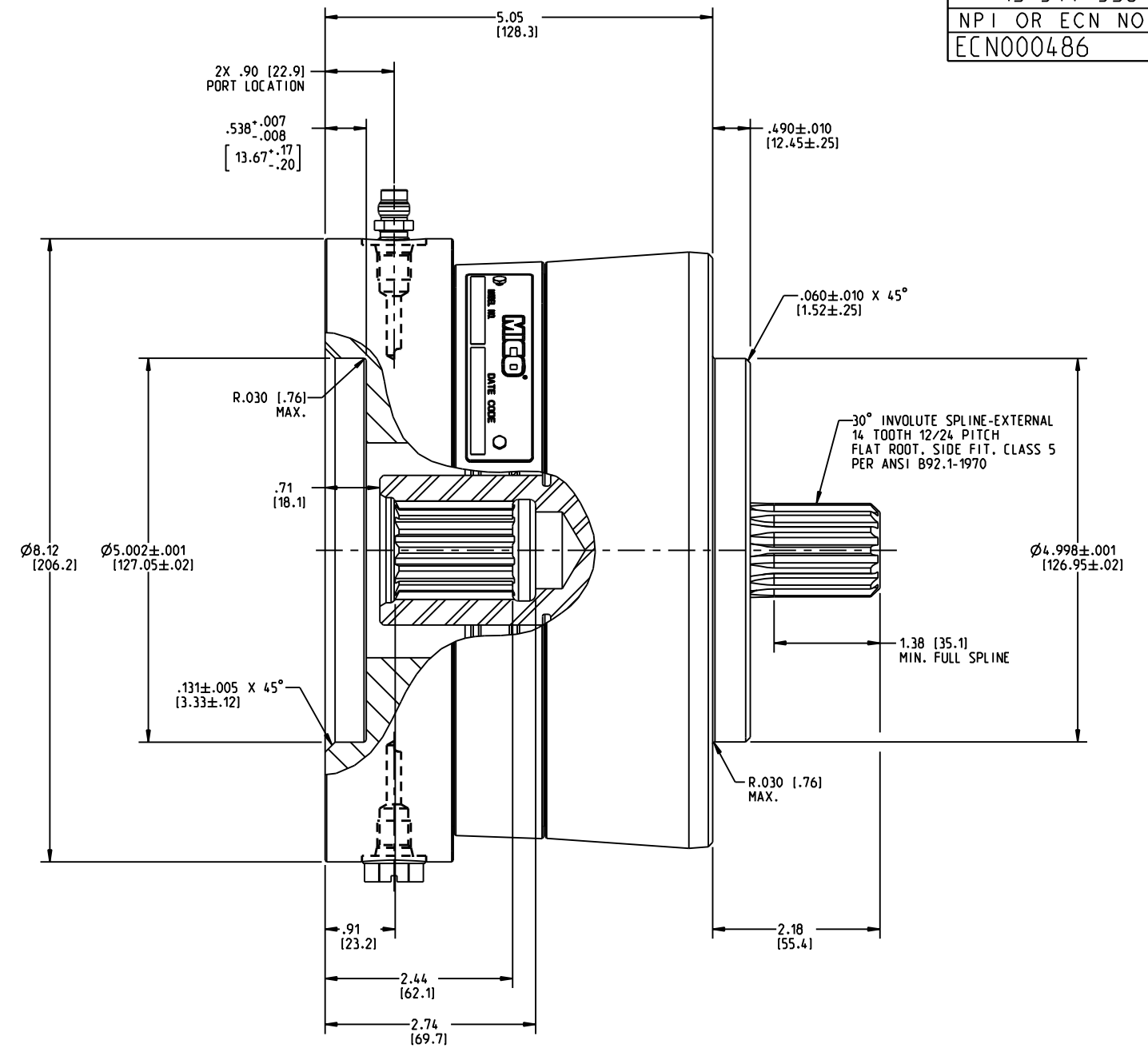
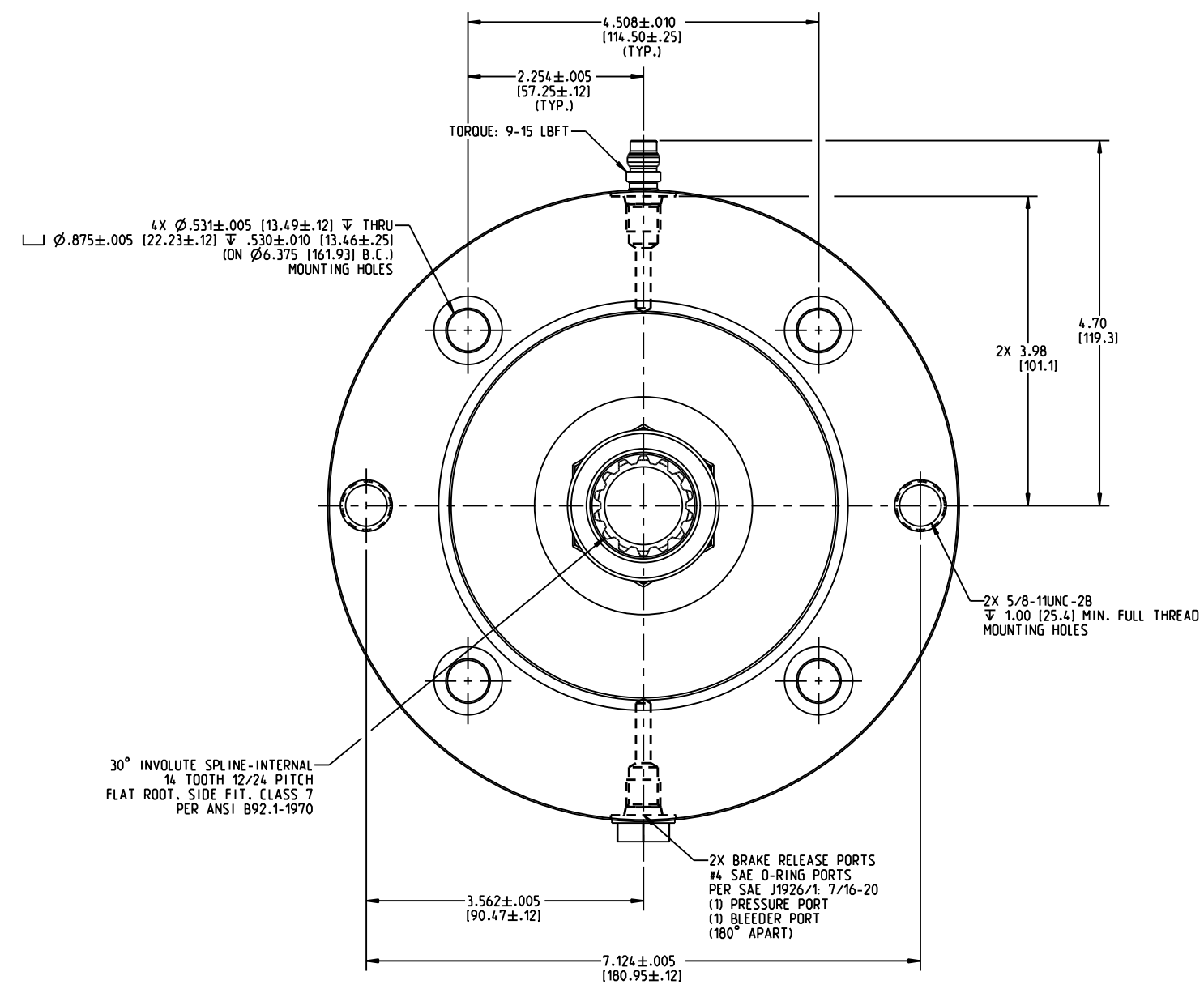


DRAWING NUMBER
13-547-536
NPI OR ECN NO
ECN000486



NOTES:

1. USE MINERAL BASE HYDRAULIC OIL ONLY FOR BRAKE RELEASE.
2. DIMENSIONS WITHOUT TOLERANCES ARE FOR REFERENCES PURPOSES ONLY. MILLIMETER VALUES MAY NOT BE AN EXACT CONVERSION OF INCH VALUES.
3. LINING REPAIR KIT P/N 12-501-448
4. BEARING REPAIR KIT P/N 12-501-484
5. O-RING REPAIR KIT P/N 12-501-483
6. SPRING REPAIR KIT P/N 12-501-450

SPECIFICATIONS:

TYPE: DRY MULTIPLE DISC BRAKE, SPRING APPLY, HYDRAULIC RELEASE

TORQUE RATING : 16,600 LBIN STATIC (BREAKAWAY) AT 0 PSI BACK PRESSURE
4,700 LBIN STATIC (BREAKAWAY) AT 400 PSI BACK PRESSURE
ACTUAL TORQUE MAY VARY BY UP TO 10% DUE TO MANUFACTURING TOLERANCES.

RELEASE PRESSURE: 560 PSI INITIAL, 760 PSI FULL

CONTINUOUS PRESSURE RATING: 5,500 PSI

INTERMITTENT PRESSURE RATING: 6,200 PSI

MAXIMUM SPEED: 3,900 RPM

LINING MATERIAL: SINTERED BRONZE

APPROXIMATE WEIGHT: 40 LB

**INCH
(MILLIMETER)**



COMPONENT AND SYSTEM RECOMMENDATIONS MADE BY MICO, INC ARE BASED ON INFORMATION SUPPLIED BY POTENTIAL USER AND/OR SYSTEM DESIGNER. THE POTENTIAL USER AND/OR DESIGNER MUST MAKE FINAL ACCEPTANCE AND APPROVAL OF COMPONENTS AND SYSTEM AFTER TESTING PERFORMANCE ON AN ACTUAL APPLICATION FOR WHICH SYSTEM WAS DESIGNED.

MICO, INC CLAIMS PROPRIETARY RIGHTS TO THE MATERIAL DISCLOSED IN THIS DOCUMENT. THIS DOCUMENT IS PROVIDED IN CONFIDENCE AND MAY NOT BE REPRODUCED OR DISCLOSED WITHOUT WRITTEN PERMISSION FROM MICO, INC. COPYRIGHT MICO, INC. ALL RIGHTS RESERVED.

SCALE 0.500	TITLE MULTIPLE DISC BRAKE	SIZE	DRAWING NUMBER	REV
DWN RGBS1 2012-10-08	APVD PROD ENGRG PJS 2013-02-28	B	13-547-536	D
X NO 09-3214	APVD ENGRG BLF 2013-02-08		CUSTOMER COPY	