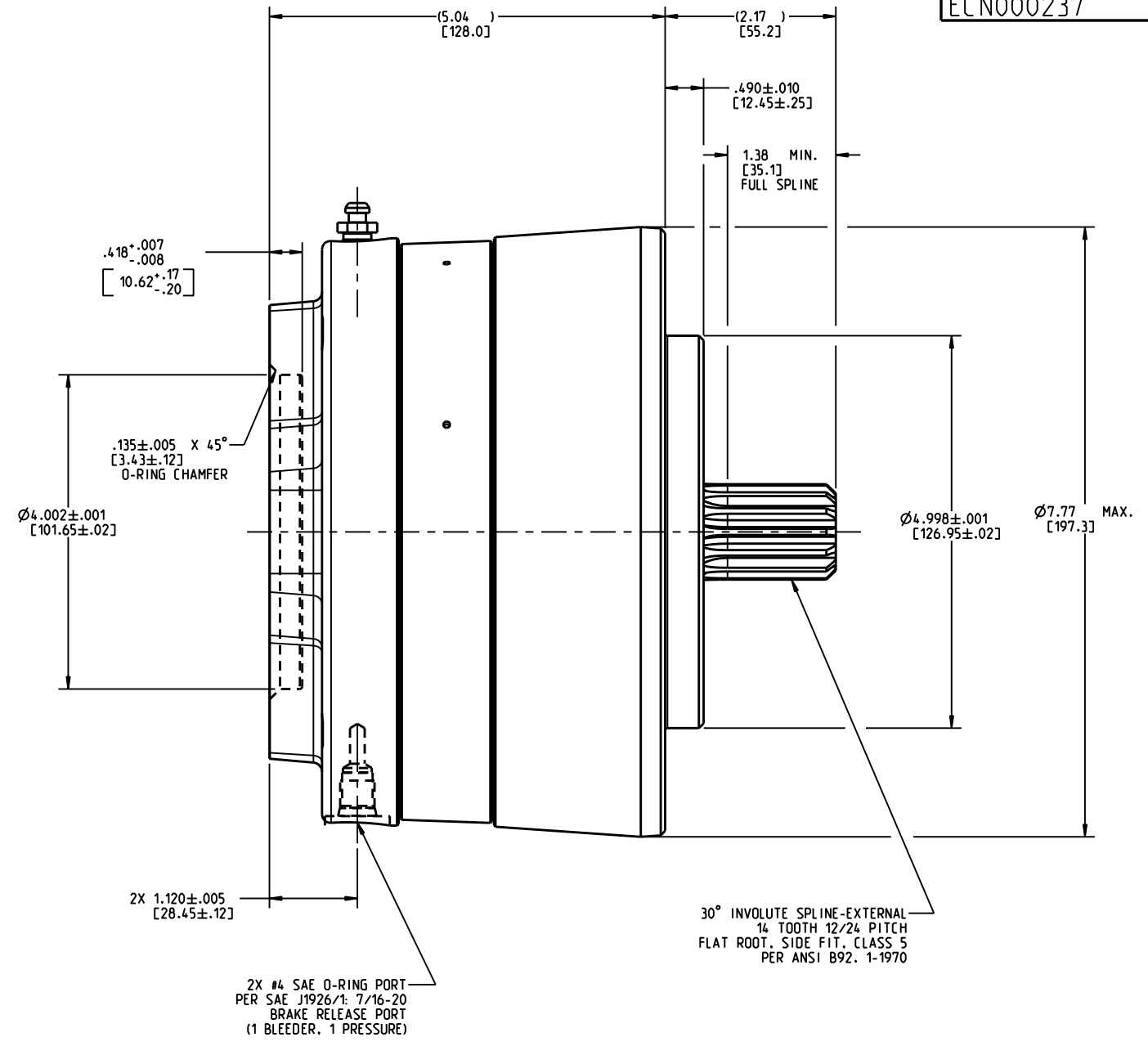
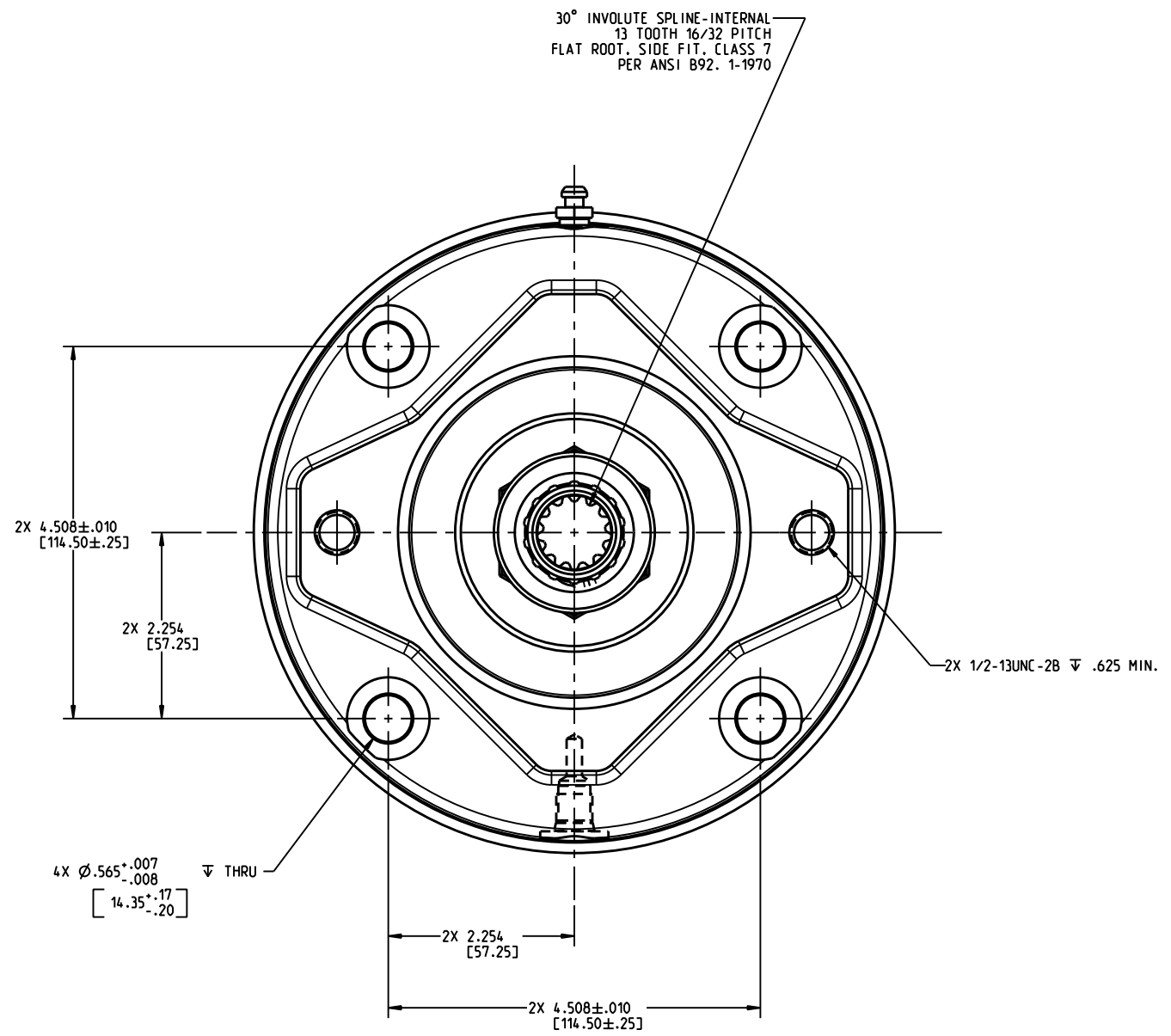


DRAWING NUMBER
13-547-528
NPI OR ECN NO
ECN000237



NOTES:

1. FOR USE WITH MINERAL BASE HYDRAULIC OIL ONLY.
2. DIMENSIONS MAY VARY BETWEEN UNITS AND ARE FOR REFERENCE PURPOSES ONLY. MILLIMETER VALUES MAY NOT BE AN EXACT CONVERSION OF INCH VALUES.
3. LINING REPAIR KIT P/N 12-501-004
4. BEARING REPAIR KIT P/N 12-501-006
5. O-RING REPAIR KIT P/N 12-501-002
6. SPRING REPAIR KIT P/N 12-501-008

SPECIFICATIONS:

TYPE: DRY MULTIPLE DISC BRAKE, SPRING APPLY, HYDRAULIC RELEASE
 TORQUE RATING: 12,000 LBIN STATIC (BREAKAWAY) AT 0 PSI BACK PRESSURE
 RELEASE PRESSURE: 180 PSI INITIAL, 280 PSI FULL
 MAXIMUM OPERATING PRESSURE: 3000 PSI
 MAXIMUM SPEED: 3900 RPM'S
 LINING MATERIAL: SINTERED BRONZE
 APPROXIMATE WEIGHT: 40 LBS

INCH
[MILLIMETER]



COMPONENT AND SYSTEM RECOMMENDATIONS MADE BY MICO, INC ARE BASED ON INFORMATION SUPPLIED BY POTENTIAL USER AND/OR SYSTEM DESIGNER. THE POTENTIAL USER AND/OR DESIGNER MUST MAKE FINAL ACCEPTANCE AND APPROVAL OF COMPONENTS AND SYSTEM AFTER TESTING PERFORMANCE ON AN ACTUAL APPLICATION FOR WHICH SYSTEM WAS DESIGNED.		MICO, INC CLAIMS PROPRIETARY RIGHTS TO THE MATERIAL DISCLOSED IN THIS DOCUMENT. THIS DOCUMENT IS PROVIDED IN CONFIDENCE AND MAY NOT BE REPRODUCED OR DISCLOSED WITHOUT WRITTEN PERMISSION FROM MICO, INC. COPYRIGHT MICO, INC. ALL RIGHTS RESERVED.	
SCALE 0.500	TITLE MULTIPLE DISC BRAKE 3C-141312-B	SIZE B	DRAWING NUMBER 13-547-528 CUSTOMER COPY
DWN JJH 2009-03-19	APVD PROD ENGRG PJS 2009-07-06	REV B	REV B
X NO X08-2141-000	APVD ENGRG RV 2009-05-04		