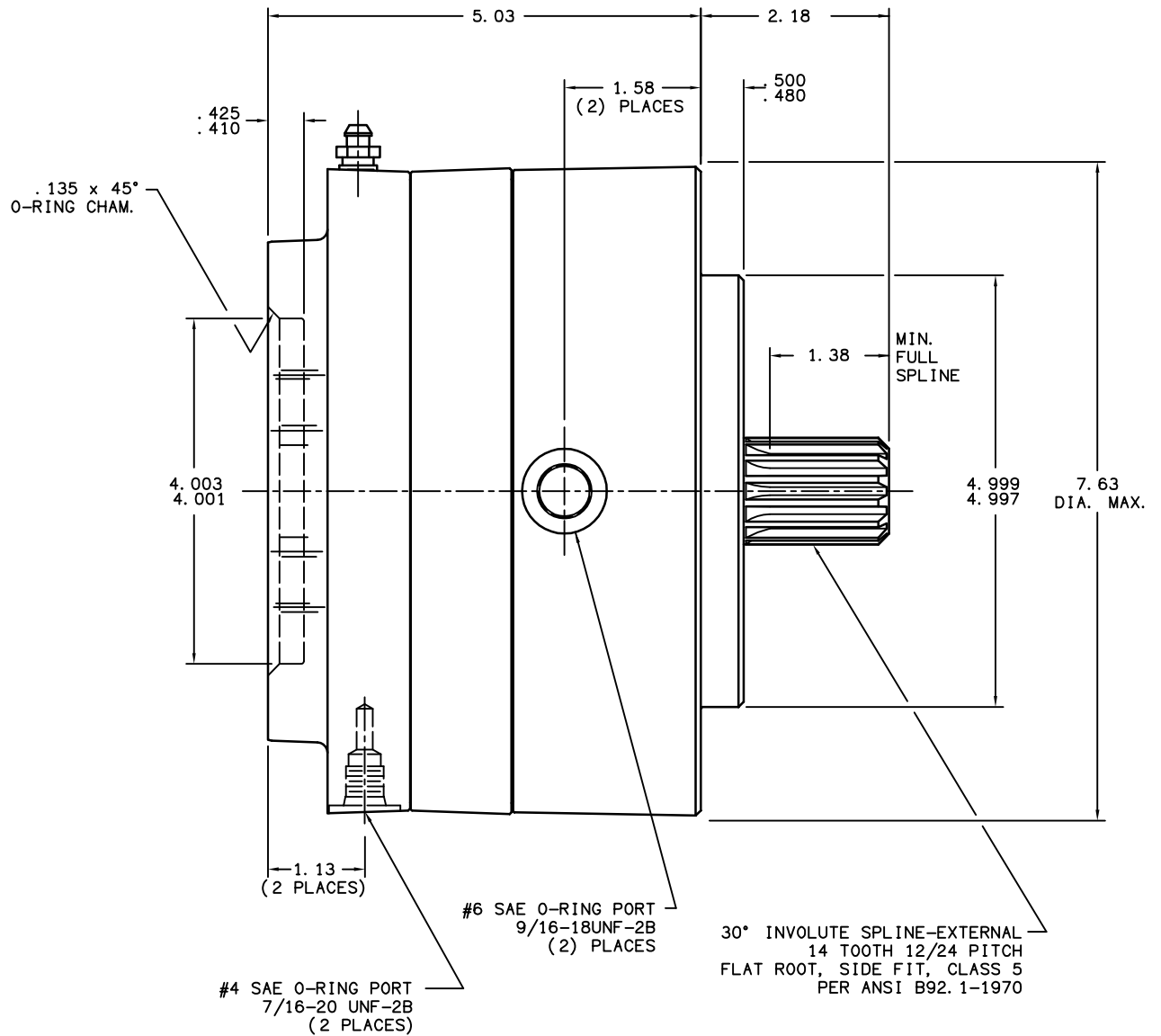
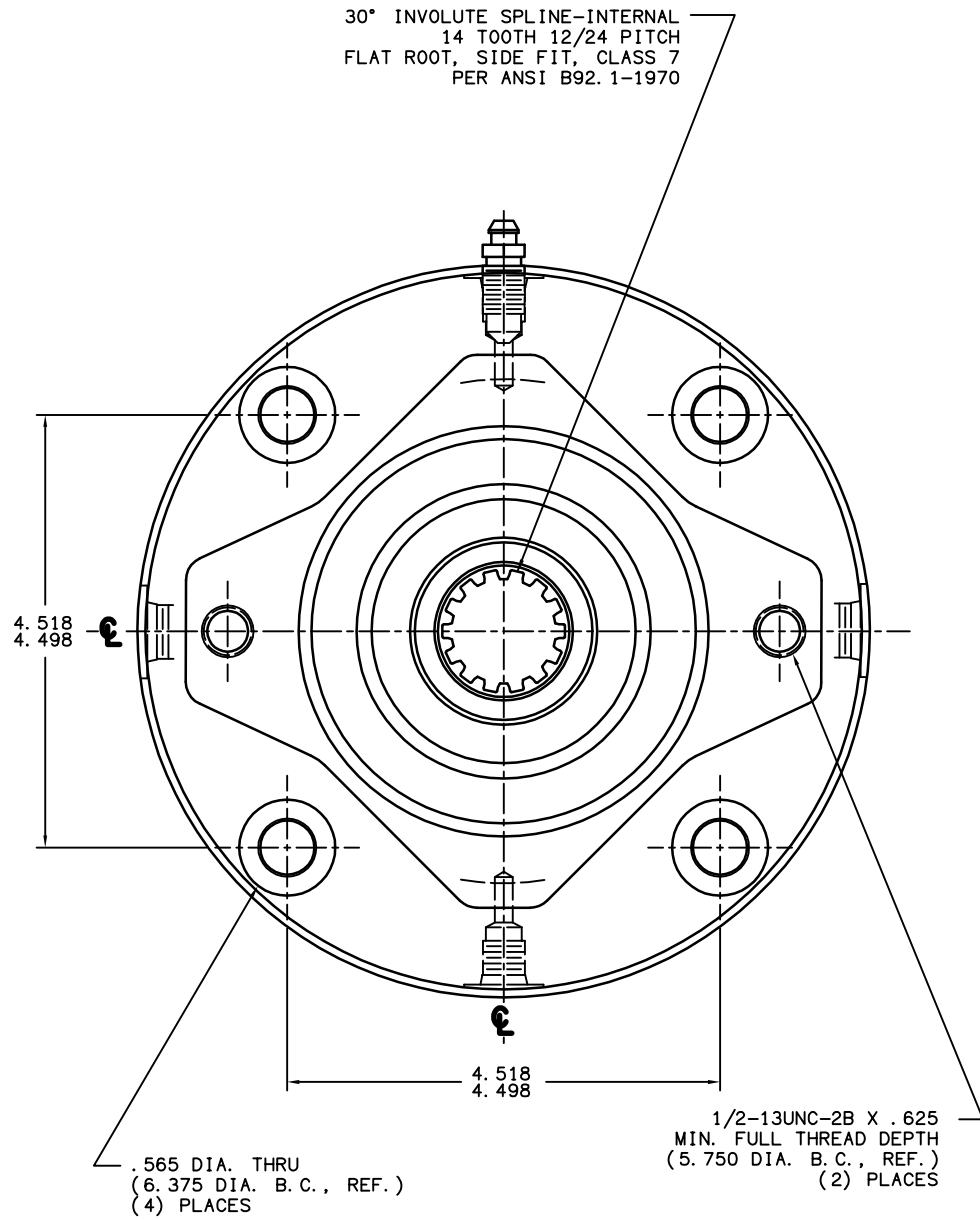


PART NUMBER
13-547-472
NPI OR ECN NO.
ECO S-1686



NOTES:

- 1.) LINING REPAIR KIT P/N 12-501-004
- 2.) BEARING REPAIR KIT P/N 12-501-006
- 3.) O-RING REPAIR KIT P/N 12-501-002
- 4.) SPRING REPAIR KIT P/N 12-501-008

SPECIFICATIONS:

TYPE:	WET MULTIPLE DISC BRAKE, SPRING APPLY, HYDRAULIC RELEASE
TORQUE RATING:	WET 5,300 IN. LBS. STATIC (BREAKAWAY) AT 0 P.S.I. BACK PRESSURE DRY 8,000 IN. LBS DRY TORQUE FOR BRAKE RATING & SPECIFICATIONS ONLY
RELEASE PRESSURE:	180 P.S.I. INITIAL, 250 P.S.I. FULL
MAXIMUM OPERATING PRESSURE:	3,000 P.S.I.
MAXIMUM SPEED:	3,900 R.P.M.
APPROXIMATE WEIGHT:	38 LBS.
FOR USE WITH MINERAL BASE HYDRAULIC OIL ONLY	

COOLING OIL RECOMMENDATIONS:

OIL TYPE: MINERAL BASE HYDRAULIC OIL SUCH AS MOBIL DTE 24, CITGO A/W 32 OR EQUIVALENT

FLOW THRU CAPACITY: 1.0 - 7.0 GPM

MAXIMUM CASE PRESSURE: 15 PSI

SUMP OIL VOLUME:
HORIZONTAL: 4 FL. OZ.
VERTICAL: CONTACT FACTORY



COMPONENT AND SYSTEM RECOMMENDATIONS MADE BY MICO, INC. ARE BASED ON INFORMATION SUPPLIED BY POTENTIAL USER AND/OR SYSTEM DESIGNER. THE POTENTIAL USER AND/OR DESIGNER MUST MAKE FINAL ACCEPTANCE AND APPROVAL OF COMPONENTS AND SYSTEM AFTER TESTING PERFORMANCE ON AN ACTUAL APPLICATION FOR WHICH SYSTEM WAS DESIGNED.

MICO, INC. CLAIMS PROPRIETARY RIGHTS TO THE MATERIAL DISCLOSED IN THIS DOCUMENT. THIS DOCUMENT IS PROVIDED IN CONFIDENCE AND MAY NOT BE REPRODUCED OR DISCLOSED WITHOUT WRITTEN PERMISSION FROM MICO, INC. COPYRIGHT MICO, INC. ALL RIGHTS RESERVED.

TITLE		MULTIPLE DISC BRAKE 3C-141480-BZ	
SCALE 1:2	CHECKED G. J. 03/07/03	PART NUMBER 13-547-472	REV B
DRN RAMOS 6/27/00	APP ENG GAA 03/06/03	CUSTOMER COPY	