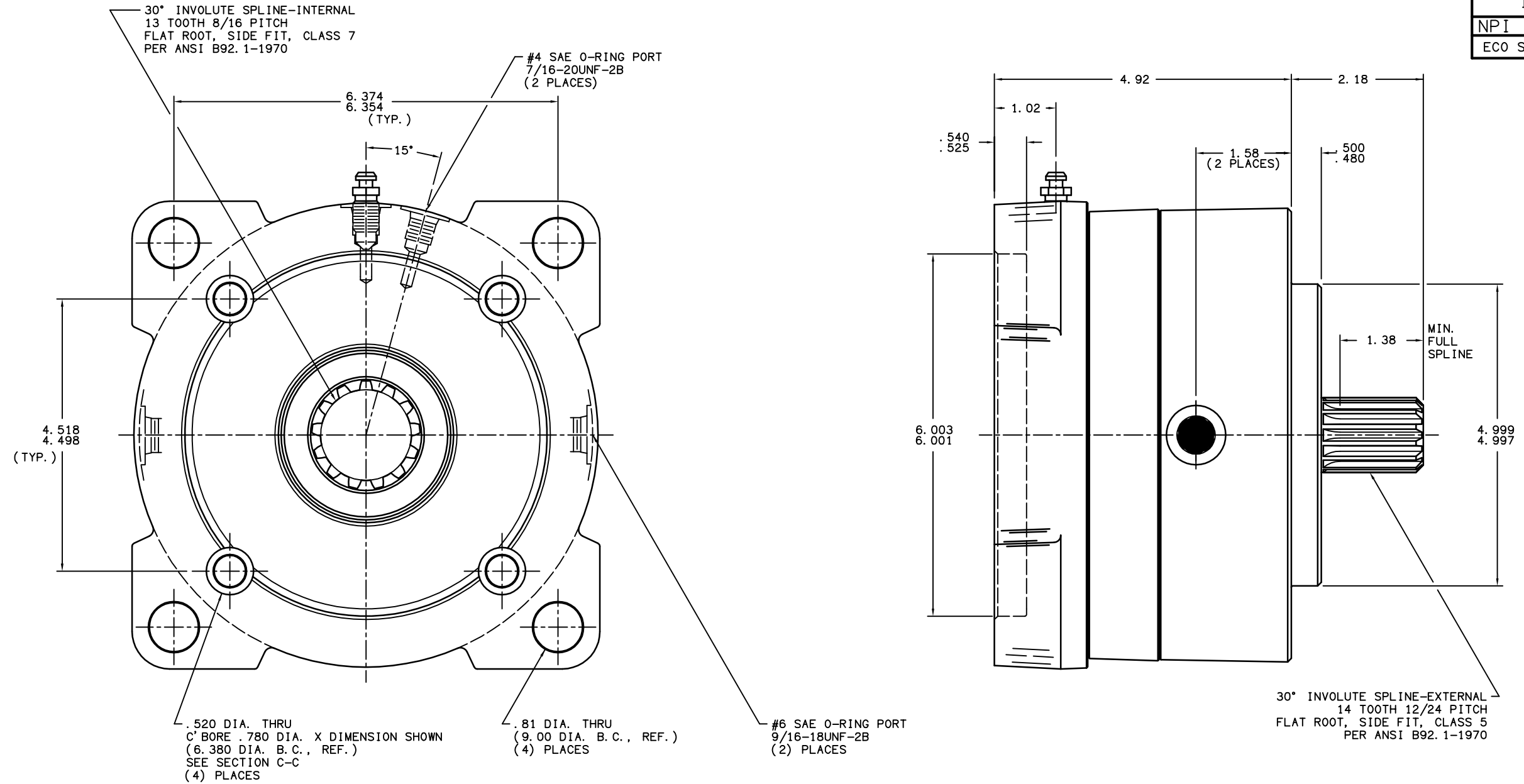


PART NUMBER  
13-547-434  
NPI OR ECN NO.  
ECO S-1686



**NOTES:**

- 1.) LINING REPAIR KIT P/N 12-501-222
- 2.) BEARING REPAIR KIT P/N 12-501-357
- 3.) O-RING REPAIR KIT P/N 12-501-356
- 4.) SPRING REPAIR KIT P/N 12-501-221

**SPECIFICATIONS:**

**TYPE:** WET MULTIPLE DISC BRAKE, SPRING APPLY, HYDRAULIC RELEASE

**TORQUE RATING:** WET 6,500 LB-IN STATIC (BREAKAWAY) AT 0 PSI BACK PRESSURE  
DRY 9,800 LB-IN DRY TORQUE FOR BRAKE RATING & SPECIFICATIONS ONLY

**RELEASE PRESSURE:** 210 PSI INITIAL, 290 PSI FULL

**MAXIMUM OPERATING PRESSURE:** 3,000 PSI

**MAXIMUM SPEED:** 3,900 RPM

**LINING MATERIAL:** SINTERED BRONZE

**APPROXIMATE WEIGHT:** 50 LBS.

FOR USE WITH MINERAL BASE HYDRAULIC OIL ONLY.

**COOLING OIL RECOMMENDATIONS:**

**OIL TYPE:** MINERAL BASE HYDRAULIC OIL SUCH AS MOBIL DTE 24, CITGO A/W 32 OR EQUIVALENT

**FLOW THRU CAPACITY:** 1.0 - 7.0 GPM

**MAXIMUM CASE PRESSURE:** 15 PSI

**SUMP OIL VOLUME:** HORIZONTAL: 4 FL. OZ.  
VERTICAL: CONTACT FACTORY



North Mankato, Minnesota U.S.A.

COMPONENT AND SYSTEM RECOMMENDATIONS MADE BY MICO, INC. ARE BASED ON INFORMATION SUPPLIED BY POTENTIAL USER AND/OR SYSTEM DESIGNER. THE POTENTIAL USER AND/OR DESIGNER MUST MAKE FINAL ACCEPTANCE AND APPROVAL OF COMPONENTS AND SYSTEM AFTER TESTING PERFORMANCE ON AN ACTUAL APPLICATION FOR WHICH SYSTEM WAS DESIGNED.

MICO, INC. CLAIMS PROPRIETARY RIGHTS TO THE MATERIAL DISCLOSED IN THIS DOCUMENT. THIS DOCUMENT IS PROVIDED IN CONFIDENCE AND MAY NOT BE REPRODUCED OR DISCLOSED WITHOUT WRITTEN PERMISSION FROM MICO, INC. COPYRIGHT MICO, INC. ALL RIGHTS RESERVED.

TITLE		MULTIPLE DISC BRAKE 3C-141398-DZ	
SCALE 1:2	CHECKED G. J. 03/07/03	PART NUMBER 13-547-434	REV B
DRNRAMOS 1/24/00	APP ENG GAA 03/06/03	CUSTOMER COPY	