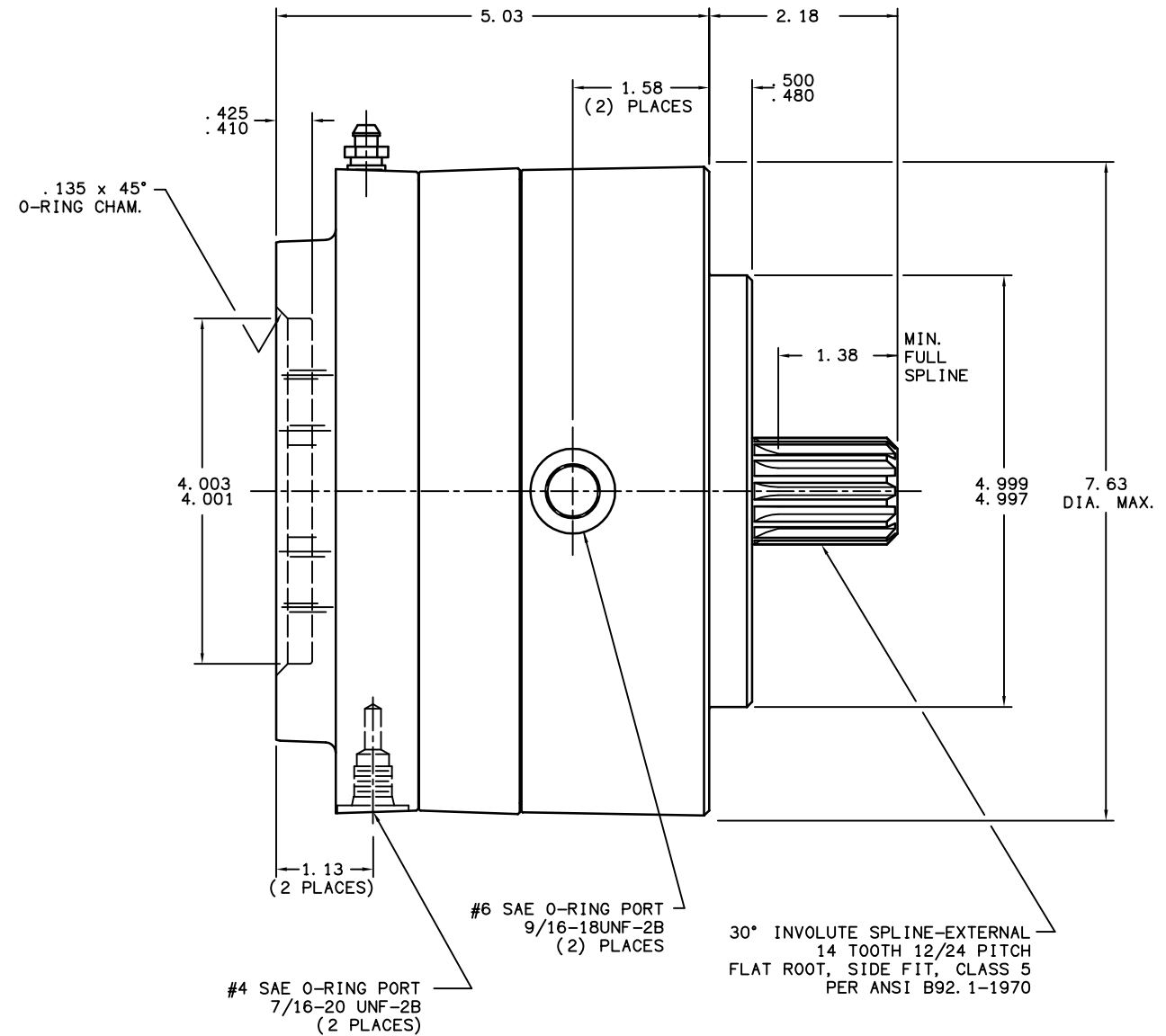
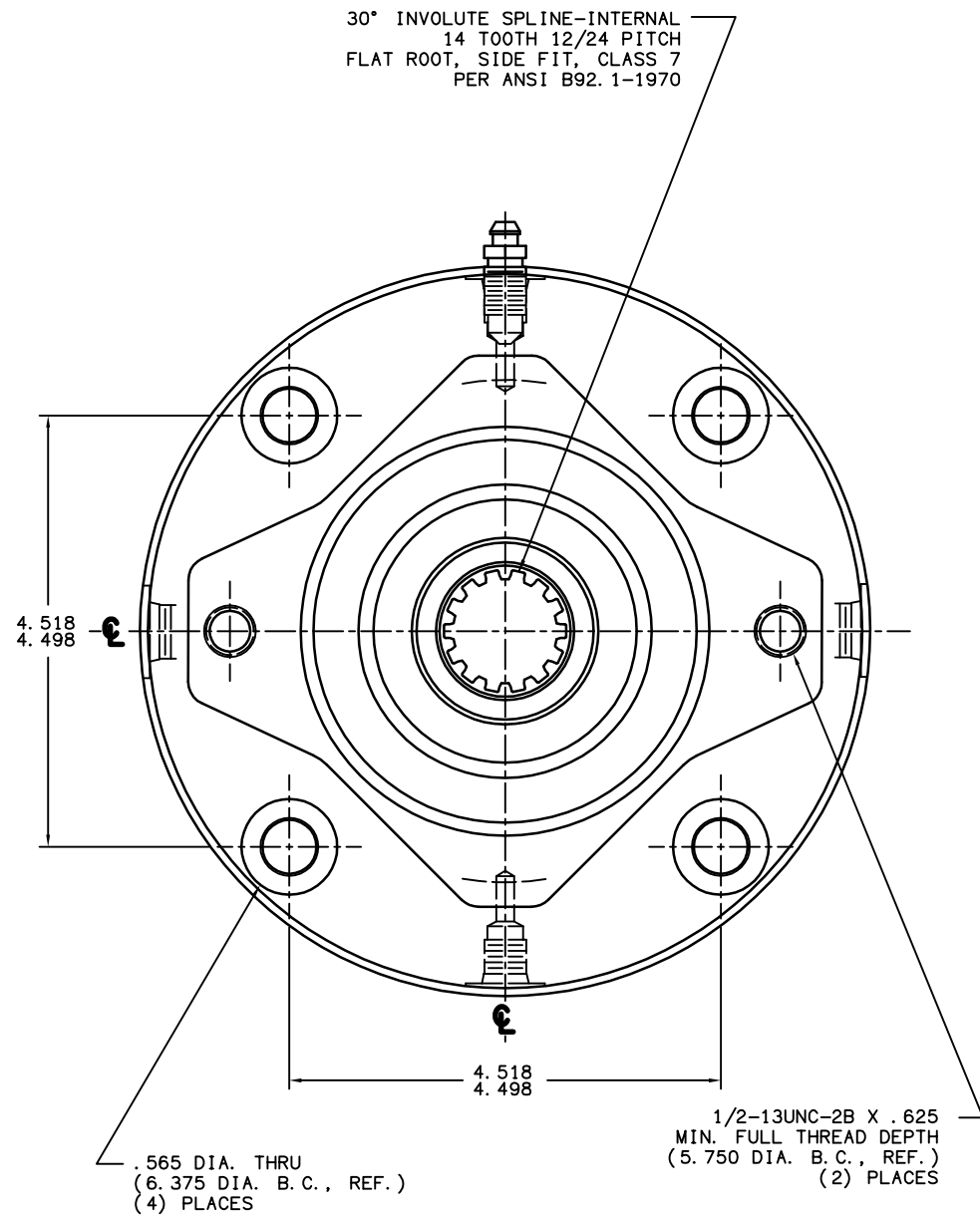


PART NUMBER  
13-547-298  
NPI OR ECN NO.  
ECO S-1686



**NOTES:**

- 1.) LINING REPAIR KIT P/N 12-501-004
- 2.) BEARING REPAIR KIT P/N 12-501-006
- 3.) O-RING REPAIR KIT P/N 12-501-002
- 4.) SPRING REPAIR KIT P/N 12-501-008

**SPECIFICATIONS:**

TYPE: WET MULTIPLE DISC BRAKE, SPRING APPLY, HYDRAULIC RELEASE

TORQUE RATING: WET 3600 IN. LBS. STATIC (BREAKAWAY) AT 0 P. S. I. BACK PRESSURE  
DRY 5500 IN. LBS DRY TORQUE FOR BRAKE RATING & SPECIFICATIONS ONLY

RELEASE PRESSURE: 130 P. S. I. INITIAL, 170 P. S. I. FULL

MAXIMUM OPERATING PRESSURE: 3,000 P. S. I.

MAXIMUM SPEED: 3,900 R. P. M.

APPROXIMATE WEIGHT: 38 LBS.

FOR USE WITH MINERAL BASE HYDRAULIC OIL ONLY

**COOLING OIL RECOMMENDATIONS:**

OIL TYPE: MINERAL BASE HYDRAULIC  
OIL SUCH AS MOBIL DTE 24,  
CITGO A/W 32 OR EQUIVALENT

FLOW THRU CAPACITY: 1.0 - 7.0 GPM

MAXIMUM CASE PRESSURE: 15 PSI

SUMP OIL VOLUME:  
HORIZONTAL: 4 FL. OZ.  
VERTICAL: CONTACT FACTORY



North Mankato, Minnesota U.S.A.

TITLE MULTIPLE DISC BRAKE  
3C-141455-BZ

COMPONENT AND SYSTEM RECOMMENDATIONS MADE BY MICO, INC. ARE BASED ON INFORMATION SUPPLIED BY POTENTIAL USER AND/OR SYSTEM DESIGNER. THE POTENTIAL USER AND/OR DESIGNER MUST MAKE FINAL ACCEPTANCE AND APPROVAL OF COMPONENTS AND SYSTEM AFTER TESTING PERFORMANCE ON AN ACTUAL APPLICATION FOR WHICH SYSTEM WAS DESIGNED.

MICO, INC. CLAIMS PROPRIETARY RIGHTS TO THE MATERIAL DISCLOSED IN THIS DOCUMENT. THIS DOCUMENT IS PROVIDED IN CONFIDENCE AND MAY NOT BE REPRODUCED OR DISCLOSED WITHOUT WRITTEN PERMISSION FROM MICO, INC. COPYRIGHT MICO, INC. ALL RIGHTS RESERVED.

SCALE 1:2	CHECKED G. J. 03/07/03	PART NUMBER 13-547-298	REV D
DRN G. J. 9/30/98	APP ENG GAA 03/06/03	CUSTOMER COPY	