



Installation and Service Instructions

READ GENERAL INSTALLATION GUIDELINES (FORM NO. 81-600-001) BEFORE PROCEEDING

The Surge Brake Lockout System may be installed for semi-automatic application or manual control from the drivers seat.

MOUNTING LOCKOUT SYSTEM

1. Select a suitable location close to surge brake master cylinder. Drill a 13/32 inch diameter hole in trailer frame rail. Deburr and scrape paint away so a good ground can be obtained when lockout system is mounted.
2. Before installing lockout system make sure accumulator assembly is tight. Install adapters to match trailer brake tube size. **NOTE: Support adapters with tube nuts to avoid distorting threads.**
3. Mount lockout system using a 3/8-16UNC bolt of suitable length. Bolt must pass thru frame, mounting bracket, washer and nut.
4. Disconnect brake tube from surge brake master cylinder and reform so that it can be connected to outlet of lockout system.
5. Using a new length of factory flared brake tube, connect outlet of surge brake master cylinder and inlet of lockout system.
6. To bleed, loosen screw on top of accumulator and stroke master cylinder to fill accumulator with fluid. Before releasing pressure on master cylinder, tighten bleeder screw on top of accumulator. After bleeding accumulator, bleed trailer brake system in accordance with trailer manufacturer's instructions.

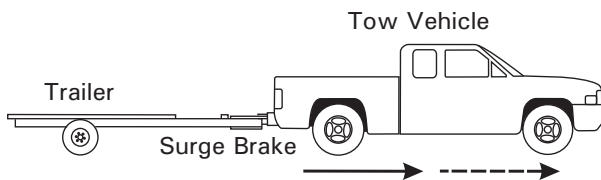


FIGURE 1

LEVEL GROUND

Tow vehicle and trailer stopped. Tow vehicle inches forward before backing, relieving pressure on surge brake, then shifts to reverse (automatic model). No brake pressure to trailer due to lockout.

ELECTRICAL CONNECTIONS

1. **For Semi Automatic Operation** - using a suitable connector between trailer and tow vehicle, connect coil on lockout system to backup lamp circuit of tow vehicle.
2. **For Manual Operation** - using a suitable connector between trailer and tow vehicle connect coil on lockout system to manual switch on dashboard. Connect other side of switch thru a 10 amp fuse to battery. **NOTE: Warning lamp is wired in parallel with switch to show lockout is in use.**

CAUTION

Before trailering, make sure switch is in **OFF** position, otherwise trailer brakes will be inoperative.

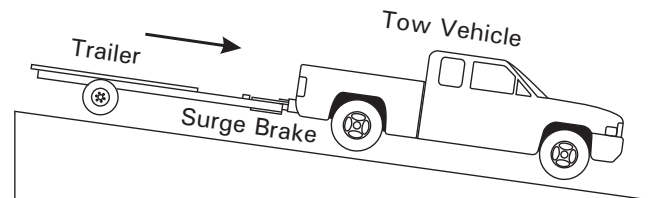


FIGURE 2

DOWN HILL

Tow vehicle and trailer stopped. Lockout applied. Trailer will still have pressure due to surge brake. The only way to release pressure is to chock trailer wheel, inch tow vehicle forward, lockout, then back up.

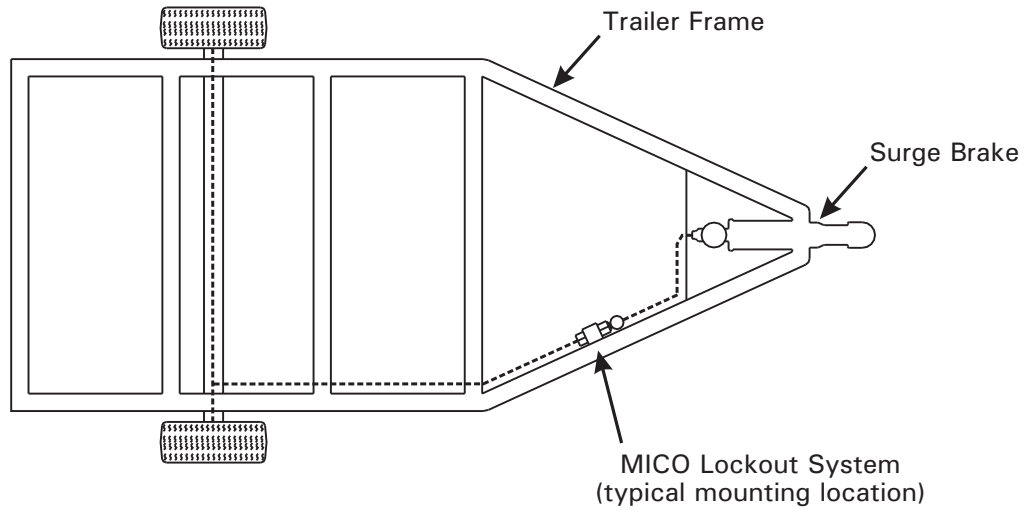


FIGURE 3

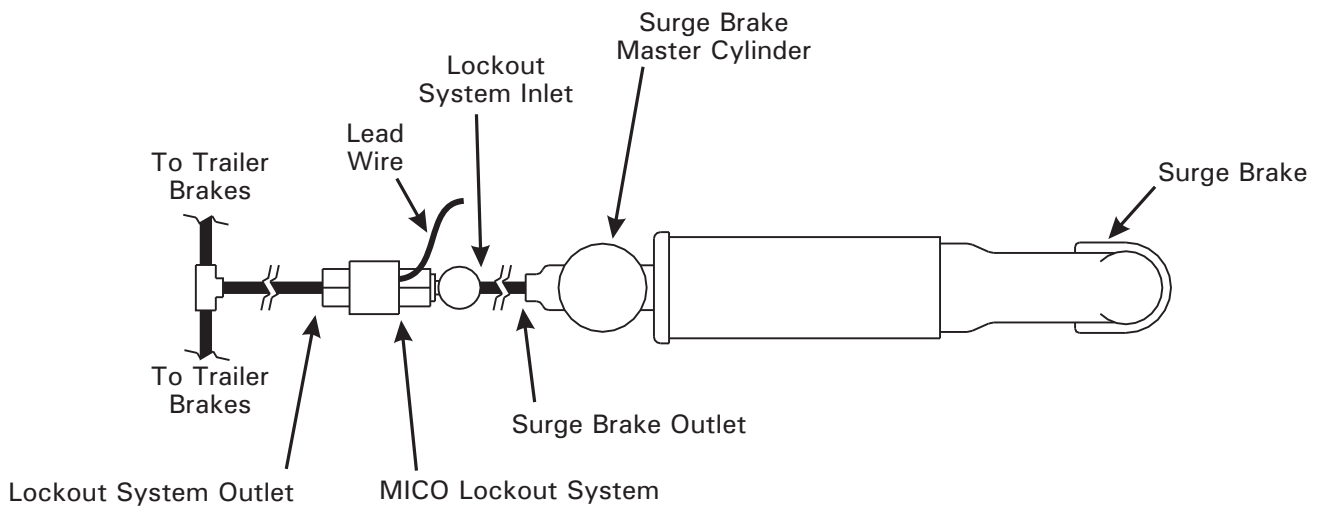


FIGURE 4

This publication is not subject to any update service. Information contained in this publication was in effect at the time the publication was approved for printing and is subject to change without notice or liability. ZF Off-Highway Solutions Minnesota Inc. reserves the right to revise the information presented or to discontinue the production of parts described at any time.



ZF Off-Highway Solutions Minnesota Inc.
 1911 Lee Boulevard / North Mankato, MN U.S.A. 56003
Tel: +1 507 625 6426 **Fax:** +1 507 625 3212