

Remote Actuator



Service Instructions

DISASSEMBLY

1. Disconnect necessary fluid lines. Drain fluid from the actuator and remove from the machine.
2. Separate end cap (7), housing (10), and end cap (19) by removing four cap screws (1) and four washers (2). Remove spring (11).
3. Remove o-ring (9) from end cap (19). Remove o-ring (9) from end cap (7).
4. Remove end plug (3) and bleeder (8) from end cap (7). Remove retainer (6), seat (5), and o-ring (4) from end plug (3).
5. Remove piston assembly (12) from housing (10).
6. Remove retaining ring (13), stem (14), and spring (15) from piston (16).
7. Remove o-ring (18) and cup (17) from piston (16). Note direction of cup (17).

ASSEMBLY

LUBRICATE ALL COMPONENTS FROM THE REPAIR KIT WITH CLEAN TYPE FLUID USED IN THE SYSTEM.

1. Thoroughly clean housing bore and all parts in clean system fluid.
2. Install new o-ring (4), new seat (5), and new retainer (6) on end plug (3). Torque retainer (6) 12.2-20.3 N·m (9-15 lb·ft).

3. Install end plug (3) in end cap (7) and torque 54.2-61.0 N·m (40-45 lb·ft).
 4. Install new o-ring (9) on end cap (7) and new o-ring (9) on end cap (19).
 5. Install spring (15), stem (14), and retaining ring (13) in piston (16).
 6. Install new cup (17) and new o-ring (18) on piston (16). Note direction of cup (17).
 7. Install piston assembly (12) in housing (10) bore from end cap (7) side. Install spring (11) in housing (10).
 8. Use four cap screws (1) and four washers (2) to assemble end cap (7), housing (10), and end cap (19). Torque cap screws (1) 24.4- 29.8 N·m (18-22 lb·ft).
 9. Install bleeder screw (8) in end cap (7) and torque 10.8-16.3 N·m (8-12 lb·ft).
 10. Install actuator on machine. Connect fluid lines. Bleed system of air. Torque bleeder screw (8) 10.8-16.3 N·m (8-12 lb·ft). Tighten fittings if leaks occur. Make several applications to be sure actuator is working properly.
- NOTE: All fittings must be inspected for leaks and tightened if leaks occur.**

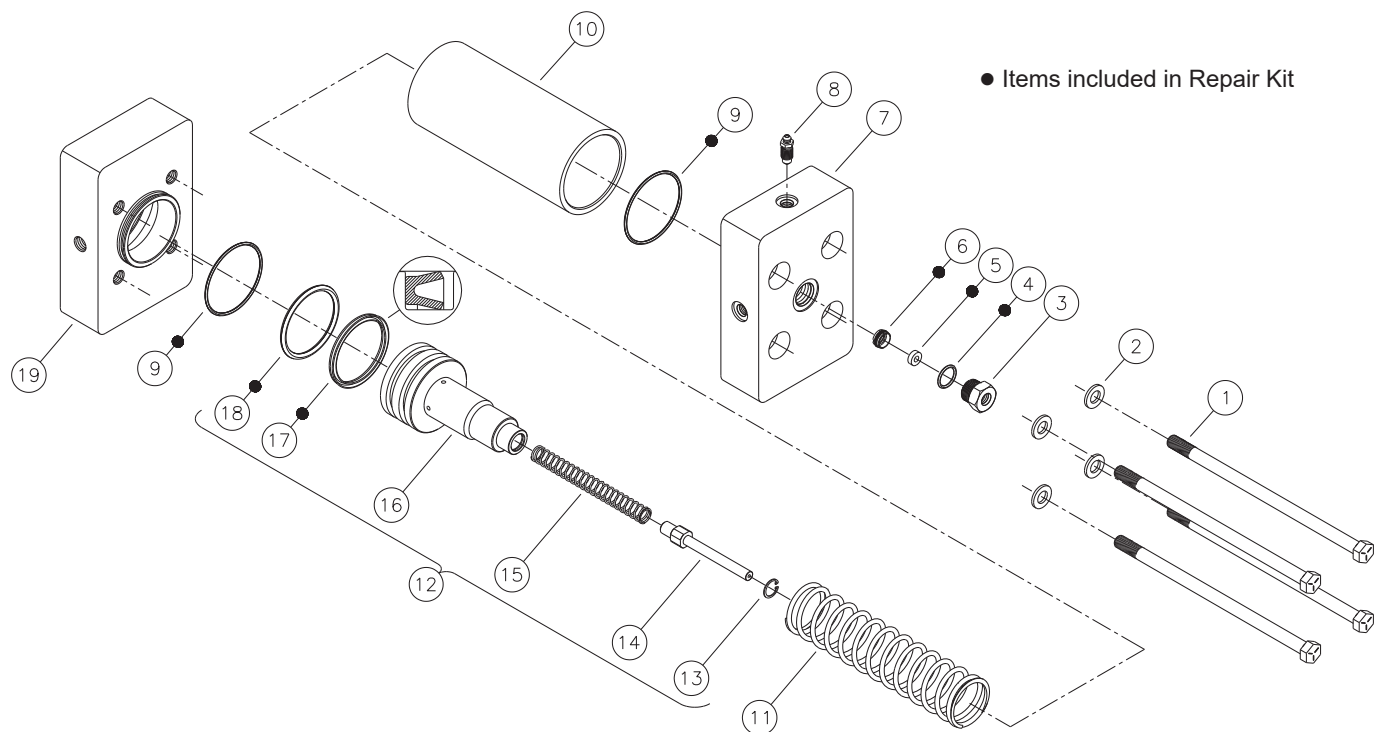


FIGURE 1

This publication is not subject to any update service. Information contained in this publication was in effect at the time the publication was approved for printing and is subject to change without notice or liability. ZF Off-Highway Solutions Minnesota Inc. reserves the right to revise the information presented or to discontinue the production of parts described at any time.



ZF Off-Highway Solutions Minnesota Inc.
1911 Lee Boulevard / North Mankato, MN U.S.A. 56003
Tel: +1 507 625 6426 **Fax:** +1 507 625 3212