

MASTER CYLINDER



Service Instructions

DISASSEMBLY

1. Remove the master cylinder from vehicle. Do not attempt to repair the master cylinder while it is on the vehicle. Drain fluid from the master cylinder.
2. Remove push rod (13) and boot (12) from housing (18).
3. Remove end plug (1) from housing (18).

⚠ CAUTION

End plug (1) is under spring (8) tension.

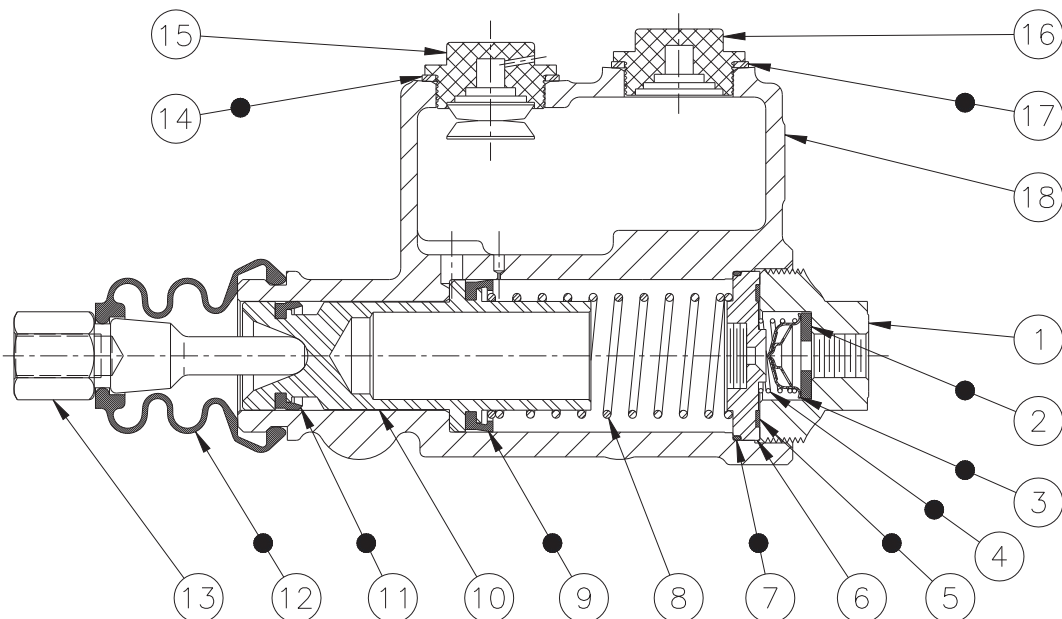
4. Seat (2), check valve (3), spring (4), retainer (6), and spring (8) should follow end plug out of housing (18) bore.
5. Carefully remove piston (10) from housing (18) bore. Use a wooden dowel to push piston (10) out the end plug (1) end of housing (18).
6. Remove cups (9 & 11) from piston (10). **NOTE: Be careful not to scratch or mar piston (10).**
7. Remove o-ring (7) and seal (5) from retainer (6). **NOTE: O-ring (7) may have remained in housing (18) bore. Be careful not to scratch or mar housing bore while removing o-ring (7).**
8. Remove filler caps (15 & 16) and gaskets (14 & 17) from housing (18).

ASSEMBLY

LUBRICATE ALL RUBBER COMPONENTS FROM REPAIR KIT WITH CLEAN SYSTEM FLUID.

1. Install new cups (9 & 11) on piston (10). Note direction of cups. **NOTE: Care must be taken so as not to scratch or mar piston.**
2. Carefully install piston (10) into housing (18) bore. Note direction of piston.
3. Install spring (8) into housing (18) bore. Spring (8) should fit around piston (10).
4. Install new o-ring (7) into housing (18) bore.
5. Install new seal (5) on retainer (6). Position retainer (6) on spring (8). Note direction of retainer (6).
6. Lubricate the threads on end plug (1). Assemble new spring (4), new check valve (3), and new seat (2) in the correct order between retainer (6) and end plug (1).
7. Carefully guide retainer (6) into housing bore and start end plug (1) threads by hand. Tighten end plug (1) to approximately 67.8-108.5 N·m (50-80 ft·lb).
8. Install new gaskets (14 & 17) and filler plugs (15 & 16) on housing (18). Take note of filler plug locations.
9. Install new boot (12) and push rod (13).

● Items included in Repair Kit 02-001-167



This publication is not subject to any update service. Information contained in this publication was in effect at the time the publication was approved for printing and is subject to change without notice or liability. ZF Off-Highway Solutions Minnesota Inc. reserves the right to revise the information presented or to discontinue the production of parts described at any time.

