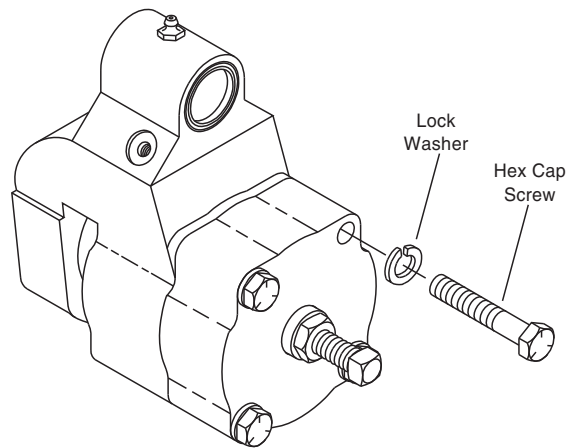


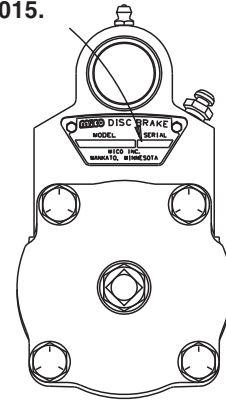
530 Series Spring Brakes

SERVICE BULLETIN

MICO®



Note Date Code location.
Affected brakes will have a
date code between 00 C 000
and 02 C 015.



Conversion Kit Number 02-500-232

This service bulletin is intended to provide instructions for replacing the four housing assembly hex cap screws with new hex cap screws provided in conversion kit 02-500-232.

Clean the exterior area of the 530 Caliper Brake where the heads of the four hex cap screws are located.

Remove hydraulic pressure from the brake before removing screws.

CONVERSION INSTRUCTIONS

⚠ CAUTION

Housing cover is under spring tension. It is very important that only one hex cap screw is removed and replaced at any given time.

1. Remove one of the existing hex cap screws and lock washers. Install new lock washer and new hex cap screw from conversion kit. Torque new hex cap screw 29.8-36.6 N·m (22-27 lb·ft).
2. Replace the remaining hex cap screws and lock washers, one at a time, and torque 29.8-36.6 N·m (22-27 lb·ft).

MICO could not possibly know of and give advice with respect to all conceivable applications in which this product may be used and the possible hazards and/or results of each application. MICO has not undertaken any such wide evaluation. Therefore, anyone who uses an application which is not recommended by the manufacturer, first must completely satisfy himself that a danger will not be created by the application selected, or by the particular model of our product that is selected for the application.

MICO has made every attempt to present accurate information in catalogs, brochures and other printed material. MICO can accept no responsibility for errors from unintentional oversights that may exist. Due to a continuous program of product improvement, materials, specifications, and product documentation are subject to change without notice or obligation.

MICO is a registered trademark of MICO, Inc. MICO is registered in the U.S. Patent and Trademark Office as well as in Australia, Canada, Indonesia, Japan, Peoples Republic of China, South Korea, and the European Community.

MICO®

Innovative Braking and Controls Worldwide

MICO, Incorporated

1911 Lee Boulevard / North Mankato, MN U.S.A. 56003-2507

Tel: +1 507 625 6426 Fax: +1 507 625 3212