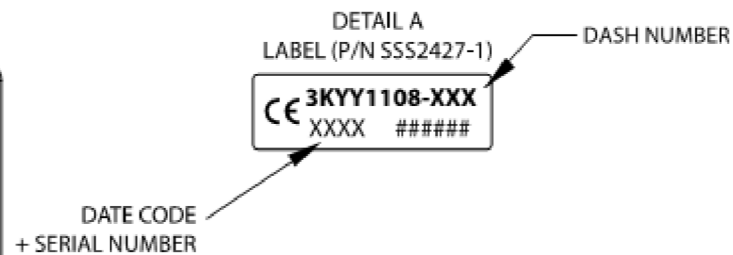
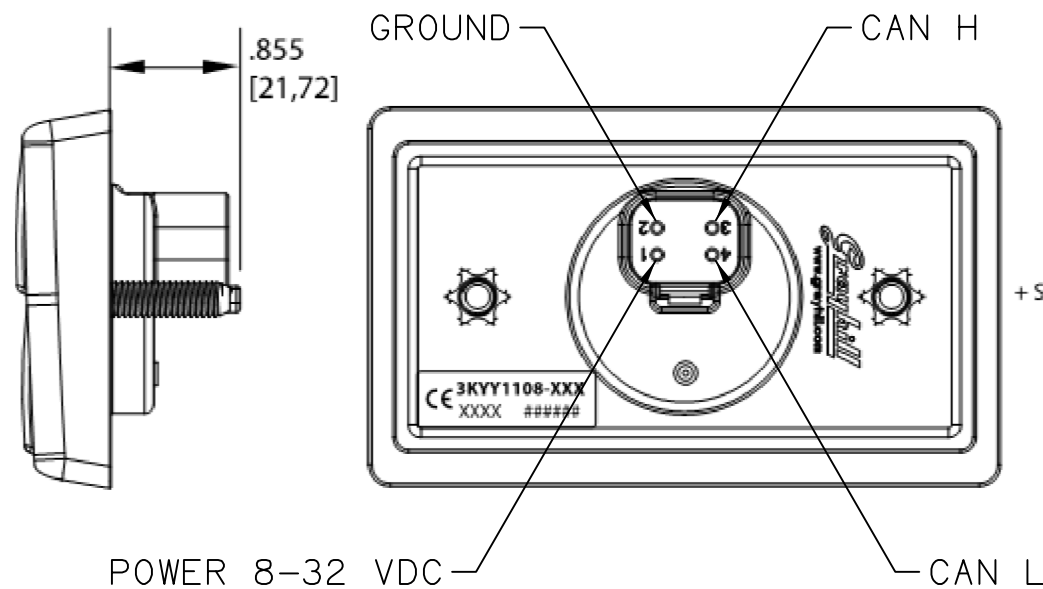


PANEL CUTOUT AND MOUNTING INFORMATION
 NOMINAL PANEL/POCKET DIMENSIONS MAY REQUIRE ADJUSTMENT
 BASED UPON MFG TOLERANCE OF CUSTOMER PANEL



INCH
 [MILLIMETER]

NOTES:

1. ALL DIMENSIONS PROVIDED ARE REFERENCE.
2. MOUNTING STUDS ARE M6 X 1.0 MM, 2 PLACES AS SHOWN.
3. FRONT VIEW DEPICTING ARTWORK AND INDICATOR COLORS IS FULL SCALE. ARTWORK SHOWN IN NEGATIVE IMAGE. KEYPAD WILL HAVE WHITE LEGENDS ON A BLACK BACKGROUND.

MICO North Mankato, Minnesota USA				
SCALE	TITLE			
	KEYPAD, J1939 CAN, ABS-TC-ESC			
DWN SEYS 9-28-12	APVD PROD ENGRG	SIZE	DRAWING NUMBER	REV
X NO	APVD ENGRG MAN 2012-12-11	B	32-585-069	A
			CUSTOMER COPY	

COMPONENT AND SYSTEM RECOMMENDATIONS MADE BY MICO, INC ARE BASED ON INFORMATION SUPPLIED BY POTENTIAL USER AND/OR SYSTEM DESIGNER. THE POTENTIAL USER AND/OR DESIGNER MUST MAKE FINAL ACCEPTANCE AND APPROVAL OF COMPONENTS AND SYSTEM AFTER TESTING PERFORMANCE ON AN ACTUAL APPLICATION FOR WHICH SYSTEM WAS DESIGNED.

MICO, INC CLAIMS PROPRIETARY RIGHTS TO THE MATERIAL DISCLOSED IN THIS DOCUMENT. THIS DOCUMENT IS PROVIDED IN CONFIDENCE AND MAY NOT BE REPRODUCED OR DISCLOSED WITHOUT WRITTEN PERMISSION FROM MICO, INC. COPYRIGHT MICO, INC. ALL RIGHTS RESERVED.