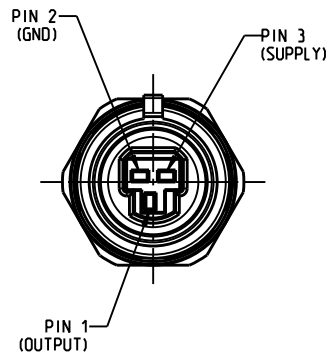
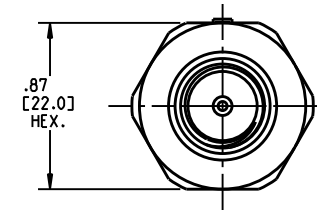
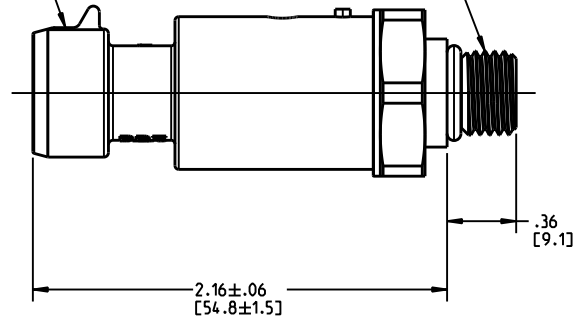


DRAWING NUMBER 32-580-123
NPI OR ECN NO
ECN GG000008



SAE #4 O-RING FITTING 7/16-20UNF
PER SAE J514 OR SAE J1926/3
INCLUDES -904 SIZE 90 DUROMETER
NITRILE O-RING PER SAE J515

METRI-PACK 150 P2S
SERIES CONNECTOR



NOTES:

- 1) PRESSURE RANGE: 0 TO 5000 PSI [345 BAR].
- 2) ACCURACY: $\pm 1\%$ OF FS SPAN PER IEC 61298-2
- 3) REPEATABILITY: $\pm 0.2\%$ OF FS SPAN
- 4) MEDIA COMPATIBILITY: STAINLESS STEEL WITH NITRILE O-RING
- 5) PRESSURE PORTS: SAE 4 PER SAE J1926/3, INCLUDES NITRILE SEAL
- 6) PRESSURE OVERLOAD: 11,600 PSI (800 BAR)
- 7) MIN BURST PRESSURE: 24,650 PSI (1700 BAR)
- 8) LONG TERM STABILITY (1 YEAR): $\pm 0.3\%$ FS SPAN AT REF CONDITIONS
- 9) RECOMMENDED SUPPLY VOLTAGE: 5.0 ± 0.50 VOLTS
- 10) SUPPLY CURRENT: <10 MA
- 11) RATED OUTPUT LOAD: $\geq 4,500$ OHM
- 12) OUTPUT: 0.5 - 4.5 VOLTS, RATIO METRIC TO SUPPLY
- 13) MATING CONNECTOR: DELPHI METRI-PACK 150 P2S THREE-PIN CONNECTOR 12065286
- 14) RESPONSE (10% TO 90%): <2 MSEC
- 15) OPERATING AMBIENT TEMPERATURE RANGE: -40° TO 212° F (100° C)
- 16) OPERATING FLUID TEMPERATURE RANGE: -40° TO 257° F (125° C)
- 17) OPERATIONAL AT FLUID AND AMBIENT TEMPERATURES DOWN TO -50° F (-46° C) WITH OUT SHOCK RATING (BELOW).
- 18) COMPENSATED TEMPERATURE RANGE: 32 TO 176° F (0 TO 80° C)
- 19) EMI/RFI IMMUNITY: 100 V/M, CE CONFORMITY 89/336/EWG EN 61 326 EMISSION CLASS LIMIT A AND B
- 20) SHOCK: 500G PER IEC 60068-2-27
- 21) VIBRATION: 20G PER IEC 60068-2-6
- 22) MAX ASSEMBLY TORQUE: 260 LBF-IN [30 N-M]
- 23) WEIGHT: .12 LB [$.05$ KG]
- 24) INGRESS PROTECTION: RATED NEMA 4 / IP67 PER IEC 60 529

INCH
(MILLIMETER)

MICO[®]

North Mankato, Minnesota USA

COMPONENT AND SYSTEM RECOMMENDATIONS MADE BY MICO, INC ARE BASED ON INFORMATION SUPPLIED BY POTENTIAL USER AND/OR SYSTEM DESIGNER. THE POTENTIAL USER AND/OR DESIGNER MUST MAKE FINAL ACCEPTANCE AND APPROVAL OF COMPONENTS AND SYSTEM AFTER TESTING PERFORMANCE ON AN ACTUAL APPLICATION FOR WHICH SYSTEM WAS DESIGNED.

MICO, INC CLAIMS PROPRIETARY RIGHTS TO THE MATERIAL DISCLOSED IN THIS DOCUMENT. THIS DOCUMENT IS PROVIDED IN CONFIDENCE AND MAY NOT BE REPRODUCED OR DISCLOSED WITHOUT WRITTEN PERMISSION FROM MICO, INC. COPYRIGHT MICO, INC. ALL RIGHTS RESERVED.

SCALE 1.000	TITLE PRESSURE TRANSDUCER			
DWN JRA 2012-08-01	APVD PROD ENGRG	SIZE A	DRAWING NUMBER 32-580-123	REV E
X NO 07-1409	APVD ENGRG PWB 2012-08-03		CUSTOMER COPY	1 1