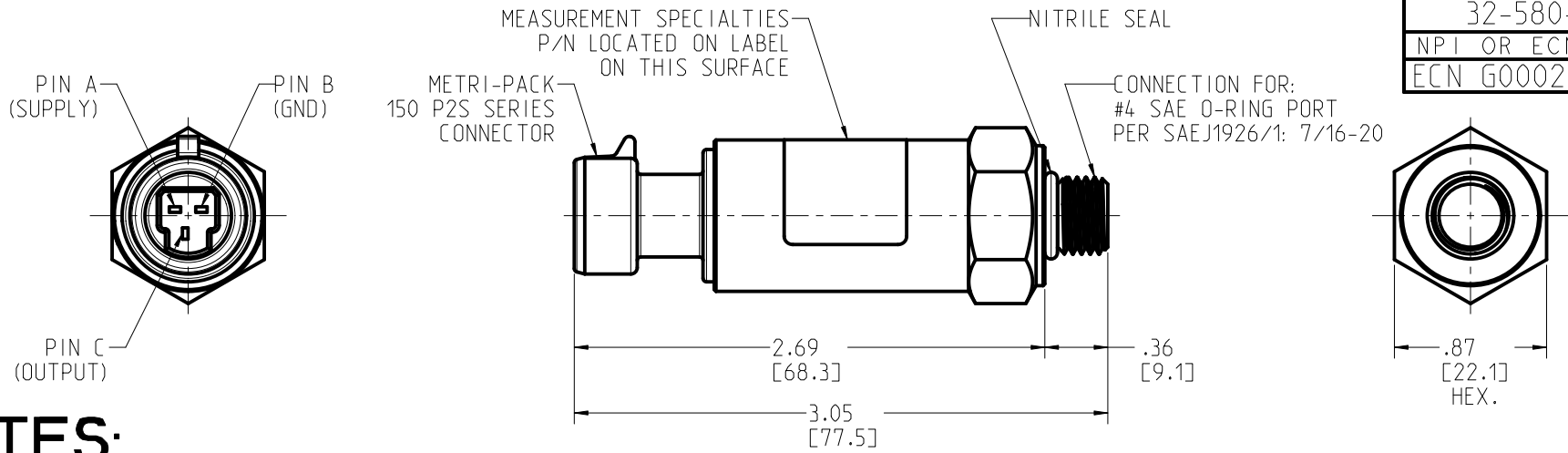


DRAWING NUMBER  
32-580-116  
NPI OR ECN NO  
ECN G000230



## NOTES:

- 1) DIMENSIONS MAY VARY BETWEEN UNITS AND ARE FOR REFERENCE PURPOSES ONLY. MILLIMETER VALUES MAY NOT BE AN EXACT CONVERSION OF INCH VALUES.
- 2) PRESSURE RANGE: 0 TO 5000 PSI (0 TO 345 BAR).
- 3) TOTAL ERROR BAND  $\pm 1.0\%$  OF FS OVER COMPENSATED RANGE.
- 4)  $\pm 1.5\%$  TYPICAL OVER EXTENDED OPERATING TEMPERATURE RANGE.
- 5) MEDIA COMPATIBILITY 17-4 PH STAINLESS STEEL AND NITRILE SEAL.
- 6) PRESSURE PORT SAE 4, INCLUDES NITRILE SEAL.
- 7) PRESSURE CYCLES >10 MILLION.
- 8) PRESSURE OVERLOAD WITHOUT CALIBRATION SHIFT 2X RATED PRESSURE.
- 9) BURST PRESSURE: 5X.
- 10) LONG TERM STABILITY (1 YEAR):  $\pm 0.25\%$  OF FS SPAN (TYPICAL).
- 11) SUPPLY VOLTAGE:  $5.00 \pm 0.25$  VDC.
- 12) SUPPLY VOLTAGE PROTECTION:  $\pm 16$  VDC.
- 13) SUPPLY CURRENT: <10mA.
- 14) OUTPUTS 0.5 - 4.5 VDC, RATIOMETRIC TO SUPPLY.
- 15) MATING CONNECTOR: DELPHI METRI-PACK 150 P2S THREE-PIN CONNECTOR 12065286.
- 16) OUTPUT LOAD 20K OHM (MIN).
- 17) OPERATING TEMPERATURE RANGE -46 TO 125 °C.
- 18) COMPENSATED TEMPERATURE RANGE -20 TO 85 °C.
- 19) TOTAL ERROR BAND  $\pm 0.75\%$  OF FS.
- 20) EN55022 EMISSIONS CLASS A & B.
- 21) IEC61000-4-2 ELECTROSTATIC DISCHARGE IMMUNITY (6KV CONTACT/8KV AIR).
- 22) IEC61000-4-3 EM FIELD IMMUNITY (30V/M).
- 23) IEC61000-4-4 ELECTRICAL FAST TRANSIENT IMMUNITY (1KV).
- 24) IEC61000-4-5 SURGE (1KV).
- 25) IEC61000-4-6 CONDUCTED IMMUNITY (10V).
- 26) IEC61000-4-9 PULSED MAGNETIC FIELD IMMUNITY (100A/M).
- 27) AUTOMOTIVE EM FIELD IMMUNITY 100V/M 80 MHZ TO 1 GHZ.
- 28) VIBRATION 20G AT 20 TO 200 HZ.
- 29) SHOCK 200G FOR 11MS.
- 30) Meets IP67 per EN 60529 & IP6K9K per DIN 40050.

**INCH**  
**[MILLIMETER]**



COMPONENT AND SYSTEM RECOMMENDATIONS MADE BY MICO, INC ARE BASED ON INFORMATION SUPPLIED BY POTENTIAL USER AND/OR SYSTEM DESIGNER. THE POTENTIAL USER AND/OR DESIGNER MUST MAKE FINAL ACCEPTANCE AND APPROVAL OF COMPONENTS AND SYSTEM AFTER TESTING PERFORMANCE ON AN ACTUAL APPLICATION FOR WHICH SYSTEM WAS DESIGNED.

MICO, INC CLAIMS PROPRIETARY RIGHTS TO THE MATERIAL DISCLOSED IN THIS DOCUMENT. THIS DOCUMENT IS PROVIDED IN CONFIDENCE AND MAY NOT BE REPRODUCED OR DISCLOSED WITHOUT WRITTEN PERMISSION FROM MICO, INC. COPYRIGHT MICO, INC. ALL RIGHTS RESERVED.

SCALE 1.000		TITLE PRESSURE TRANSDUCER		
DWN MAP 2015-12-22	APVD PROD ENGRG	SIZE A	DRAWING NUMBER 32-580-116	REV E
X NO 09-3243	APVD ENGRG STR 2015-12-23		CUSTOMER COPY	2 2