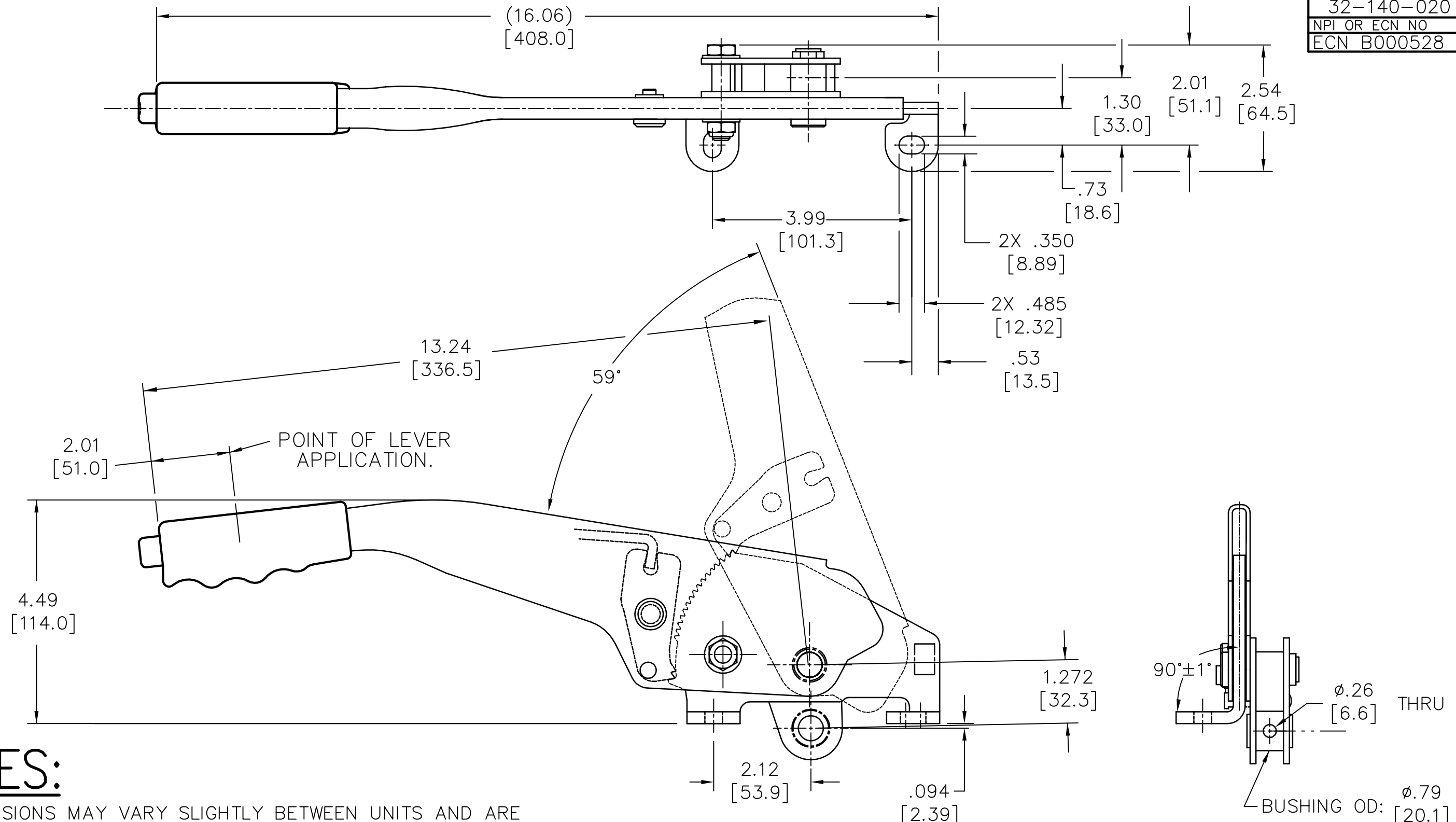


DRAWING NUMBER
32-140-020
NPI OR ECN NO
ECN B000528



NOTES:

1. DIMENSIONS MAY VARY SLIGHTLY BETWEEN UNITS AND ARE FOR REFERENCE PURPOSES ONLY. MILLIMETER VALUES MAY NOT BE AN EXACT CONVERSION OF INCH VALUES.
2. LEVER RATIO: 8.8:1
3. LINEAR CABLE TRAVEL: 1.25 [31.8]
4. THE 2.12 [53.9] AND .094 [2.39] DIMENSIONS APPLY WHEN THE PAWL IS AGAINST THE STOP AS SHOWN.

INCH
[MILLIMETER]



COMPONENT AND SYSTEM RECOMMENDATIONS MADE BY MICO, INC ARE BASED ON INFORMATION SUPPLIED BY POTENTIAL USER AND/OR SYSTEM DESIGNER. THE POTENTIAL USER AND/OR DESIGNER MUST MAKE FINAL ACCEPTANCE AND APPROVAL OF COMPONENTS AND SYSTEM AFTER TESTING PERFORMANCE ON AN ACTUAL APPLICATION FOR WHICH SYSTEM WAS DESIGNED.

MICO, INC CLAIMS PROPRIETARY RIGHTS TO THE MATERIAL DISCLOSED IN THIS DOCUMENT. THIS DOCUMENT IS PROVIDED IN CONFIDENCE AND MAY NOT BE REPRODUCED OR DISCLOSED WITHOUT WRITTEN PERMISSION FROM MICO, INC. COPYRIGHT MICO, INC. ALL RIGHTS RESERVED.

SCALE 1/2	TITLE LEVER		
DWN ETM 06-07-05	APVD PROD ENGRG BG	SIZE B	DRAWING NUMBER 32-140-020
X NO	APVD ENGRG BSW		REV D
			CUSTOMER COPY