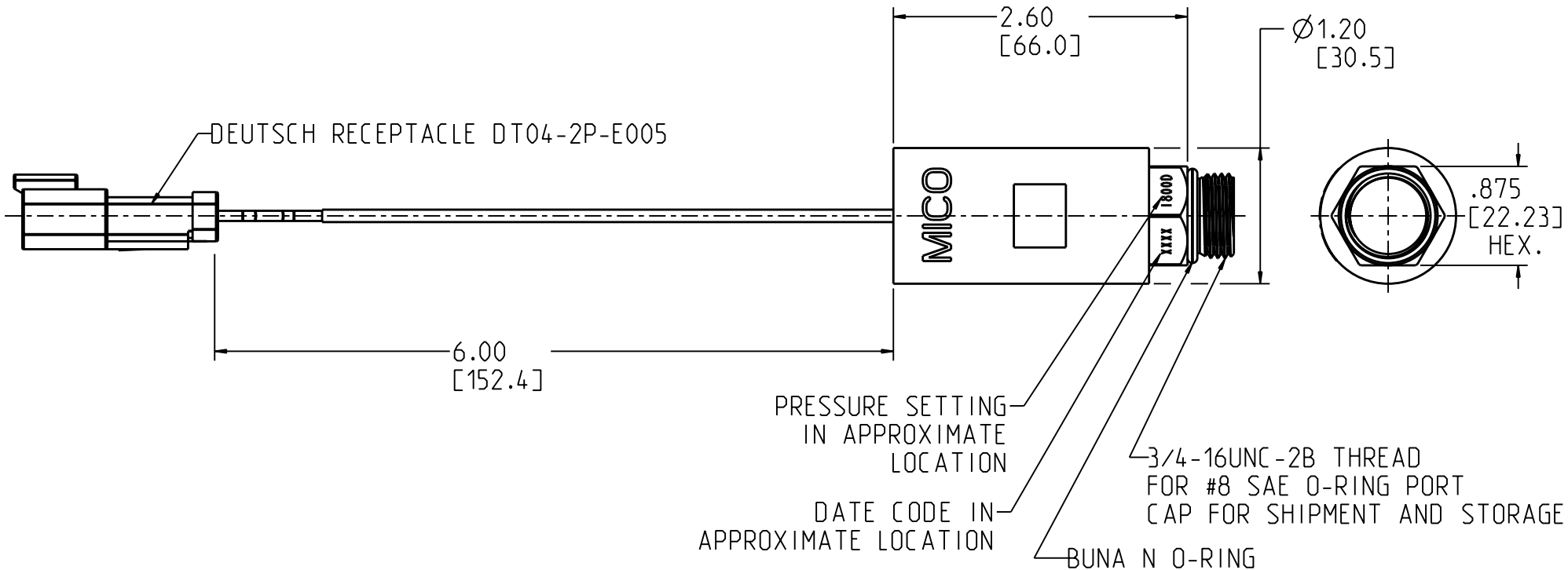


DRAWING NUMBER
30-580-002
NPI OR ECN NO
ECN C000235



## NOTES:

- 1) TO BE USED WITH MINERAL BASE HYDRAULIC OIL ONLY.
- 2) PRESSURE SETTING: 1800±90 PSI DECREASING.
- 3) PRESSURE SWITCH HYSTERESIS: 220±80 PSI
- 4) SPST-NC SWITCH
- 5) CURRENT RATING: 5 AMP
- 6) MAX. OPERATING PRESSURE: 5000 PSI
- 7) PROOF PRESSURE: 15,000 PSI

**INCH**  
**(MILLIMETER)**



North Mankato, Minnesota USA

COMPONENT AND SYSTEM RECOMMENDATIONS MADE BY MICO, INC ARE BASED ON INFORMATION SUPPLIED BY POTENTIAL USER AND/OR SYSTEM DESIGNER. THE POTENTIAL USER AND/OR DESIGNER MUST MAKE FINAL ACCEPTANCE AND APPROVAL OF COMPONENTS AND SYSTEM AFTER TESTING PERFORMANCE ON AN ACTUAL APPLICATION FOR WHICH SYSTEM WAS DESIGNED.

MICO, INC CLAIMS PROPRIETARY RIGHTS TO THE MATERIAL DISCLOSED IN THIS DOCUMENT. THIS DOCUMENT IS PROVIDED IN CONFIDENCE AND MAY NOT BE REPRODUCED OR DISCLOSED WITHOUT WRITTEN PERMISSION FROM MICO, INC. COPYRIGHT MICO, INC. ALL RIGHTS RESERVED.

SCALE 0.750	TITLE SWITCH			
DWN JJH 14-DEC-05	APVD PROD ENGRG	SIZE A	DRAWING NUMBER 30-580-002	REV C
X NO	APVD ENGRG BSW		CUSTOMER COPY	0 0