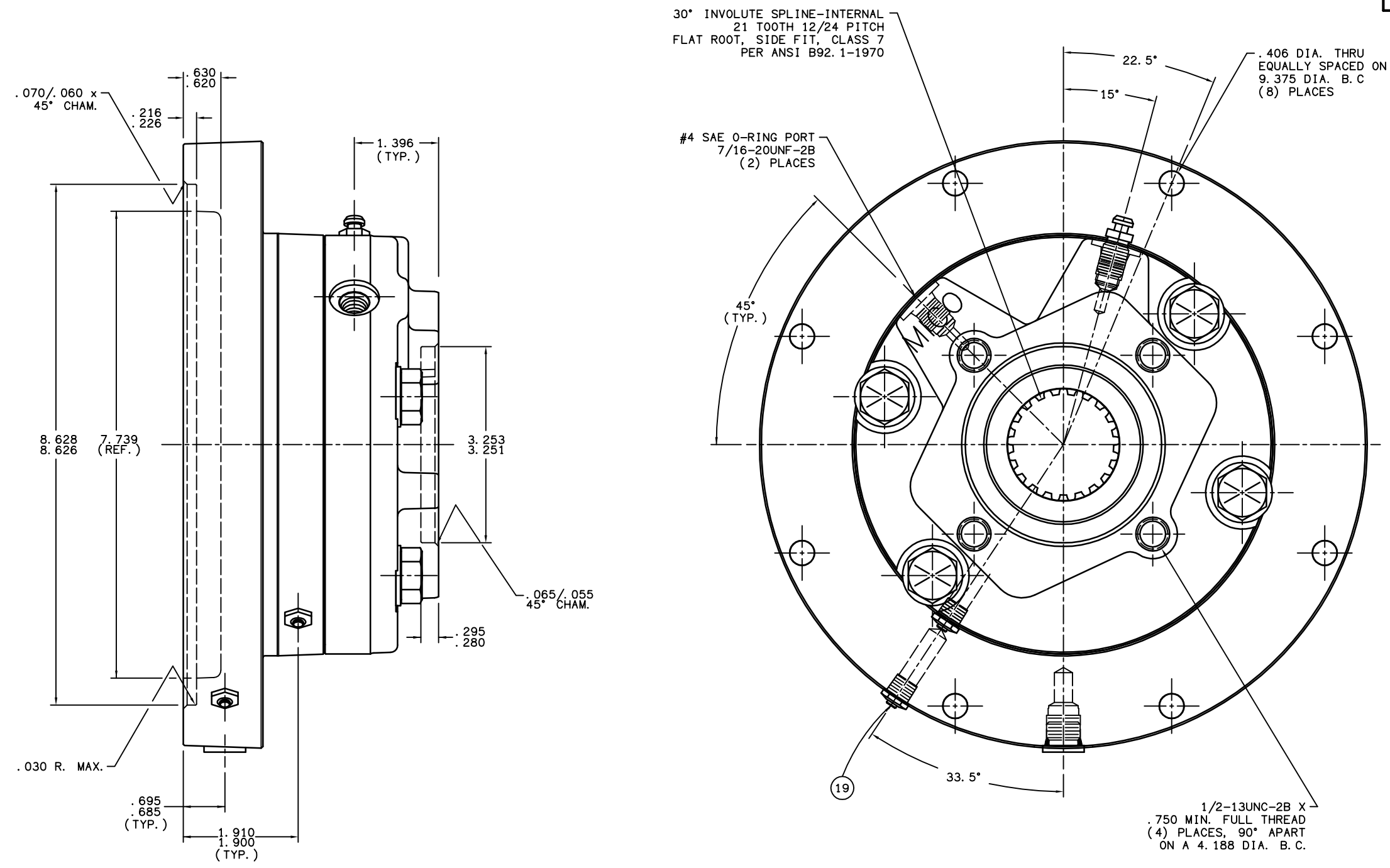


REV.	NPR OR ECO NO.	DATE
B	ECO S-1414	09/08/00



NOTES:

- 1) LINING REPAIR KIT P/N 12-501-408

SPECIFICATIONS:

TYPE:	DRY MULTIPLE DISC BRAKE, SPRING APPLY, HYDRAULIC RELEASE
TORQUE RATING:	6,000 LB-IN STATIC (BREAKAWAY) AT 0 PSI BACK PRESSURE
RELEASE PRESSURE:	330 PSI INITIAL, 395 PSI FULL
MAXIMUM OPERATING PRESSURE:	3,000 PSI
MAXIMUM SPEED:	3,900 RPM
APPROXIMATE WEIGHT:	39 LBS.
FOR USE WITH MINERAL BASE HYDRAULIC OIL ONLY	

MICO, INC. CLAIMS PROPRIETARY RIGHTS TO THE MATERIAL DISCLOSED IN THIS DOCUMENT. THIS DOCUMENT IS PROVIDED IN CONFIDENCE AND MAY NOT BE REPRODUCED OR DISCLOSED WITHOUT WRITTEN PERMISSION FROM MICO, INC. COPYRIGHT MICO, INC. ALL RIGHTS RESERVED.

mico	
North Mankato, Minnesota U.S.A.	
SCALE 2:1	PART NUMBER
X NO. X6627	21-100-112
DRAWN G. J.	CUSTOMER COPY
REVISED G. J.	
DATE 07/14/00	CHECKED DMM 9/29/00
	APPROVED ENG. KMM 9/29/00