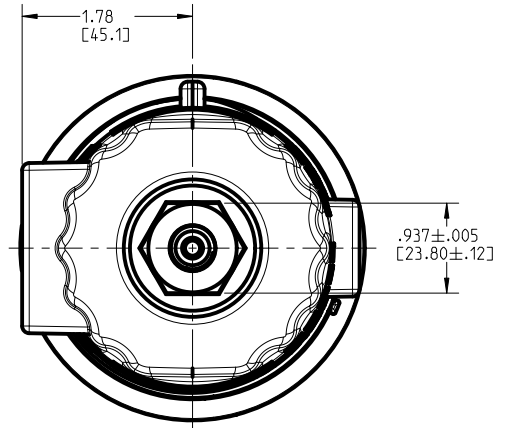
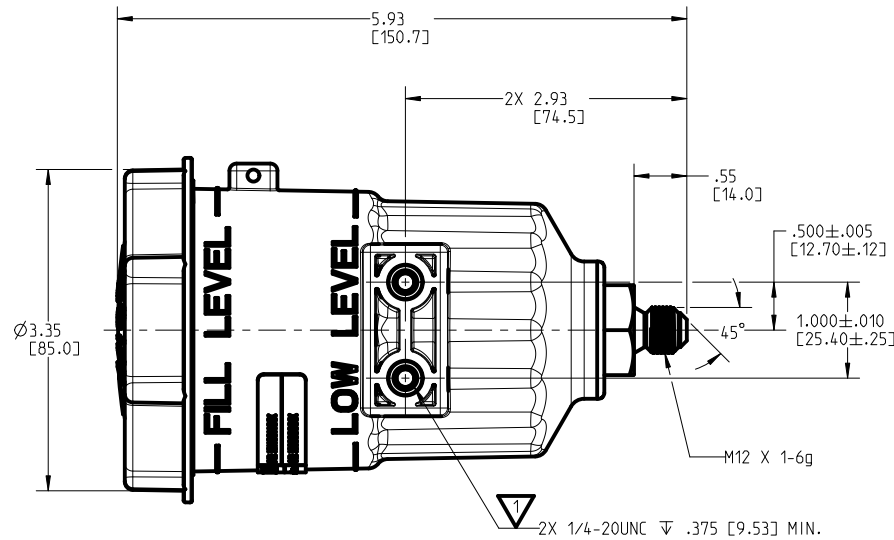
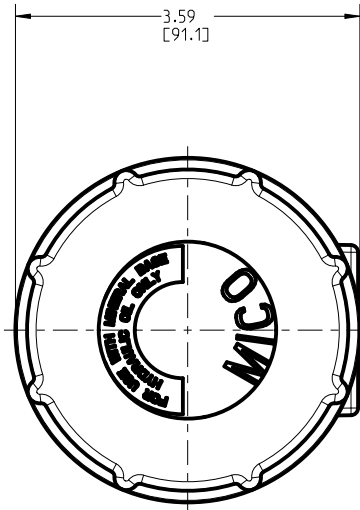
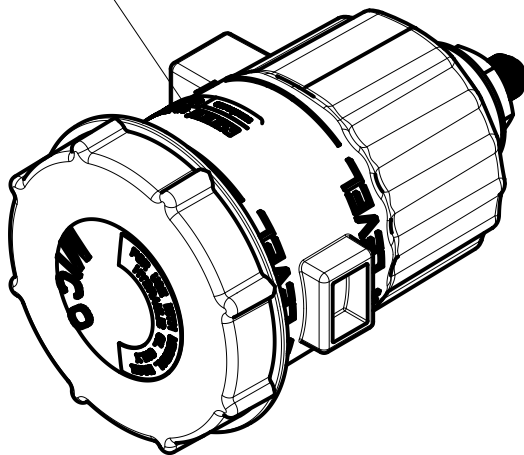



DRAWING NUMBER
20-920-522
NPI OR ECN NO
ECN B001362



LOCATION OF PART NUMBER AND DATE CODE



NOTES:

- 1) FOR USE WITH MINERAL BASE HYDRAULIC OIL ONLY.
- 2) DIMENSIONS WITHOUT TOLERANCE MAY VARY BETWEEN UNITS AND ARE FOR REFERENCE PURPOSES ONLY. MILLIMETER VALUES MAY NOT BE AN EXACT CONVERSION OF INCH VALUES.
- 3)  INSTALLATION OF RESERVOIR REQUIRES 1/4-20 UNC THREADED SCREWS AND RECOMMENDED TORQUE IS 72-84 LBIN [8.1-9.5 Nm]
- 4) RESERVOIR CAPACITY 14.54 CUIN.

INCH
[MILLIMETER]



COMPONENT AND SYSTEM RECOMMENDATIONS MADE BY MICO, INC. ARE BASED ON INFORMATION SUPPLIED BY POTENTIAL USER AND/OR SYSTEM DESIGNER. THE POTENTIAL USER AND/OR DESIGNER MUST MAKE FINAL ACCEPTANCE AND APPROVAL OF COMPONENTS AND SYSTEM AFTER TESTING PERFORMANCE ON AN ACTUAL APPLICATION FOR WHICH SYSTEM WAS DESIGNED.

MICO, INC. CLAIMS PROPRIETARY RIGHTS TO THE MATERIAL DISCLOSED IN THIS DOCUMENT. THIS DOCUMENT IS PROVIDED IN CONFIDENCE AND MAY NOT BE REPRODUCED OR DISCLOSED WITHOUT WRITTEN PERMISSION FROM MICO, INC. COPYRIGHT MICO, INC. ALL RIGHTS RESERVED.

SCALE 0.500		TITLE RESERVOIR		
DWN JJH 2017-03-10	APVD PROD ENGRG DPD 2017-05-09	SIZE A	DRAWING NUMBER 20-920-522	REV E
X NO	APVD ENGRG BSW 2017-03-15		CUSTOMER COPY	1 1