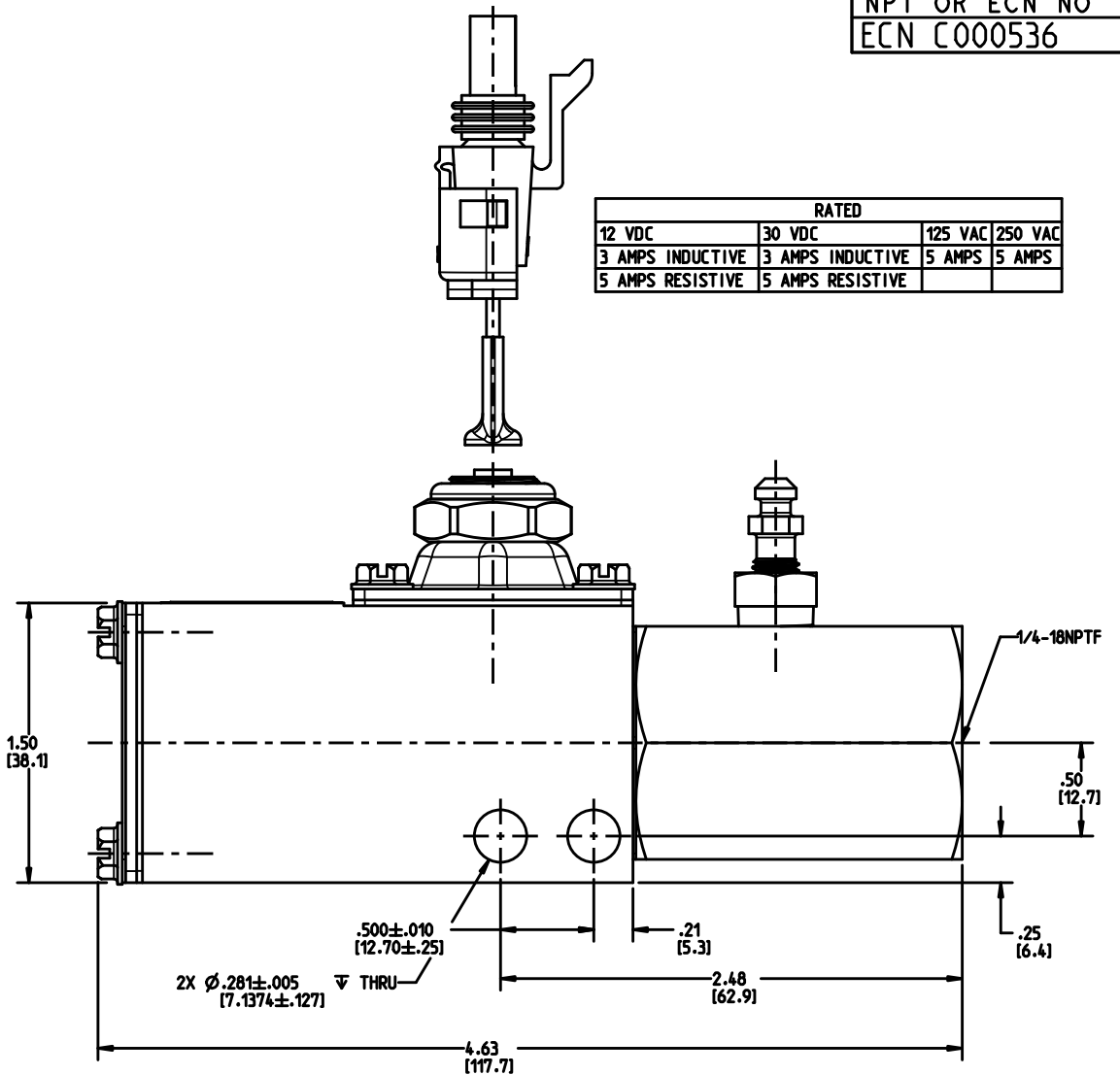
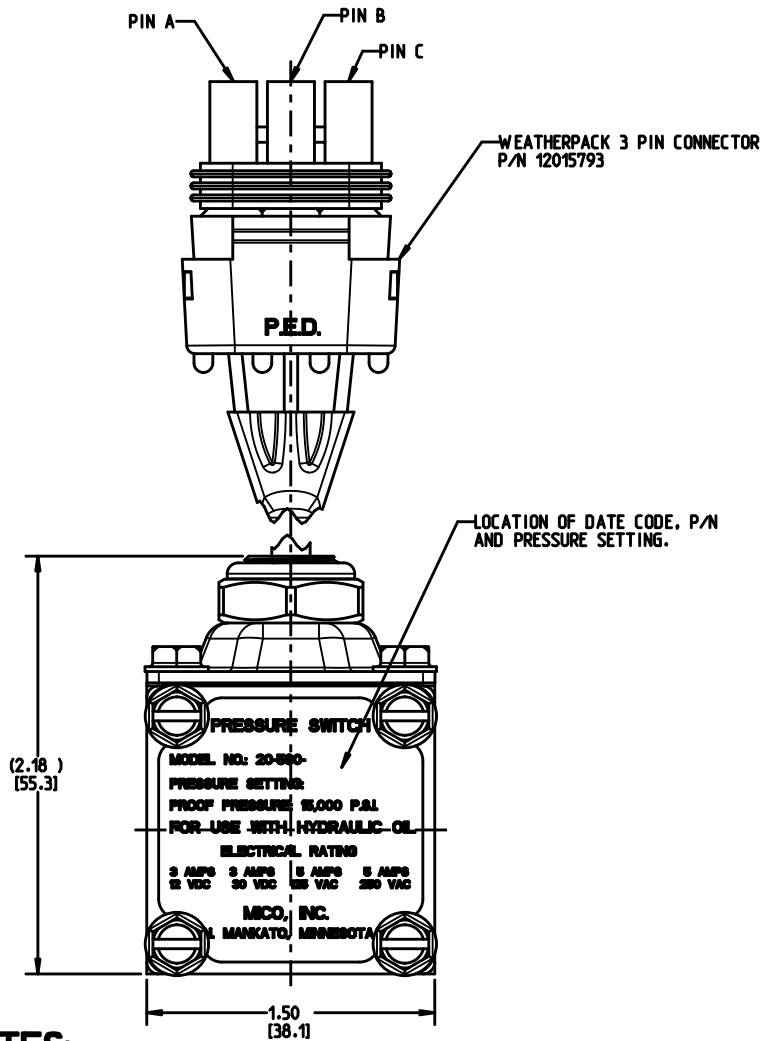


DRAWING NUMBER  
20-580-130  
NPI OR ECN NO  
ECN C000536



**NOTES:**

- 1) FOR USE WITH MINERAL BASE HYDRAULIC OIL ONLY.
- 2) DIMENSIONS MAY VARY BETWEEN UNITS AND ARE FOR REFERENCE PURPOSES ONLY. MILLIMETER VALUES MAY NOT BE AN EXACT CONVERSION OF INCH VALUES.

**PERFORMANCE CHARACTERISTICS:**

- 1) TEMPERATURE RANGE: FOR PETROLEUM BASE OILS AND WATER  
-45° TO +220° F.  
(NITRILE RUBBER).
- 2) WEATHER RESISTANT ADJUSTABLE PRESSURE SWITCH:
  - PRESSURE RANGE: 750-1850 PSI.
  - PROOF PRESSURE: 15,000 PSI.
  - BURST PRESSURE: 25,000 PSI.
  - LEAD WIRE LENGTH: 16" APPROXIMATE.
  - WIRE CODE: PIN A - RED - NORMALLY CLOSED  
PIN B - BLACK - COMMON  
PIN C - WHITE OR GREEN - NORMALLY OPEN

- 3) SWITCH SPECIFICATIONS:
  - MICRO SWITCH P/N 11SM3.
  - SINGLE POLE DOUBLE THROW.

COMPONENT AND SYSTEM RECOMMENDATIONS MADE BY MICO, INC ARE BASED ON INFORMATION SUPPLIED BY POTENTIAL USER AND/OR SYSTEM DESIGNER. THE POTENTIAL USER AND/OR DESIGNER MUST MAKE FINAL ACCEPTANCE AND APPROVAL OF COMPONENTS AND SYSTEM AFTER TESTING PERFORMANCE ON AN ACTUAL APPLICATION FOR WHICH SYSTEM WAS DESIGNED.

MICO, INC CLAIMS PROPRIETARY RIGHTS TO THE MATERIAL DISCLOSED IN THIS DOCUMENT. THIS DOCUMENT IS PROVIDED IN CONFIDENCE AND MAY NOT BE REPRODUCED OR DISCLOSED WITHOUT WRITTEN PERMISSION FROM MICO, INC. COPYRIGHT MICO, INC. ALL RIGHTS RESERVED.

INCH  
[MILLIMETER]



SCALE 1.000	TITLE PRESSURE SWITCH	SIZE A	DRAWING NUMBER 20-580-130	REV C
DWN JRA 2014-10-06	APVD PROD ENGRG DPD 2014-10-16		CUSTOMER COPY	2 2
X NO	APVD ENGRG BSW 2014-10-13			