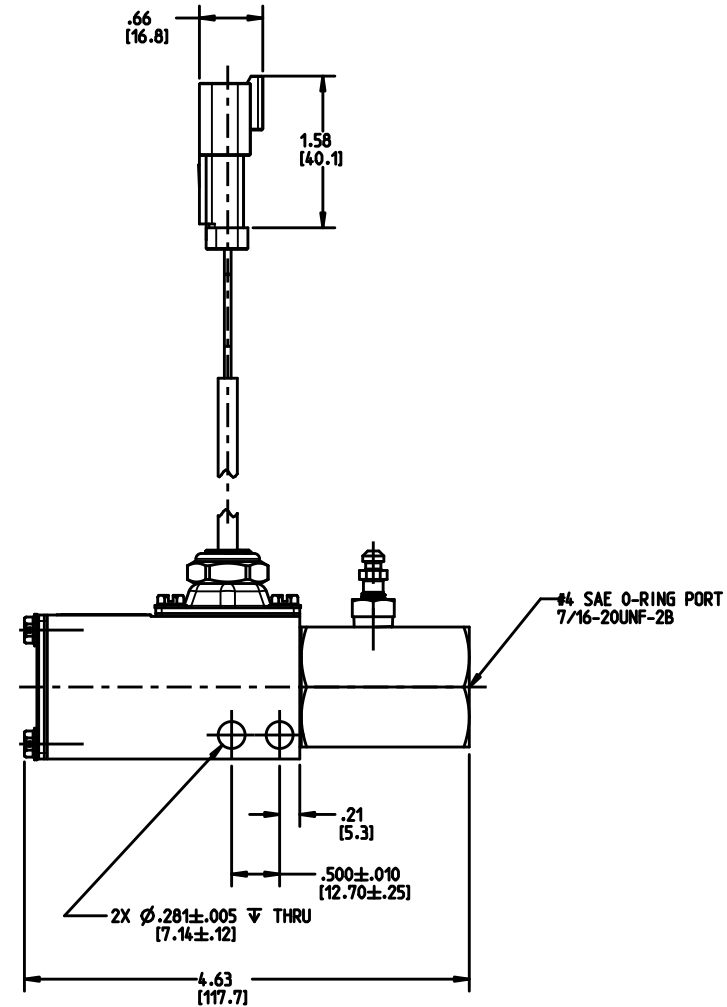
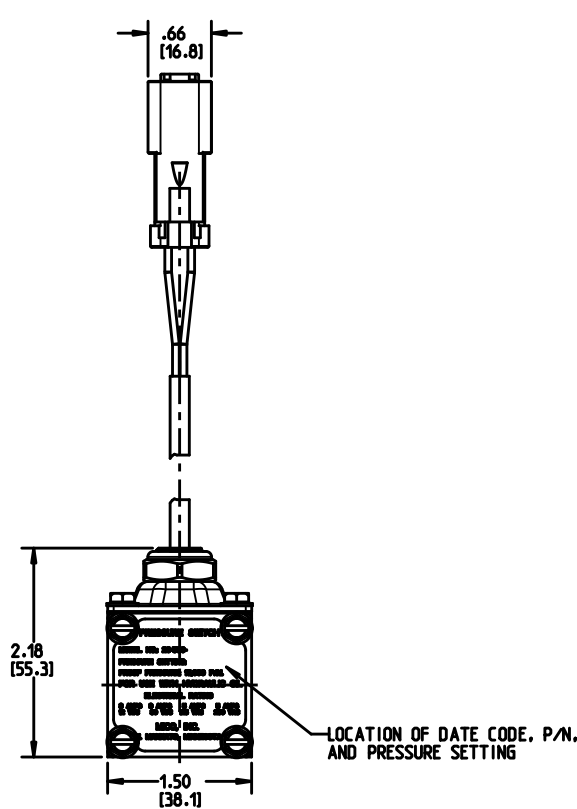


DRAWING NUMBER
20-580-127
NPI OR ECN NO
ECN C000536



DEUTSCH DT SERIES 2 PIN
RECEPTACLE P/N DT04-2P-E005.



NOTES:

- FOR USE WITH MINERAL BASE HYDRAULIC OIL ONLY.
- DIMENSIONS MAY VARY SLIGHTLY BETWEEN UNITS AND ARE FOR REFERENCE PURPOSES ONLY. MILLIMETER VALUES MAY NOT BE AN EXACT CONVERSION OF INCH VALUES.

PERFORMANCE CHARACTERISTICS:

- PRESSURE SETTING TO BE AS FOLLOWS:
 - CONTACTS CLOSE BY 1000 PSI (±70 PSI) DECREASING.
- TEMPERATURE RANGE:
 - 45° TO +220° F.
- WEATHER RESISTANT PRESSURE SWITCH:
 - PROOF PRESSURE: 15,000 PSI.
 - BURST PRESSURE: 25,000 PSI.
 - LEAD WIRE LENGTH: 16" APPROXIMATE.
 - WIRE CODE: (1) BLACK - COMMON
(2) RED - NORMALLY CLOSED
- SWITCH SPECIFICATIONS:
 - MICRO SWITCH P/N 11SM3.
 - CURRENT RATING: SEE TABLE.

INCH
[MILLIMETER]



RATED			
12 VDC	30 VDC	125 VAC	250 VAC
3 AMPS INDUCTIVE	3 AMPS INDUCTIVE	5 AMPS	5 AMPS
5 AMPS RESISTIVE	5 AMPS RESISTIVE		

COMPONENT AND SYSTEM RECOMMENDATIONS MADE BY MICO, INC ARE BASED ON INFORMATION SUPPLIED BY POTENTIAL USER AND/OR SYSTEM DESIGNER. THE POTENTIAL USER AND/OR DESIGNER MUST MAKE FINAL ACCEPTANCE AND APPROVAL OF COMPONENTS AND SYSTEM AFTER TESTING PERFORMANCE ON AN ACTUAL APPLICATION FOR WHICH SYSTEM WAS DESIGNED.

MICO, INC CLAIMS PROPRIETARY RIGHTS TO THE MATERIAL DISCLOSED IN THIS DOCUMENT. THIS DOCUMENT IS PROVIDED IN CONFIDENCE AND MAY NOT BE REPRODUCED OR DISCLOSED WITHOUT WRITTEN PERMISSION FROM MICO, INC. COPYRIGHT MICO, INC. ALL RIGHTS RESERVED.

SCALE 0.500	TITLE PRESSURE SWITCH			
DWN JRA 2014-10-06	APVD PROD ENGRG DPD 2014-10-16	SIZE A	DRAWING NUMBER 20-580-127	REV F
X NO X7532	APVD ENGRG BSW 2014-10-13		CUSTOMER COPY	2 2