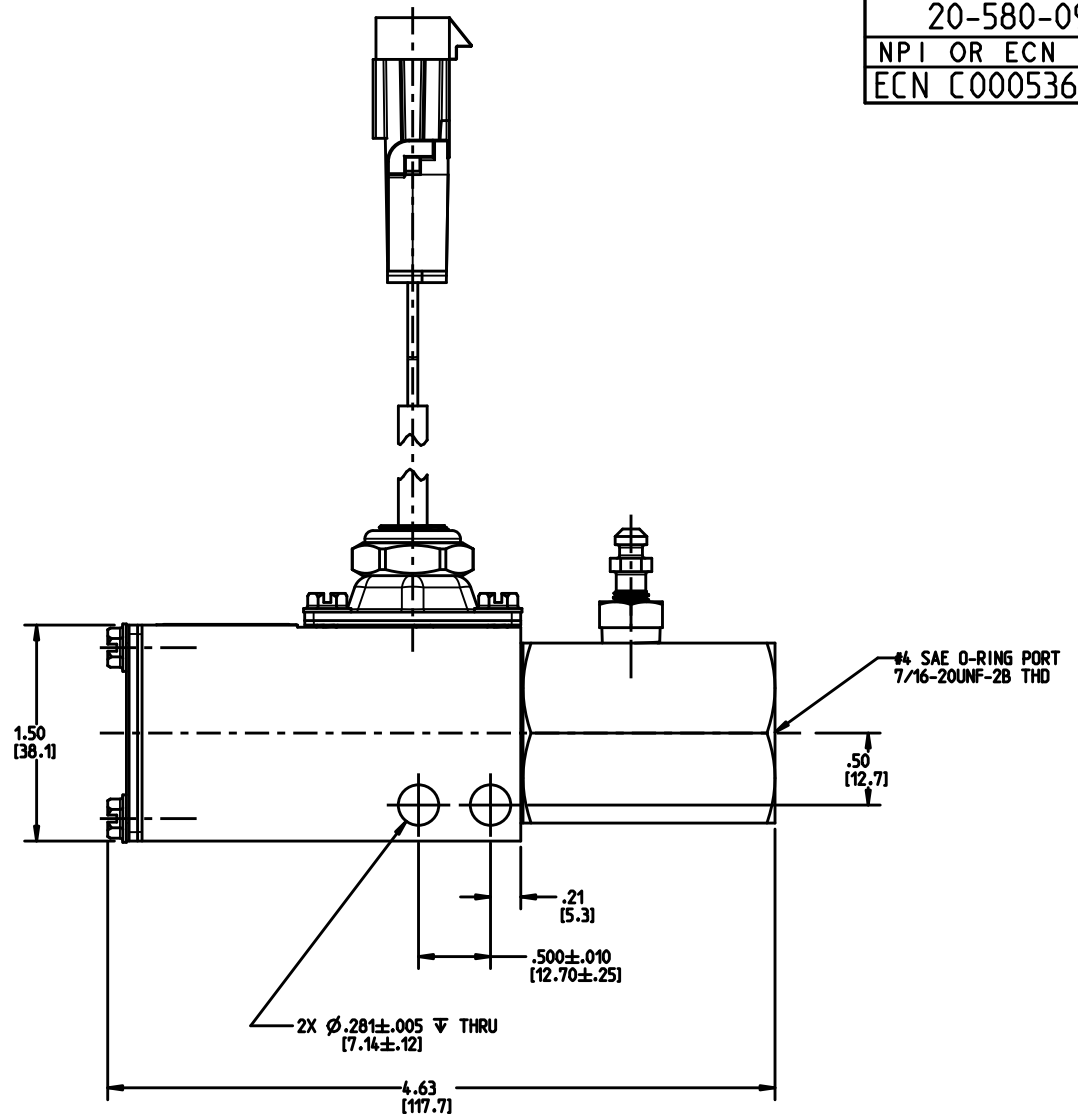
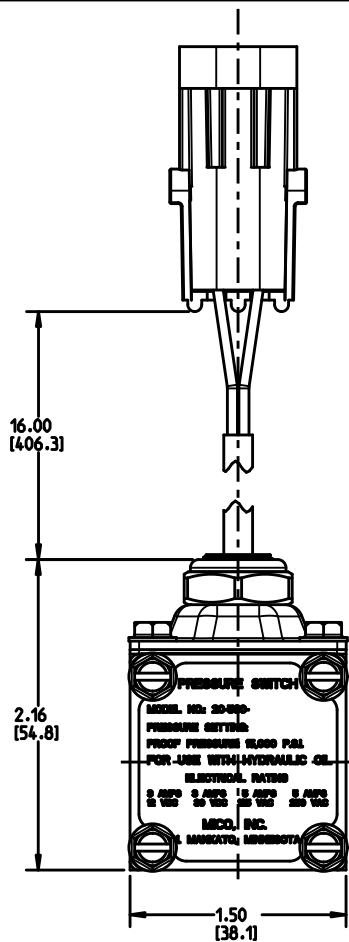


DRAWING NUMBER
20-580-093
NPI OR ECN NO
ECN C000536



NOTES:

- 1) FOR USE WITH MINERAL BASE HYDRAULIC OIL ONLY.
- 2) DIMENSIONS WILL VARY BETWEEN UNITS AND ARE FOR REFERENCE PURPOSES ONLY. MILLIMETER VALUES MAY NOT BE AN EXACT CONVERSION OF INCH VALUES.

PERFORMANCE CHARACTERISTICS:

- 1) TEMPERATURE RANGE: FOR PETROLEUM BASE OILS AND WATER
-45° TO +220° F.
(NITRILE RUBBER).
- 2) PRESSURE SETTINGS TO BE AS FOLLOWS:
- CONTACTS CLOSE BY 1000⁺⁰_{.50} PSI INCREASING.
- 3) WEATHER RESISTANT ADJUSTABLE PRESSURE SWITCH:
- PROOF PRESSURE: 15,000 PSI.
- BURST PRESSURE: 25,000 PSI.
- LEAD WIRE LENGTH: 16" APPROXIMATE.
- WIRE CODE: BLACK - COMMON
WHITE OR GREEN - NORMALLY OPEN
- 4) SWITCH SPECIFICATIONS:
- MICRO SWITCH P/N 11SM3.
- SINGLE POLE DOUBLE THROW.

RATED			
12 VDC	30 VDC	125 VAC	250 VAC
3 AMPS INDUCTIVE	3 AMPS INDUCTIVE	5 AMPS	5 AMPS
5 AMPS RESISTIVE	5 AMPS RESISTIVE		

COMPONENT AND SYSTEM RECOMMENDATIONS MADE BY MICO, INC ARE BASED ON INFORMATION SUPPLIED BY POTENTIAL USER AND/OR SYSTEM DESIGNER. THE POTENTIAL USER AND/OR DESIGNER MUST MAKE FINAL ACCEPTANCE AND APPROVAL OF COMPONENTS AND SYSTEM AFTER TESTING PERFORMANCE ON AN ACTUAL APPLICATION FOR WHICH SYSTEM WAS DESIGNED.

MICO, INC CLAIMS PROPRIETARY RIGHTS TO THE MATERIAL DISCLOSED IN THIS DOCUMENT. THIS DOCUMENT IS PROVIDED IN CONFIDENCE AND MAY NOT BE REPRODUCED OR DISCLOSED WITHOUT WRITTEN PERMISSION FROM MICO, INC. COPYRIGHT MICO, INC. ALL RIGHTS RESERVED.

INCH
(MILLIMETER)

MICO[®]
North Mankato, Minnesota USA

SCALE 0.750		TITLE PRESSURE SWITCH		
DWN JRA 2014-10-06	APVD PROD ENGRG DPD 2014-10-16	SIZE A	DRAWING NUMBER 20-580-093	REV E
X NO	APVD ENGRG BSW 2014-10-13		CUSTOMER COPY	2 2