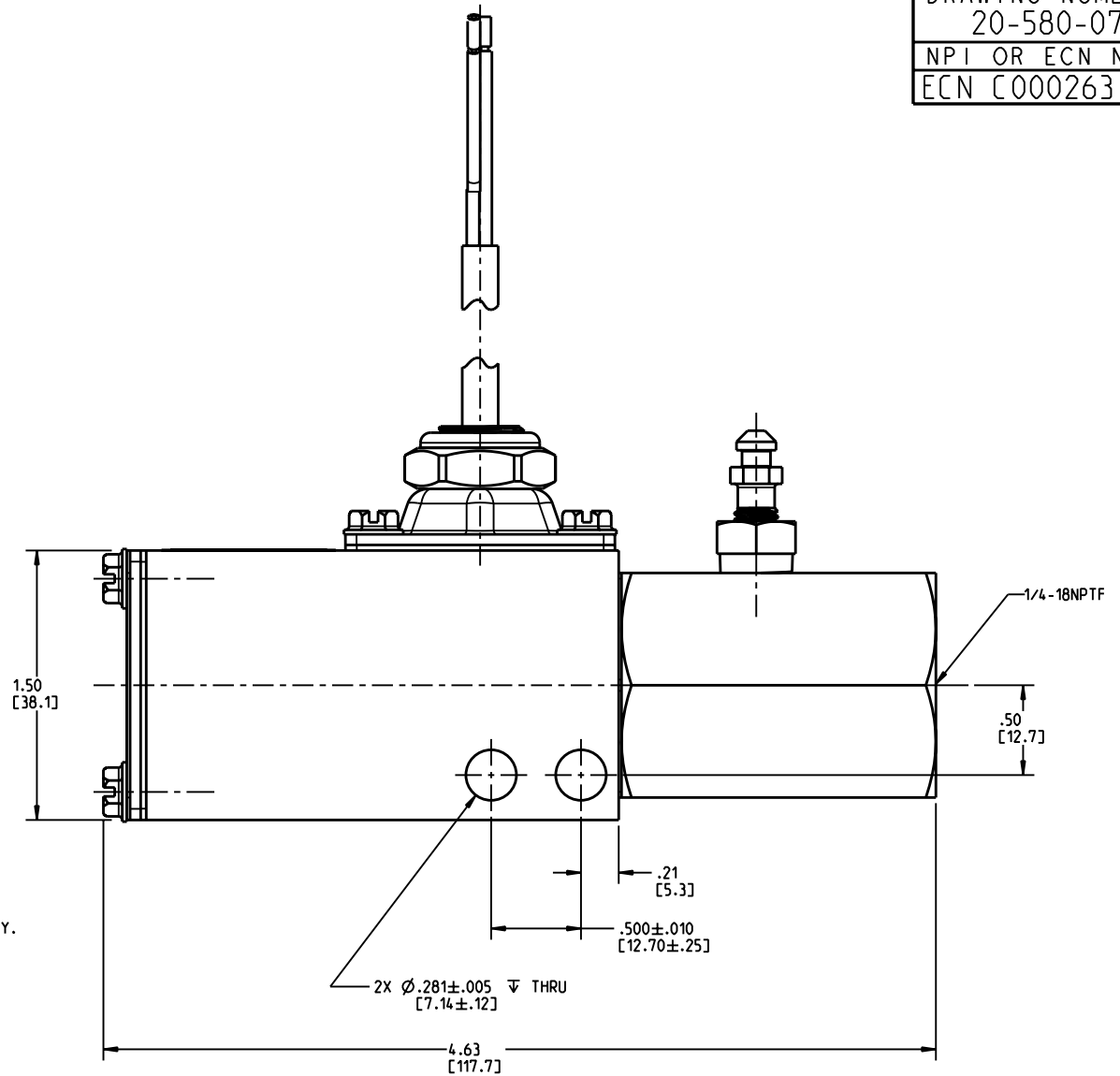
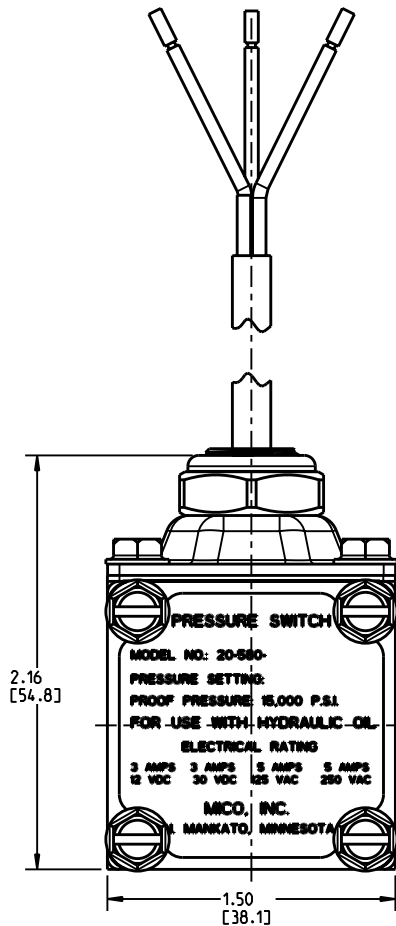


DRAWING NUMBER
20-580-076
NPI OR ECN NO
ECN C000263



NOTES:

- 1) FOR USE WITH MINERAL BASE HYDRAULIC OIL ONLY.
- 2) DIMENSIONS WILL VARY BETWEEN UNITS AND ARE FOR REFERENCE PURPOSES ONLY. MILLIMETER VALUES MAY NOT BE AN EXACT CONVERSION OF INCH VALUES.

PERFORMANCE CHARACTERISTICS:

- 1) TEMPERATURE RANGE: FOR PETROLEUM BASE OILS AND WATER
-45° TO +220° F.
(NITRILE RUBBER).
- 2) WEATHER RESISTANT ADJUSTABLE PRESSURE SWITCH:
- PRESSURE RANGE: INCREASING: 250-1,050 PSI.
DECREASING: 200-850 PSI.
- PROOF PRESSURE: 15,000 PSI.
- BURST PRESSURE: 25,000 PSI.
- LEAD WIRE LENGTH: 60" APPROXIMATE.
- WIRE CODE: BLACK - COMMON
RED - NORMALLY CLOSED
WHITE OR GREEN - NORMALLY OPEN
- 3) SWITCH SPECIFICATIONS:
- MICRO SWITCH P/N 115M3.
- SINGLE POLE DOUBLE THROW.

**INCH
(MILLIMETER)**



| RATED | | | |
|------------------|------------------|---------|---------|
| 12 VDC | 30 VDC | 125 VAC | 250 VAC |
| 3 AMPS INDUCTIVE | 3 AMPS INDUCTIVE | 5 AMPS | 5 AMPS |
| 5 AMPS RESISTIVE | 5 AMPS RESISTIVE | | |

COMPONENT AND SYSTEM RECOMMENDATIONS MADE BY MICO, INC ARE BASED ON INFORMATION SUPPLIED BY POTENTIAL USER AND/OR SYSTEM DESIGNER. THE POTENTIAL USER AND/OR DESIGNER MUST MAKE FINAL ACCEPTANCE AND APPROVAL OF COMPONENTS AND SYSTEM AFTER TESTING PERFORMANCE ON AN ACTUAL APPLICATION FOR WHICH SYSTEM WAS DESIGNED.

MICO, INC CLAIMS PROPRIETARY RIGHTS TO THE MATERIAL DISCLOSED IN THIS DOCUMENT. THIS DOCUMENT IS PROVIDED IN CONFIDENCE AND MAY NOT BE REPRODUCED OR DISCLOSED WITHOUT WRITTEN PERMISSION FROM MICO, INC. COPYRIGHT MICO, INC. ALL RIGHTS RESERVED.

| SCALE | TITLE | | | |
|----------------------|-------------------|------|----------------|-----|
| 1.000 | PRESSURE SWITCH | | | |
| DWN JJH 03-Aug-06 | APVD PROD ENGRG | SIZE | DRAWING NUMBER | REV |
| X NO | APVD ENGRG BSW | A | 20-580-076 | H |
| | | | CUSTOMER COPY | 0 0 |