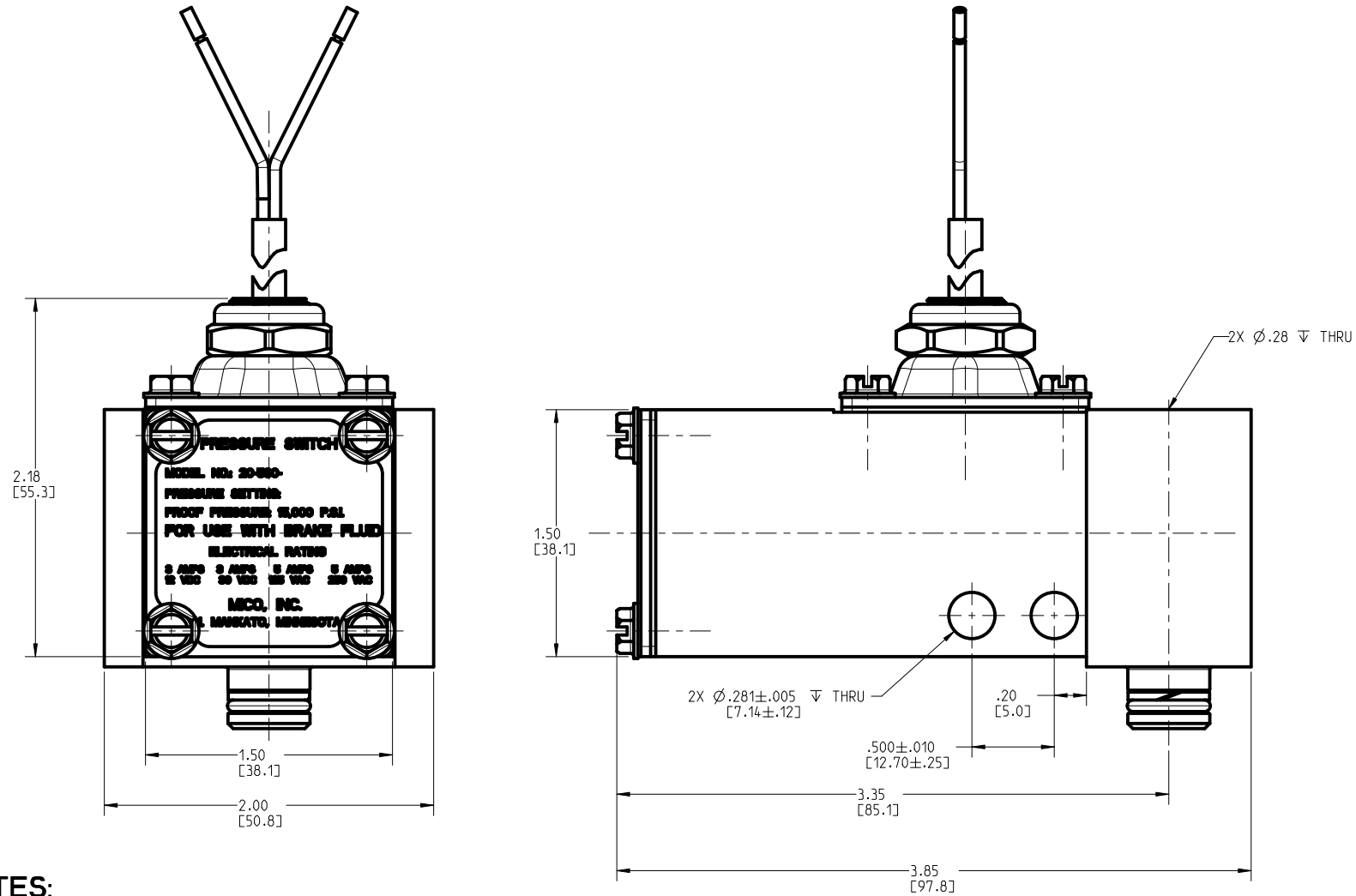


DRAWING NUMBER  
20-580-045  
NPI OR ECN NO  
ECN 000629



**NOTES:**

- 1) FOR USE WITH DOT 3, 4 OR 5 BRAKE FLUID ONLY.
- 2) DIMENSIONS WILL VARY BETWEEN UNITS AND ARE FOR REFERENCE PURPOSES ONLY. MILLIMETER VALUES MAY NOT BE AN EXACT CONVERSION OF INCH VALUES.

**PERFORMANCE CHARACTERISTICS:**

- 1) PRESSURE SETTING TO BE AS FOLLOWS:
  - CONTACTS OPEN BY 700 PSI MAX. INCREASING.
  - CONTACTS CLOSE BY 500 PSI MIN. DECREASING.
- 2) WEATHER RESISTANT ADJUSTABLE PRESSURE SWITCH:
  - PROOF PRESSURE: 15,000 PSI.
  - LEAD WIRE LENGTH: 16" APPROXIMATE.
  - WIRE CODE: BLACK - COMMON
  - RED - NORMALLY CLOSED
- 3) SWITCH SPECIFICATIONS:
  - SINGLE POLE DOUBLE THROW.

INCH  
[MILLIMETER]



| RATED            |                  |         |         |
|------------------|------------------|---------|---------|
| 12 VDC           | 30 VDC           | 125 VAC | 250 VAC |
| 3 AMPS INDUCTIVE | 3 AMPS INDUCTIVE | 5 AMPS  | 5 AMPS  |
| 5 AMPS RESISTIVE | 5 AMPS RESISTIVE |         |         |

COMPONENT AND SYSTEM RECOMMENDATIONS MADE BY MICO, INC. ARE BASED ON INFORMATION SUPPLIED BY POTENTIAL USER AND/OR SYSTEM DESIGNER. THE POTENTIAL USER AND/OR DESIGNER MUST MAKE FINAL ACCEPTANCE AND APPROVAL OF COMPONENTS AND SYSTEM AFTER TESTING PERFORMANCE ON AN ACTUAL APPLICATION FOR WHICH SYSTEM WAS DESIGNED.

MICO, INC. CLAIMS PROPRIETARY RIGHTS TO THE MATERIAL DISCLOSED IN THIS DOCUMENT. THIS DOCUMENT IS PROVIDED IN CONFIDENCE AND MAY NOT BE REPRODUCED OR DISCLOSED WITHOUT WRITTEN PERMISSION FROM MICO, INC. COPYRIGHT MICO, INC. ALL RIGHTS RESERVED.

| SCALE                 | TITLE                             |           |                              |          |
|-----------------------|-----------------------------------|-----------|------------------------------|----------|
| 1.000                 | PRESSURE SWITCH                   |           |                              |          |
| DWN JJH<br>2017-10-23 | APVD PROD ENGRG<br>DPD 2018-05-14 | SIZE<br>A | DRAWING NUMBER<br>20-580-045 | REV<br>M |
| X NO                  | APVD ENGRG<br>BSW 2017-10-23      |           | CUSTOMER COPY                | 2 2      |