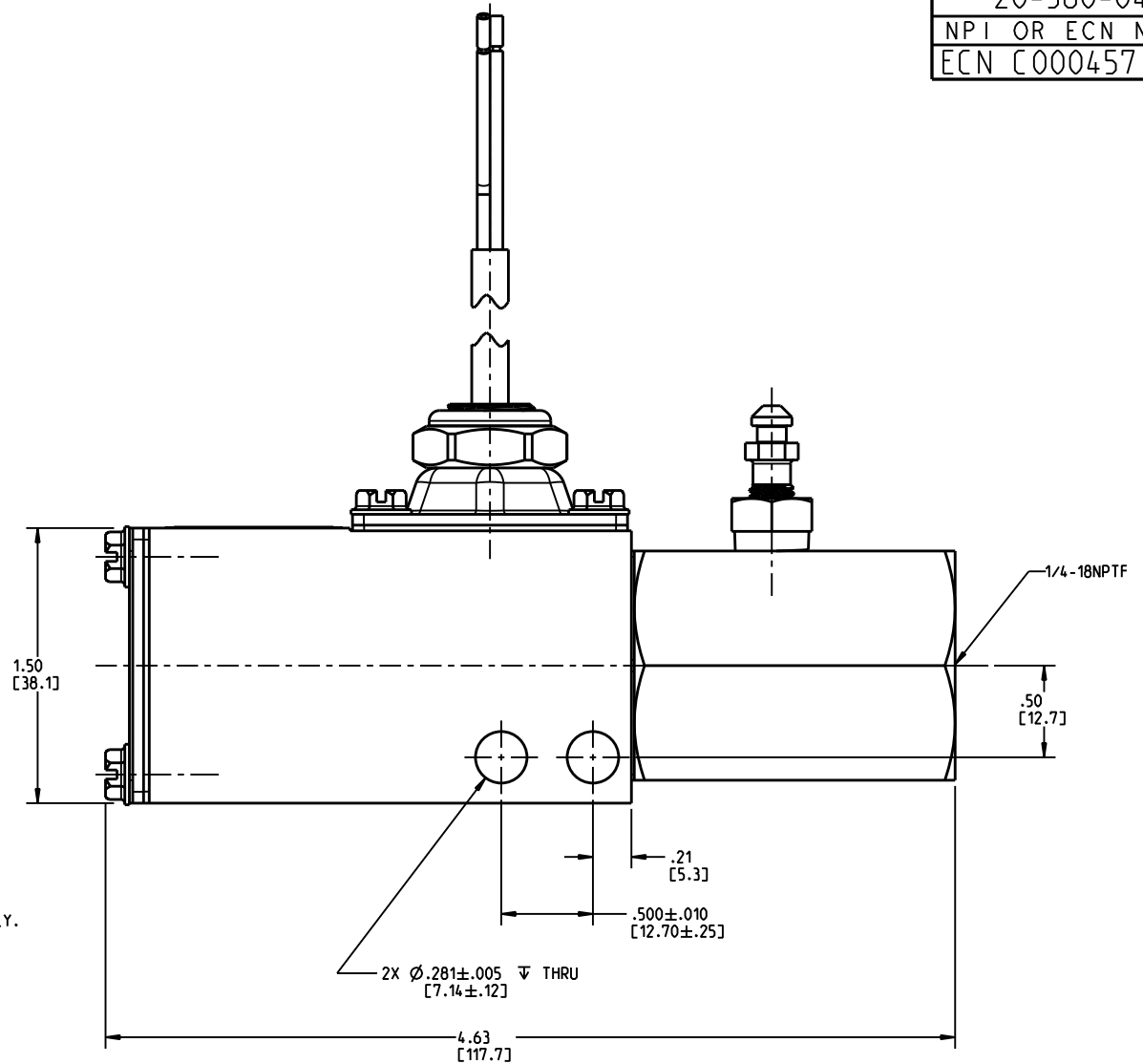
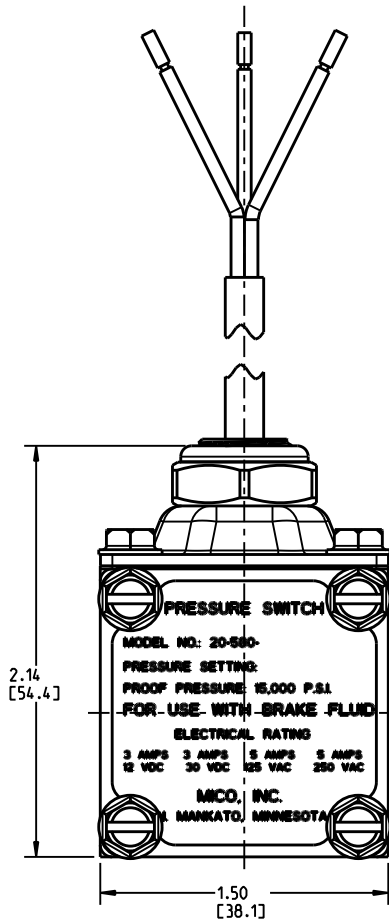


DRAWING NUMBER  
20-580-041  
NPI OR ECN NO  
ECN C000457



**NOTES:**

- FOR USE WITH DOT 3, 4 OR 5 BRAKE FLUID ONLY.
- DIMENSIONS WILL VARY BETWEEN UNITS AND ARE FOR REFERENCE PURPOSES ONLY. MILLIMETER VALUES MAY NOT BE AN EXACT CONVERSION OF INCH VALUES.

**PERFORMANCE CHARACTERISTICS:**

- WEATHER RESISTANT ADJUSTABLE PRESSURE SWITCH:
  - PRESSURE RANGE: INCREASING: 1,100-3,500 PSI. DECREASING: 900-3,300 PSI.
  - PROOF PRESSURE: 15,000 PSI.
  - BURST PRESSURE: 25,000 PSI.
  - LEAD WIRE LENGTH: 16" APPROXIMATE.
  - WIRE CODE: BLACK - COMMON  
RED - NORMALLY CLOSED  
WHITE OR GREEN - NORMALLY OPEN
- SWITCH SPECIFICATIONS:
  - SINGLE POLE DOUBLE THROW.

**INCH**  
**[MILLIMETER]**

**MICO®**  
North Mankato, Minnesota USA

RATED			
12 VDC	30 VDC	125 VAC	250 VAC
3 AMPS INDUCTIVE	3 AMPS INDUCTIVE	5 AMPS	5 AMPS
5 AMPS RESISTIVE	5 AMPS RESISTIVE		

COMPONENT AND SYSTEM RECOMMENDATIONS MADE BY MICO, INC ARE BASED ON INFORMATION SUPPLIED BY POTENTIAL USER AND/OR SYSTEM DESIGNER. THE POTENTIAL USER AND/OR DESIGNER MUST MAKE FINAL ACCEPTANCE AND APPROVAL OF COMPONENTS AND SYSTEM AFTER TESTING PERFORMANCE ON AN ACTUAL APPLICATION FOR WHICH SYSTEM WAS DESIGNED.

MICO, INC CLAIMS PROPRIETARY RIGHTS TO THE MATERIAL DISCLOSED IN THIS DOCUMENT. THIS DOCUMENT IS PROVIDED IN CONFIDENCE AND MAY NOT BE REPRODUCED OR DISCLOSED WITHOUT WRITTEN PERMISSION FROM MICO, INC. COPYRIGHT MICO, INC. ALL RIGHTS RESERVED.

SCALE 1.000	TITLE PRESSURE SWITCH	SIZE A	DRAWING NUMBER 20-580-041	REV N
DWN JRA 2013-01-08	APVD PROD ENGRG DPD 2013-02-14		CUSTOMER COPY	2 2
X NO	APVD ENGRG BSW 2013-02-05			