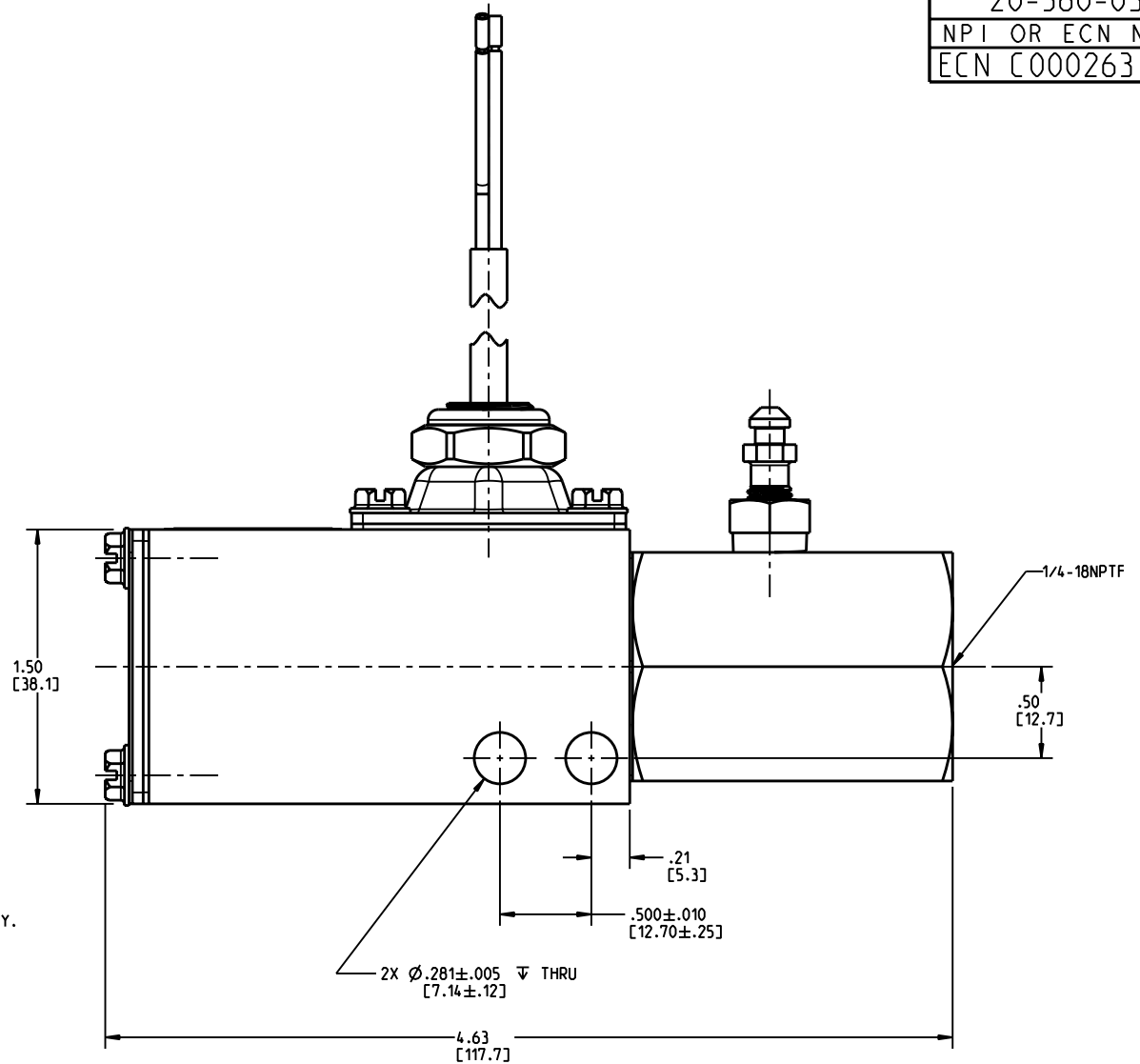
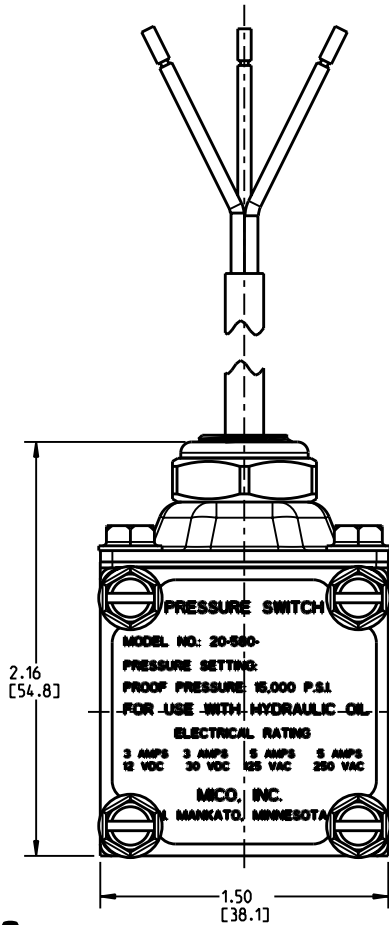


DRAWING NUMBER 20-580-038
NPI OR ECN NO
ECN C000263



NOTES:

- 1) FOR USE WITH MINERAL BASE HYDRAULIC OIL ONLY.
- 2) DIMENSIONS WILL VARY BETWEEN UNITS AND ARE FOR REFERENCE PURPOSES ONLY. MILLIMETER VALUES MAY NOT BE AN EXACT CONVERSION OF INCH VALUES.

PERFORMANCE CHARACTERISTICS:

- 1) TEMPERATURE RANGE: FOR PETROLEUM BASE OILS AND WATER
-45° TO +220° F.
(NITRILE RUBBER).
- 2) WEATHER RESISTANT ADJUSTABLE PRESSURE SWITCH:
- PRESSURE RANGE: INCREASING 250-1,050 PSI.
DECREASING 200-850 PSI.
- PROOF PRESSURE: 15,000 PSI.
- BURST PRESSURE: 25,000 PSI.
- LEAD WIRE LENGTH: 16" APPROXIMATE.
- WIRE CODE: BLACK - COMMON
RED - NORMALLY CLOSED
WHITE OR GREEN - NORMALLY OPEN
- 3) SWITCH SPECIFICATIONS:
- MICRO SWITCH P/N 115M3.
- SINGLE POLE DOUBLE THROW.

INCH
[MILLIMETER]



North Mankato, Minnesota USA

RATED			
12 VDC	30 VDC	125 VAC	250 VAC
3 AMPS INDUCTIVE	3 AMPS INDUCTIVE	5 AMPS	5 AMPS
5 AMPS RESISTIVE	5 AMPS RESISTIVE		

COMPONENT AND SYSTEM RECOMMENDATIONS MADE BY MICO, INC ARE BASED ON INFORMATION SUPPLIED BY POTENTIAL USER AND/OR SYSTEM DESIGNER. THE POTENTIAL USER AND/OR DESIGNER MUST MAKE FINAL ACCEPTANCE AND APPROVAL OF COMPONENTS AND SYSTEM AFTER TESTING PERFORMANCE ON AN ACTUAL APPLICATION FOR WHICH SYSTEM WAS DESIGNED.

MICO, INC CLAIMS PROPRIETARY RIGHTS TO THE MATERIAL DISCLOSED IN THIS DOCUMENT. THIS DOCUMENT IS PROVIDED IN CONFIDENCE AND MAY NOT BE REPRODUCED OR DISCLOSED WITHOUT WRITTEN PERMISSION FROM MICO, INC. COPYRIGHT MICO, INC. ALL RIGHTS RESERVED.

SCALE 1.000	TITLE PRESSURE SWITCH			
DWN JJH 01-Aug-06	APVD PROD ENGRG	SIZE A	DRAWING NUMBER 20-580-038	REV P
X NO	APVD ENGRG BSW		CUSTOMER COPY	0 0