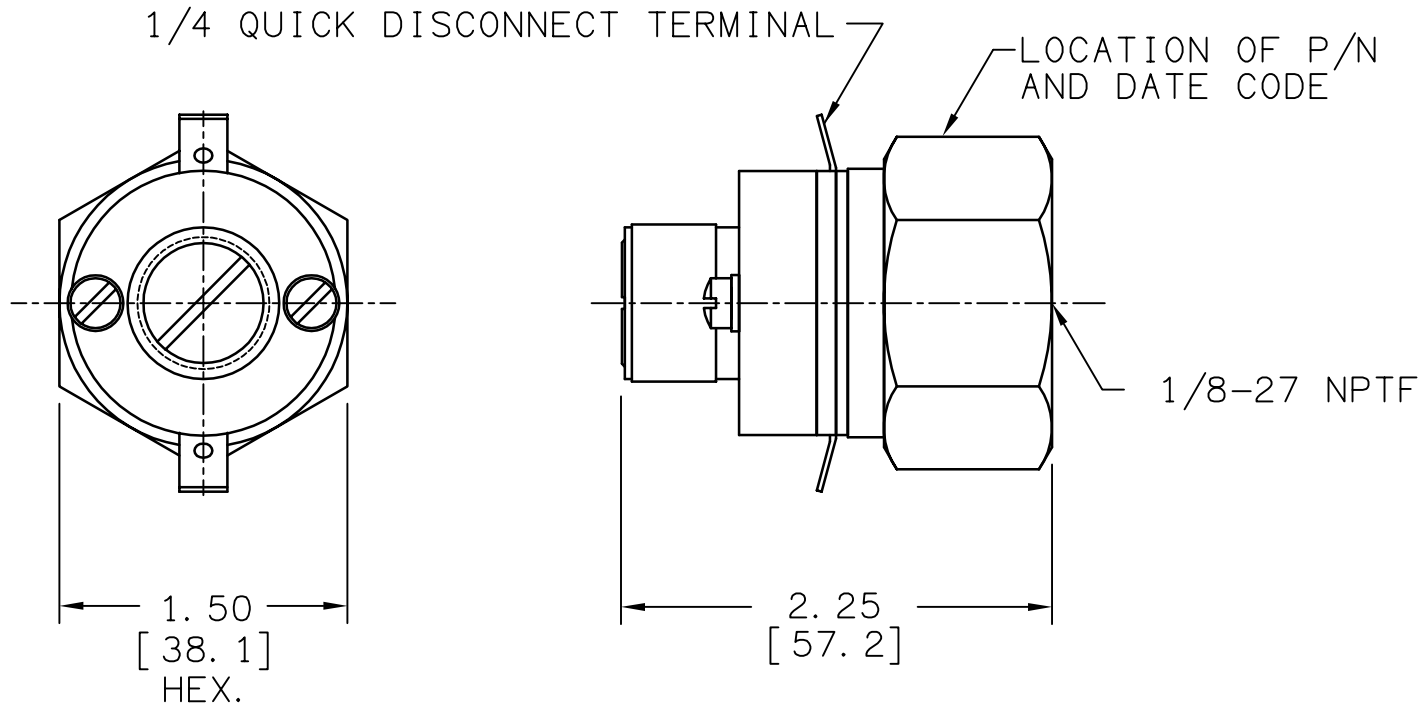


PART NUMBER 20-580-023
NPI OR ECN NO.
ECO 3281



NOTES:

1. FOR USE WITH MINERAL BASE HYDRAULIC OIL ONLY.
2. DIMENSIONS MAY VARY BETWEEN UNITS AND ARE FOR REFERENCE PURPOSES ONLY.

PERFORMANCE CHARACTERISTICS:

- CONTACT ARRANGEMENT: NORMALLY CLOSED.
- RATING: 30 AMP, 6 VDC
20 AMP, 12 VDC
- PRESSURE RANGE: 800-1200 PSI.
- DIFFERENTIAL: 10%
- MAXIMUM PRESSURE: 2000 PSI.

INCH
[MILLIMETER]

COMPONENT AND SYSTEM RECOMMENDATIONS MADE BY MICO, INC. ARE BASED ON INFORMATION SUPPLIED BY POTENTIAL USER AND/OR SYSTEM DESIGNER. THE POTENTIAL USER AND/OR DESIGNER MUST MAKE FINAL ACCEPTANCE AND APPROVAL OF COMPONENTS AND SYSTEM AFTER TESTING PERFORMANCE ON AN ACTUAL APPLICATION FOR WHICH SYSTEM WAS DESIGNED.

mico[®]

North Mankato, Minnesota U. S. A.

TITLE PRESSURE SWITCH			
SCALE 1-1	CHECKED SH	PART NUMBER 20-580-023	REV B
DRN JWH 05-APR-01	APP ENG JC	CUSTOMER COPY	

MICO, INC. CLAIMS PROPRIETARY RIGHTS TO THE MATERIAL DISCLOSED IN THIS DOCUMENT. THIS DOCUMENT IS PROVIDED IN CONFIDENCE AND MAY NOT BE REPRODUCED OR DISCLOSED WITHOUT WRITTEN PERMISSION FROM MICO, INC. COPYRIGHT MICO, INC. ALL RIGHTS RESERVED.