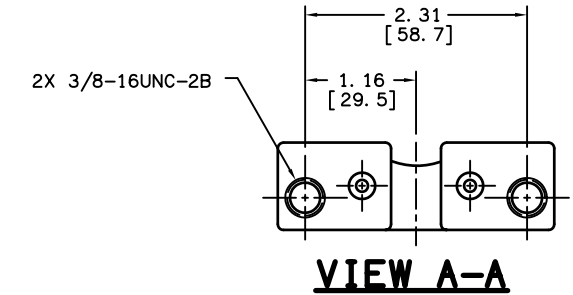
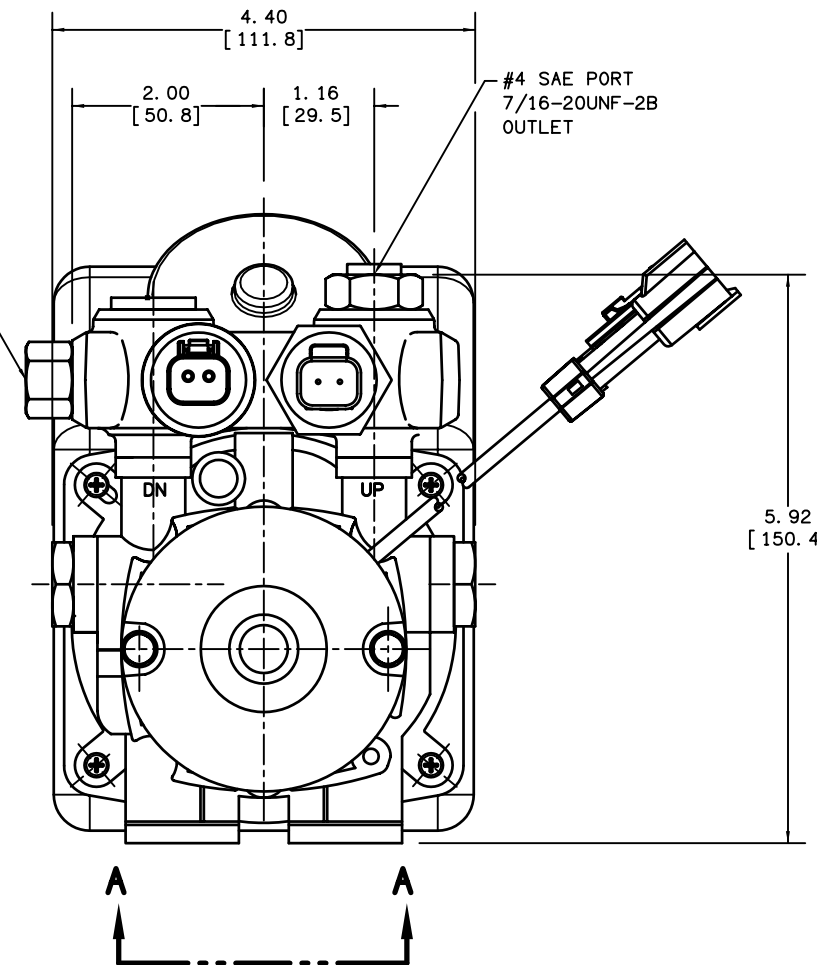
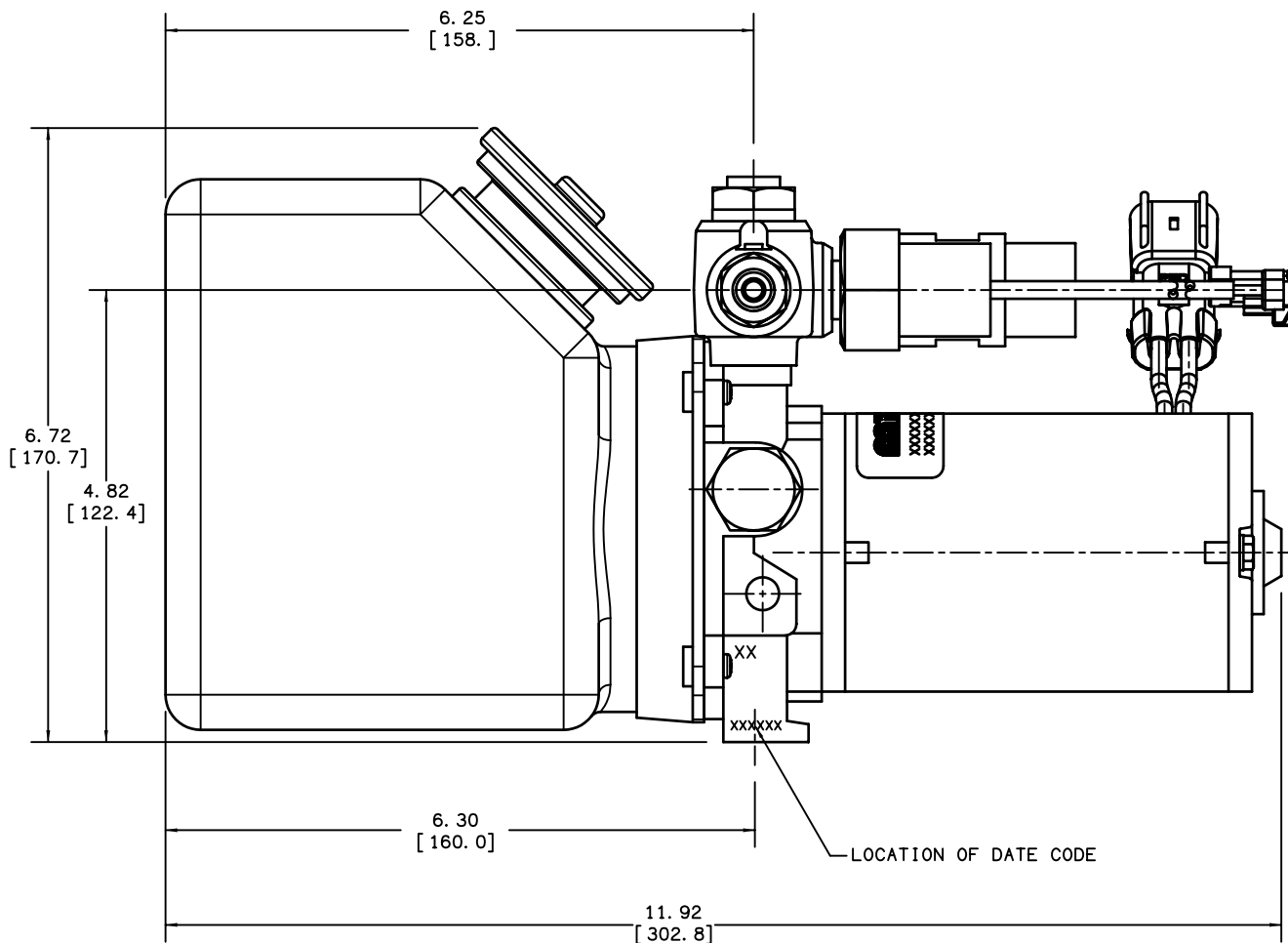


NOTES:

1. TO BE USED WITH DOT 5 OR MIL-B-46176 SILICONE FLUID ONLY.
2. DIMENSIONS MAY VARY BETWEEN UNITS AND ARE FOR REFERENCE PURPOSES ONLY. MILLIMETER VALUES MAY NOT BE AN EXACT CONVERSION OF INCH VALUES.

PERFORMANCE CHARACTERISTICS:

1. 12VDC REVERSIBLE MOTOR.
2. PUMP DISPLACEMENT .0149 CUIN PER REV.



INCH
[MILLIMETER]

mico North Mankato, Minnesota USA				
SCALE	TITLE			
1/2=1	POWER UNIT & MANIFOLD ASS'Y			
DWN LAM	APVD PROD ENGRG	SIZE	DRAWING NUMBER	REV
9-9-04		B	20-410-021	B
X NO	APVD ENGRG		CUSTOMER COPY	
	JC			

COMPONENT AND SYSTEM RECOMMENDATIONS MADE BY MICO, INC ARE BASED ON INFORMATION SUPPLIED BY POTENTIAL USER AND/OR SYSTEM DESIGNER. THE POTENTIAL USER AND/OR DESIGNER MUST MAKE FINAL ACCEPTANCE AND APPROVAL OF COMPONENTS AND SYSTEM AFTER TESTING PERFORMANCE ON AN ACTUAL APPLICATION FOR WHICH SYSTEM WAS DESIGNED.

MICO, INC CLAIMS PROPRIETARY RIGHTS TO THE MATERIAL DISCLOSED IN THIS DOCUMENT. THIS DOCUMENT IS PROVIDED IN CONFIDENCE AND MAY NOT BE REPRODUCED OR DISCLOSED WITHOUT WRITTEN PERMISSION FROM MICO, INC. COPYRIGHT MICO, INC. ALL RIGHTS RESERVED.