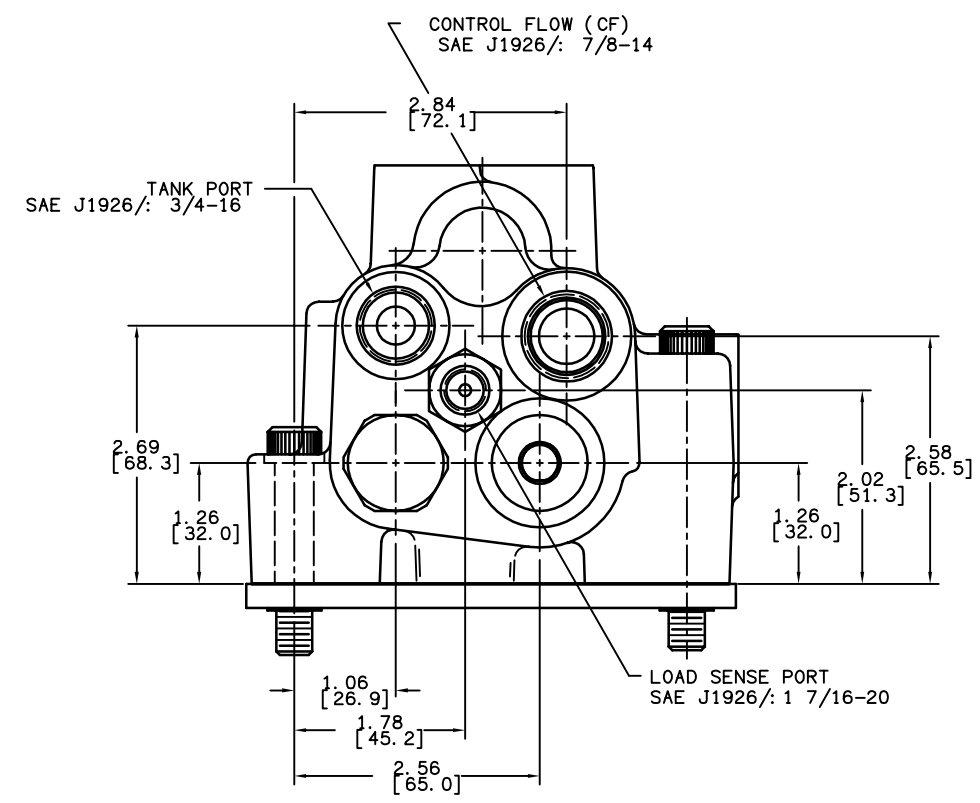
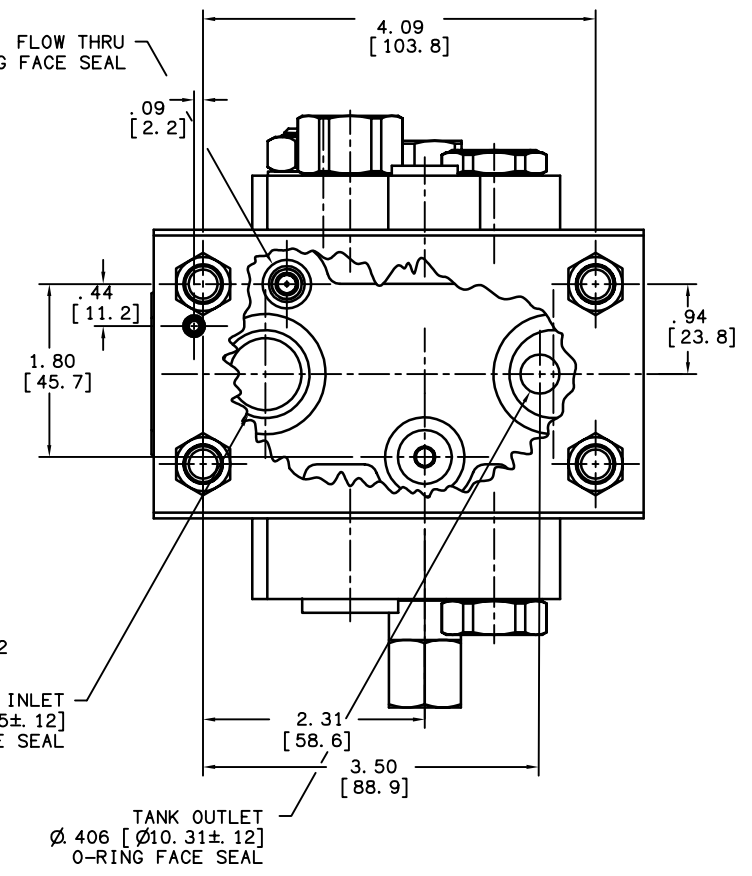
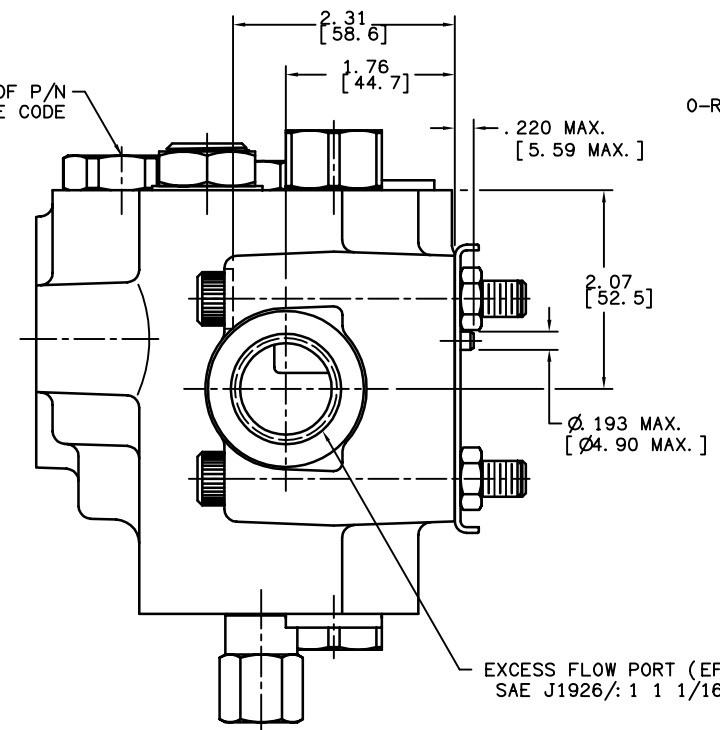
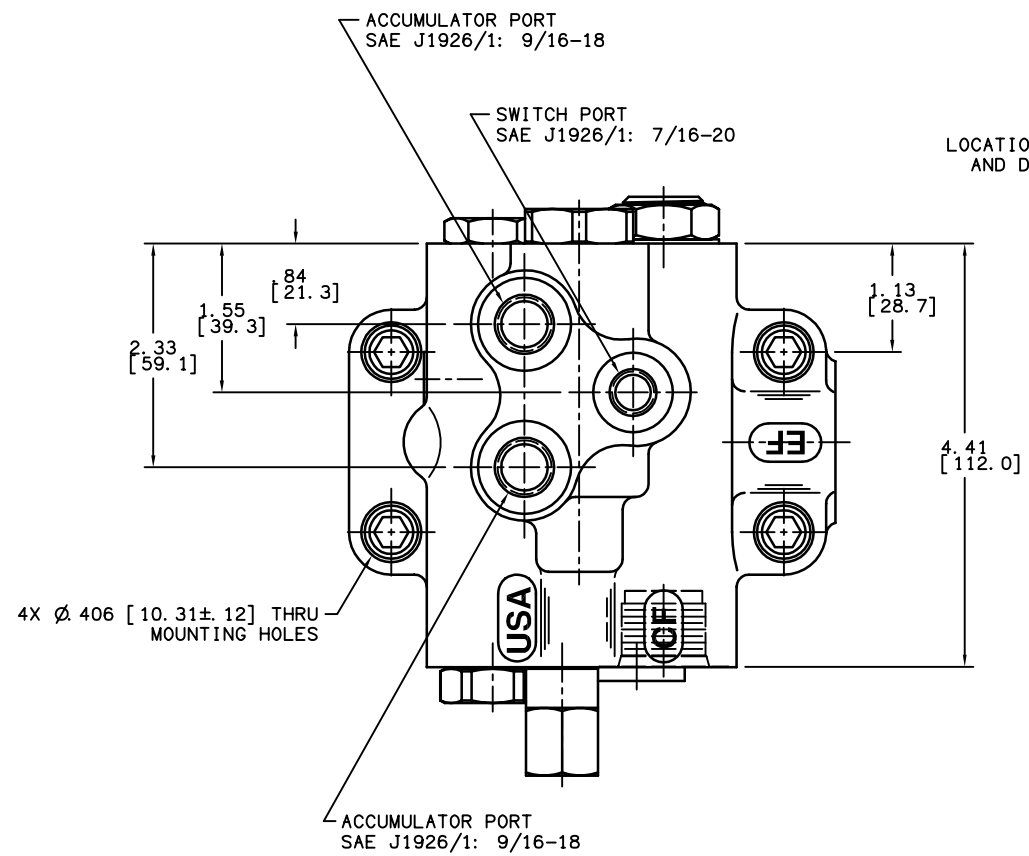


PART NUMBER
20-100-639
NPI OR ECN NO.
ECN E000111



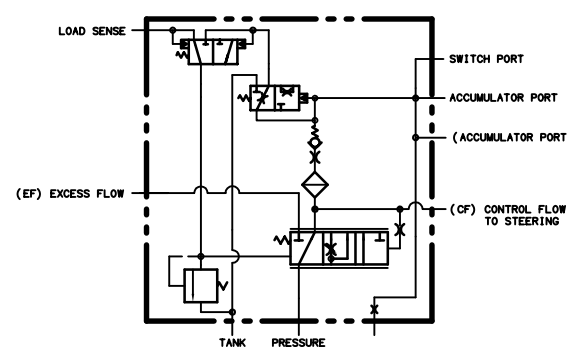
INCH
[MILLIMETER]

NOTES:

- 1) FOR USE WITH MINERAL BASE HYDRAULIC OIL ONLY.
- 2) DIMENSIONS MAY VARY SLIGHTLY BETWEEN UNITS AND ARE TO BE USED FOR REFERENCE PURPOSES ONLY.
- 3) REPAIR KIT P/N 06-400-177.

PERFORMANCE CHARACTERISTICS:

- 1) ACCUMULATOR CHARGING LIMITS ARE SET AT 1075±50 PSI LOW LIMIT AND 1950±50 PSI HIGH LIMIT
- 2) PRIORITY RELIEF VALVE TO BE 2375±100 PSI MEASURED AT THE LS PORT ON THE CUSTOMER'S MACHINE.
NOTE: PRIORITY RELIEF VALVE SET TO 2675±50 PSI MEASURED AT THE CF PORT WITH 7±1 GPM SUPPLY FLOW ON THE MICO, INC. TEST STAND.
- 3) STANDBY PRESSURE IS APPROXIMATELY 160 PSI AT 5 GPM FLOW.
- 4) ACCUMULATOR CHARGE RATE IS APPROXIMATELY 0.8 +.4/-.3 GPM @ 1000 PSI.
- 5) INTERNAL FILTRATION IS 54 MICRON OR BETTER TO THE ACCUMULATORS.



COMPONENT AND SYSTEM RECOMMENDATIONS MADE BY MICO, INC. ARE BASED ON INFORMATION SUPPLIED BY POTENTIAL USER AND/OR SYSTEM DESIGNER. THE POTENTIAL USER AND/OR DESIGNER MUST MAKE FINAL ACCEPTANCE AND APPROVAL OF COMPONENTS AND SYSTEM AFTER TESTING PERFORMANCE ON AN ACTUAL APPLICATION FOR WHICH SYSTEM WAS DESIGNED.

MICO, INC. CLAIMS PROPRIETARY RIGHTS TO THE MATERIAL DISCLOSED IN THIS DOCUMENT. THIS DOCUMENT IS PROVIDED IN CONFIDENCE AND MAY NOT BE REPRODUCED OR DISCLOSED WITHOUT WRITTEN PERMISSION FROM MICO, INC. COPYRIGHT MICO, INC. ALL RIGHTS RESERVED.

TITLE PRIORITY /CHARGE VALVE (STATIC SIGNAL)			
SCALE 1/2	CHECKED PM	PART NUMBER 20-100-639	REV G
DRN JRA 11-01-02	APP ENG PWB	CUSTOMER COPY	