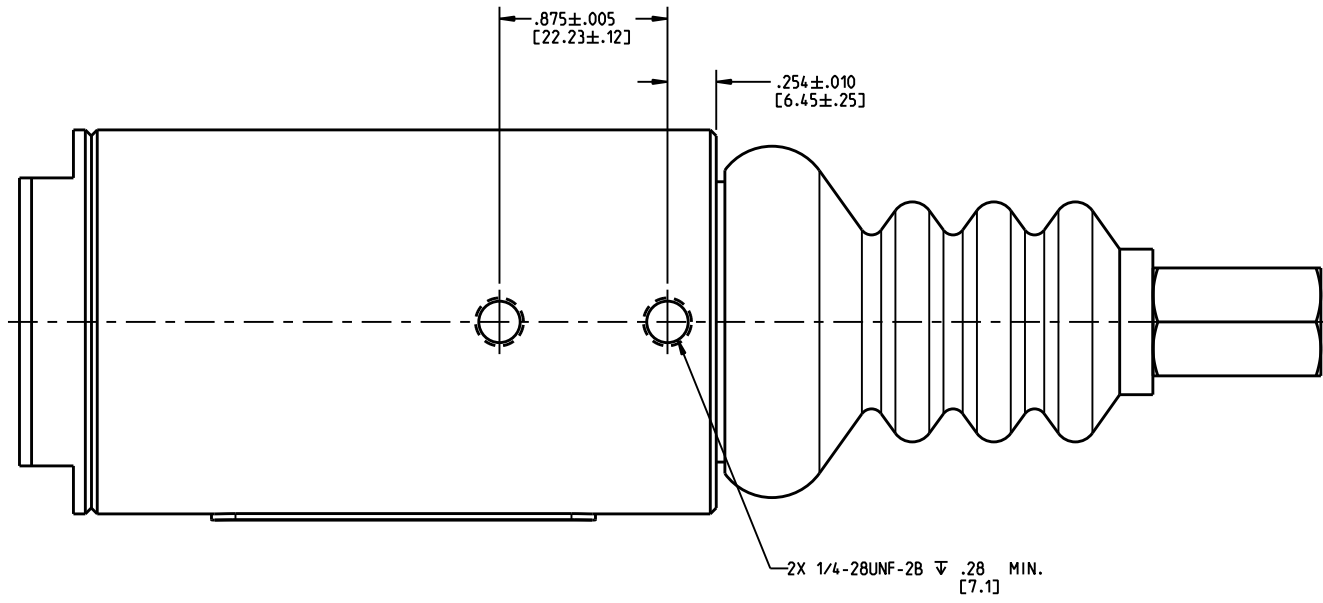
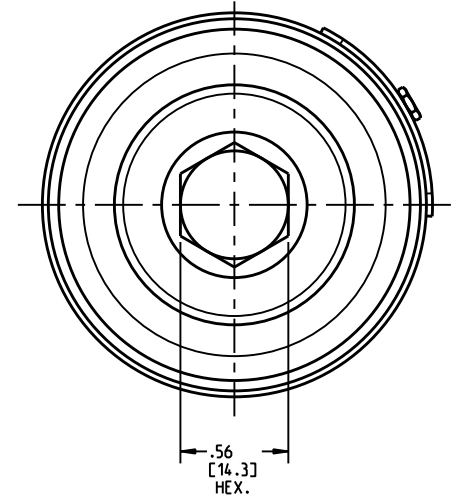
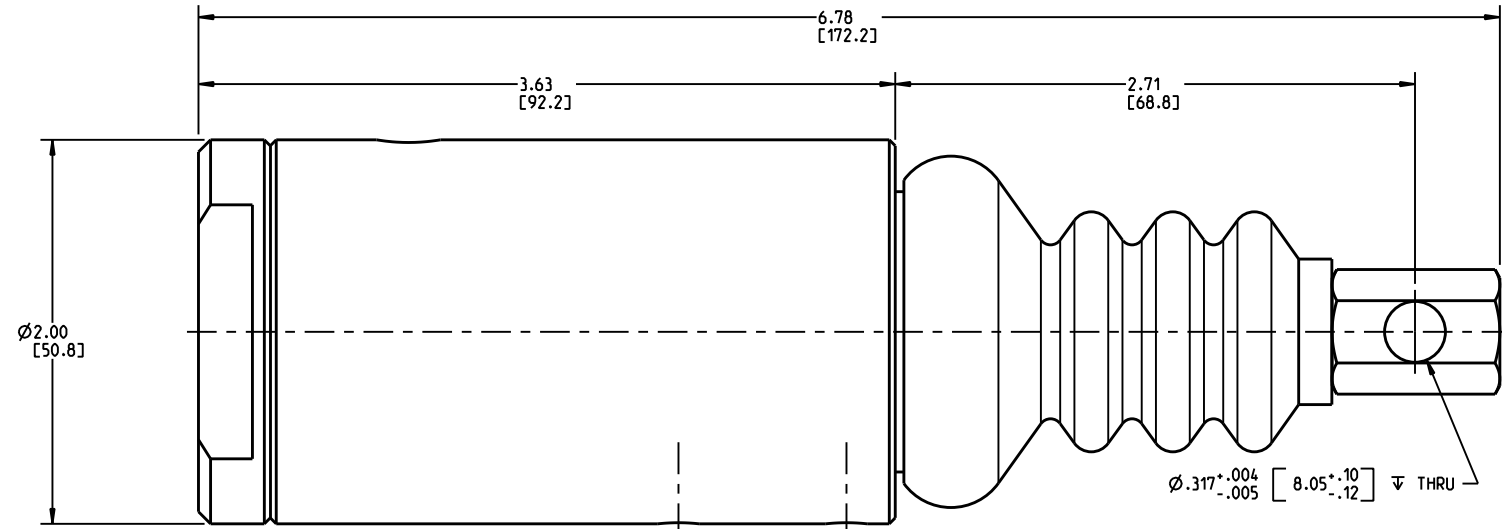
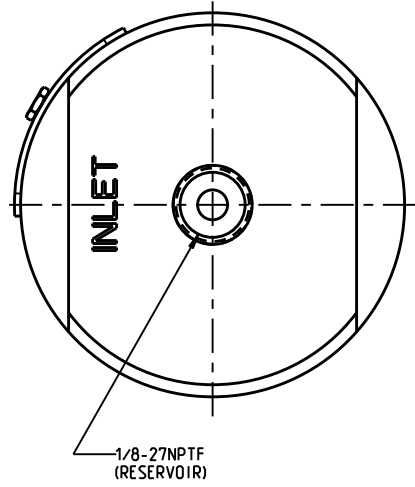
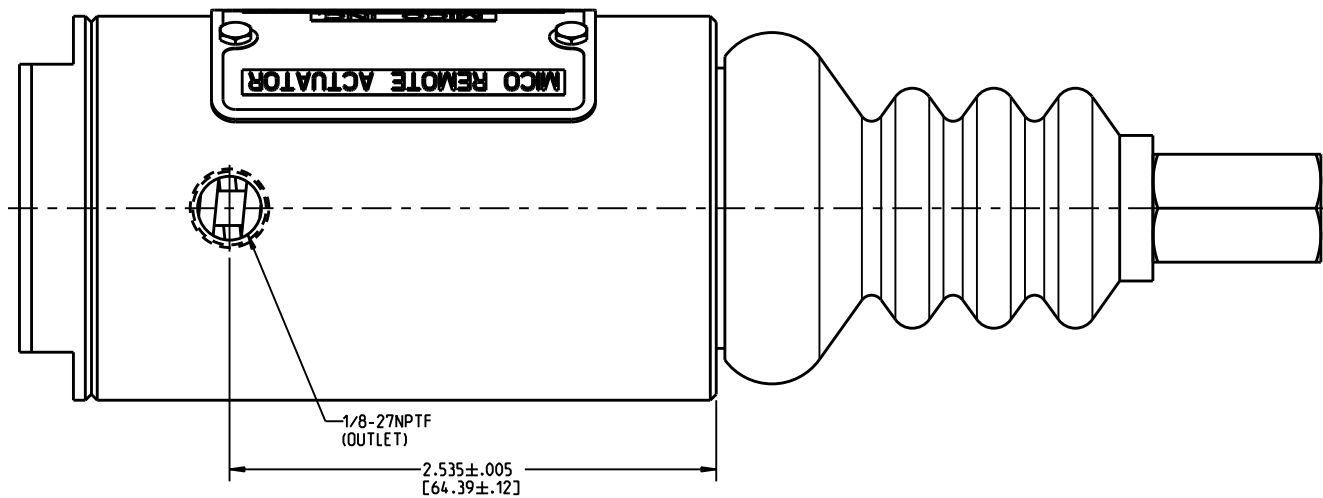


DRAWING NUMBER  
20-080-156  
NPI OR ECN NO  
NPI B000071



INCH  
[MILLIMETER]

**MICO**  
North Mankato, Minnesota USA

**NOTES:**  
1. FOR USE WITH HYDRAULIC FLUIDS COMPATIBLE WITH NITRILE SEALS.  
2. REPAIR KIT 02-400-067.  
3. EXTERNAL PARTS ARE STAINLESS STEEL.

**PERFORMANCE CHARACTERISTICS:**  
1. BORE: Ø1.125 IN  
2. STROKE: 1.250 IN  
3. EFFECTIVE DISPLACEMENT: 1.180 CUIN

COMPONENT AND SYSTEM RECOMMENDATIONS MADE BY MICO, INC ARE BASED ON INFORMATION SUPPLIED BY POTENTIAL USER AND/OR SYSTEM DESIGNER. THE POTENTIAL USER AND/OR DESIGNER MUST MAKE FINAL ACCEPTANCE AND APPROVAL OF COMPONENTS AND SYSTEM AFTER TESTING PERFORMANCE ON AN ACTUAL APPLICATION FOR WHICH SYSTEM WAS DESIGNED.

MICO, INC CLAIMS PROPRIETARY RIGHTS TO THE MATERIAL DISCLOSED IN THIS DOCUMENT. THIS DOCUMENT IS PROVIDED IN CONFIDENCE AND MAY NOT BE REPRODUCED OR DISCLOSED WITHOUT WRITTEN PERMISSION FROM MICO, INC. COPYRIGHT MICO, INC. ALL RIGHTS RESERVED.

SCALE 1.000	TITLE REMOTE ACTUATOR	SIZE B	DRAWING NUMBER 20-080-156	REV C
DWN JRA 2012-07-10	APVD PROD ENGRG DPD 2012-07-17		CUSTOMER COPY	1 2
X NO X08-2318-100	APVD ENGRG BSW 2012-07-16			