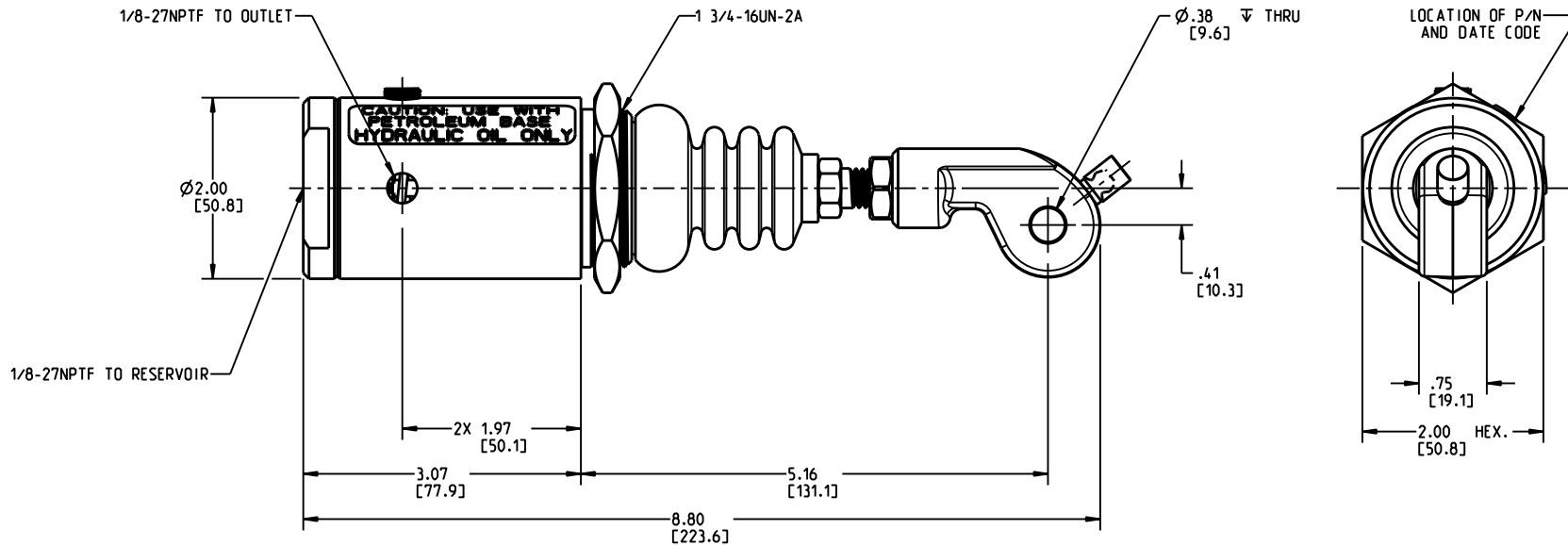


DRAWING NUMBER 20-080-139
NPI OR ECN NO
ECN B001008



INCH
(MILLIMETER)

NOTES:

1. TO BE USED WITH MINERAL BASE HYDRAULIC OIL ONLY.
2. DIMENSIONS MAY VARY BETWEEN UNITS AND ARE TO BE USED FOR REFERENCE PURPOSES ONLY. MILLIMETER VALUES MAY NOT BE AN EXACT CONVERSION OF INCH VALUES.
3. SURFACE COATING: ZINC CHROMATE CLEAR PER ASTM B633.
4. REPAIR KIT 02-400-162.

PERFORMANCE CHARACTERISTICS:

1. BORE: Ø1.125 IN
2. STROKE: 1.250 IN
3. EFFECTIVE DISPLACEMENT: 1.180 CUIN



North Mankato, Minnesota USA

COMPONENT AND SYSTEM RECOMMENDATIONS MADE BY MICO, INC ARE BASED ON INFORMATION SUPPLIED BY POTENTIAL USER AND/OR SYSTEM DESIGNER. THE POTENTIAL USER AND/OR DESIGNER MUST MAKE FINAL ACCEPTANCE AND APPROVAL OF COMPONENTS AND SYSTEM AFTER TESTING PERFORMANCE ON AN ACTUAL APPLICATION FOR WHICH SYSTEM WAS DESIGNED.

MICO, INC CLAIMS PROPRIETARY RIGHTS TO THE MATERIAL DISCLOSED IN THIS DOCUMENT. THIS DOCUMENT IS PROVIDED IN CONFIDENCE AND MAY NOT BE REPRODUCED OR DISCLOSED WITHOUT WRITTEN PERMISSION FROM MICO, INC. COPYRIGHT MICO, INC. ALL RIGHTS RESERVED.

SCALE 1.000		TITLE ACTUATOR		
DWN MAP 2011-04-21	APVD PROD ENGRG DPD 2011-05-10	SIZE A	DRAWING NUMBER 20-080-139	REV E
X NO X7012	APVD ENGRG BSW 2011-04-25		CUSTOMER COPY	1 1