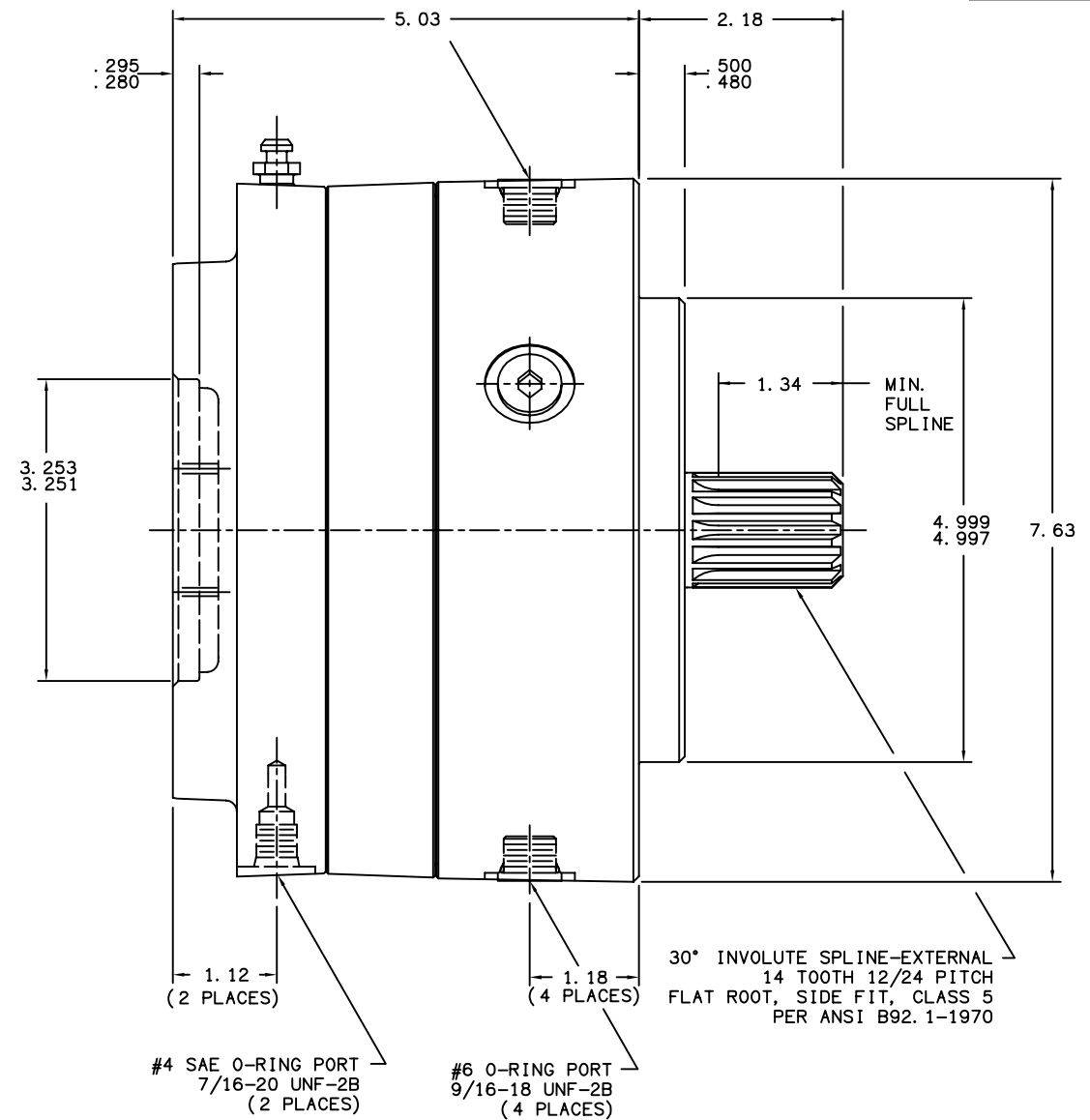
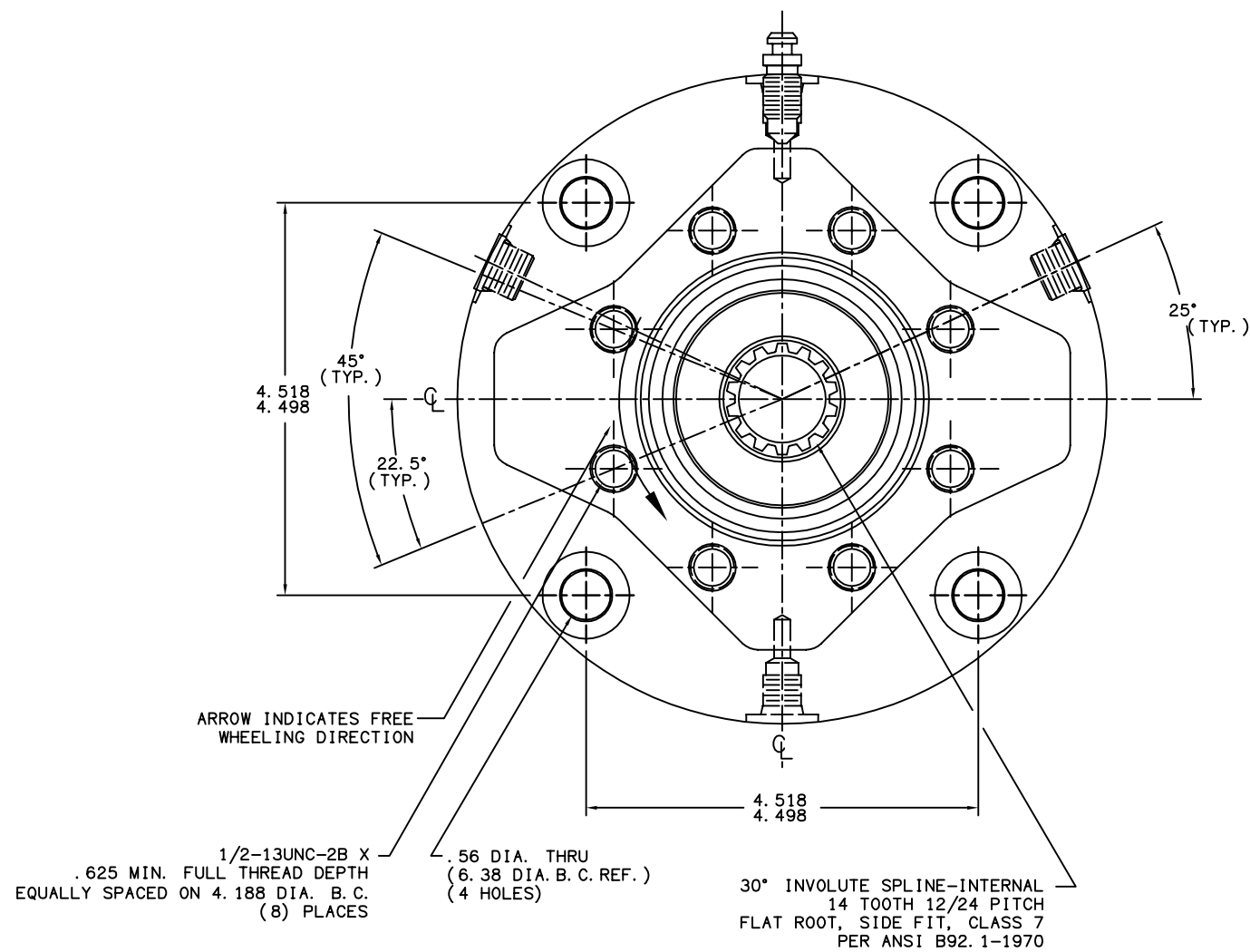


CAUTION:

OILS CONTAINING SLIPPERY OR ANTI-WEAR ADDITIVES, SUCH AS GRAPHITE OR MOLYBDENUM DISULFIDE, OR EXTREME PRESS. (E.P.) TYPE LUBRICANTS SHOULD NOT BE USED, THESE LUBRICANTS MAY ALLOW THE BRAKE TO SLIP AT TORQUE LEVELS BELOW THE RATED VALUES.

PART NUMBER
13-602-020
NPI OR ECN NO.
ECO S-1703

IF USED IN SUMP CONDITION
REPLACE THIS O-RING PLUG WITH
A VENTED TYPE PLUG.



NOTES:

- 1.) LINING REPAIR KIT P/N 12-501-214
- 2.) BEARING REPAIR KIT P/N 12-501-094
- 3.) O-RING REPAIR KIT P/N 12-501-295
- 4.) SPRING REPAIR KIT P/N 12-501-294

SPECIFICATIONS:

TYPE:	WET MULTIPLE DISC BRAKE, (WITH ONE WAY CLUTCH) SPRING APPLY, HYDRAULIC RELEASE
TORQUE RATING:	6,500 LB-IN STATIC (BREAKAWAY) AT 0 PSI BACK PRESSURE
RELEASE PRESSURE:	220 PSI INITIAL, 300 PSI FULL
MAXIMUM OPERATING PRESSURE:	3,000 PSI
MAXIMUM SPEED:	NON-FREE WHEELING DIRECTION: (FLOW THRU) 4,000 RPM (SUMP) 3,000 RPM FREE WHEELING DIRECTION: (FLOW THRU & SUMP) 4,000 RPM
LINING MATERIAL:	METALLIC GRAPHITIC
APPROXIMATE WEIGHT:	42 LBS.
FOR USE WITH MINERAL BASE HYDRAULIC OIL ONLY.	

COOLING OIL RECOMMENDATIONS:

OIL TYPE: MINERAL BASE HYDRAULIC OIL SUCH AS MOBIL DTE 24, CITGO A/W 32 OR EQUIVALENT
FLOW THRU CAPACITY: 1.0 - 7.0 GPM
MAXIMUM CASE PRESSURE: 30 PSI
SUMP OIL VOLUME: 6 FL. OZ.

BRAKE IS DESIGNED FOR HORIZONTAL USE ONLY



COMPONENT AND SYSTEM RECOMMENDATIONS MADE BY MICO, INC. ARE BASED ON INFORMATION SUPPLIED BY POTENTIAL USER AND/OR SYSTEM DESIGNER. THE POTENTIAL USER AND/OR DESIGNER MUST MAKE FINAL ACCEPTANCE AND APPROVAL OF COMPONENTS AND SYSTEM AFTER TESTING PERFORMANCE ON AN ACTUAL APPLICATION FOR WHICH SYSTEM WAS DESIGNED.		MICO, INC. CLAIMS PROPRIETARY RIGHTS TO THE MATERIAL DISCLOSED IN THIS DOCUMENT. THIS DOCUMENT IS PROVIDED IN CONFIDENCE AND MAY NOT BE REPRODUCED OR DISCLOSED WITHOUT WRITTEN PERMISSION FROM MICO, INC. COPYRIGHT MICO, INC. ALL RIGHTS RESERVED.	
TITLE WINCH BRAKE 3CWC-141465-MCW			
SCALE 1:2	CHECKED LH 08/29/03	PART NUMBER 13-602-020	REV D
DRN G. J. 05/29/03	APP ENG GAA 08/29/03	CUSTOMER COPY	