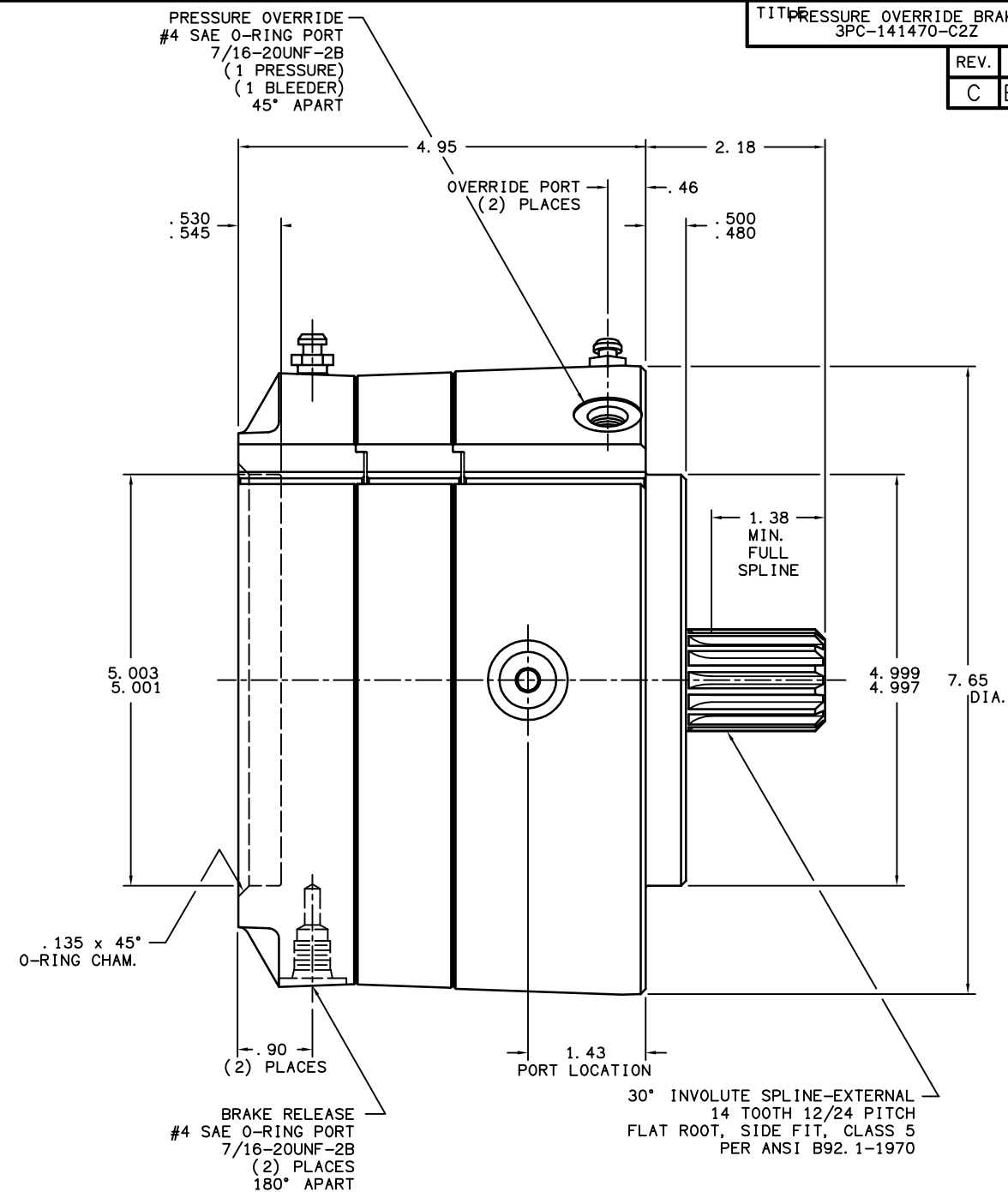
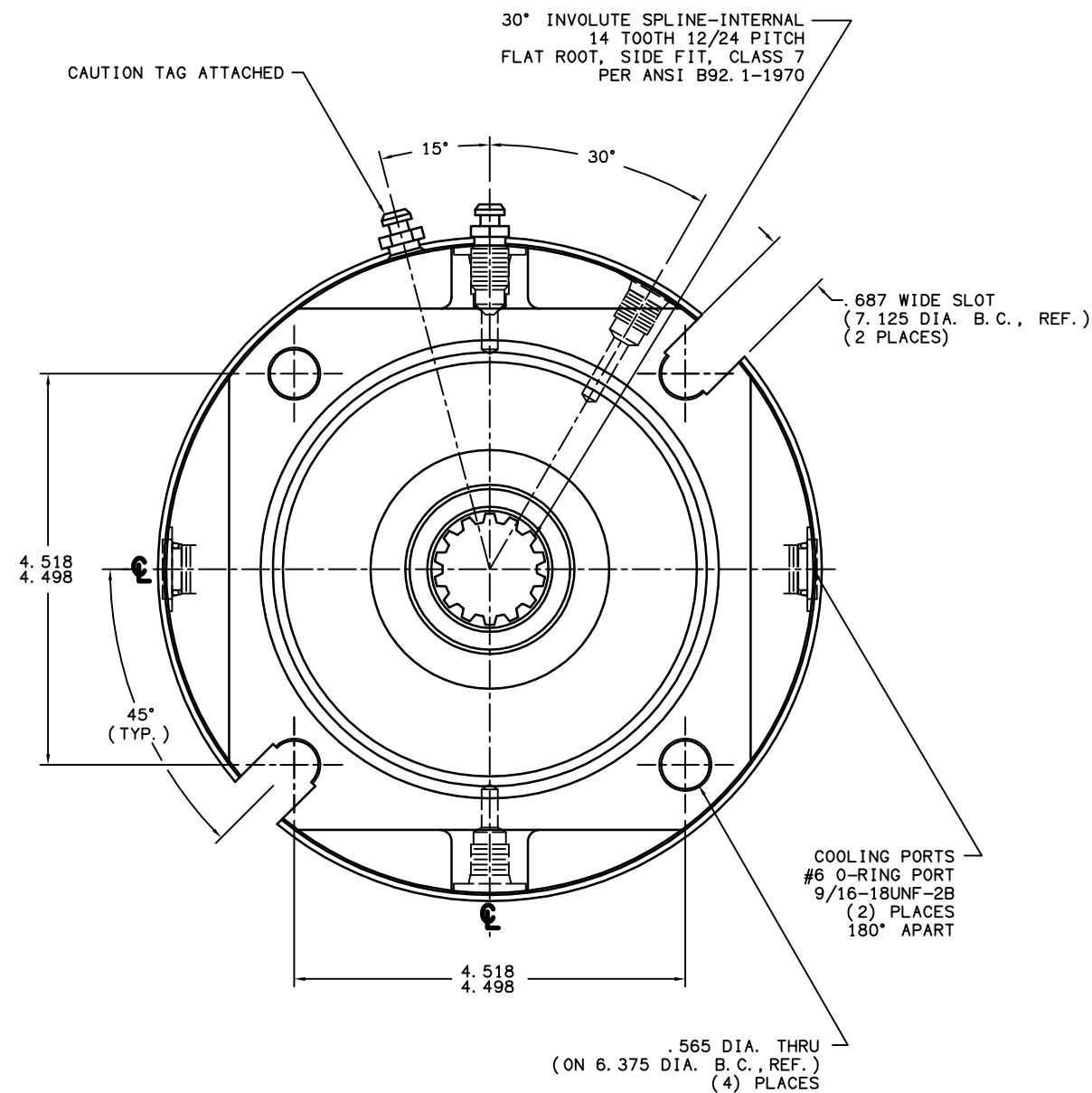


TITLE: PRESSURE OVERRIDE BRAKE 3PC-141470-C2Z		PART NUMBER 13-597-048
REV.	NPR OR ECO NO.	DATE
C	ECN000117	02/13/06



NOTES:

- 1) LINING REPAIR KIT P/N 12-501-321
- 2) BEARING REPAIR KIT P/N 12-501-322
- 3) O-RING REPAIR KIT P/N 12-501-323
- 4) SPRING REPAIR KIT P/N 12-501-324

SPECIFICATIONS:

TYPE: WET MULTIPLE DISC BRAKE, SPRING APPLY, HYDRAULIC RELEASE. (WITH PRESSURE OVERRIDE)

FAILSAFE SECTION:
TORQUE RATING: WET 4,600 LB-IN STATIC (BREAKAWAY) AT 0 PSI BACK PRESSURE

DRY 7,000 LB-IN DRY TORQUE FOR BRAKE RATING AND SPECIFICATIONS ONLY.

RELEASE PRESSURE: 200 PSI INITIAL, 280 PSI FULL
3,000 PSI MAX. CONTINUOUS

SERVICE OVERRIDE SECTION:
TORQUE RATING: 6,200 LB-IN (WET) @ 1,000 PSI
MAXIMUM INPUT PRESSURE: 1,000 PSI

MAXIMUM SPEED: 4,000 RPM, HOWEVER, MAXIMUM SPEED AT TIME OF SERVICE APPLY IS DEPENDENT ON PRODUCT APPLICATION.

APPROXIMATE WEIGHT: 44 LBS.

FOR USE WITH MINERAL BASE HYDRAULIC OIL ONLY.

COOLING OIL RECOMMENDATIONS:

OIL TYPE: MINERAL BASE HYDRAULIC OIL SUCH AS MOBIL DTE 24, CITGO A/W 32 OR EQUIVALENT

FLOW THRU CAPACITY: 1.0 - 7.0 GPM

MAXIMUM CASE PRESSURE: 30 PSI

SUMP OIL VOLUME:
HORIZONTAL: 4 FL. OZ.
VERTICAL: CONTACT FACTORY

MICO, INC. CLAIMS PROPRIETARY RIGHTS TO THE MATERIAL DISCLOSED IN THIS DOCUMENT. THIS DOCUMENT IS PROVIDED IN CONFIDENCE AND MAY NOT BE REPRODUCED OR DISCLOSED WITHOUT WRITTEN PERMISSION FROM MICO, INC. COPYRIGHT MICO, INC. ALL RIGHTS RESERVED.

mico		North Mankato, Minnesota U.S.A.	
SCALE 1:2	PART NUMBER 13-597-048		REV. C
X NO. x6510	CUSTOMER COPY		
DRAWN			
REVISED AO			
DATE 02/13/06	CHECKED DMM 03/01/06	APPROVED GAA ENG. 03/01/06	