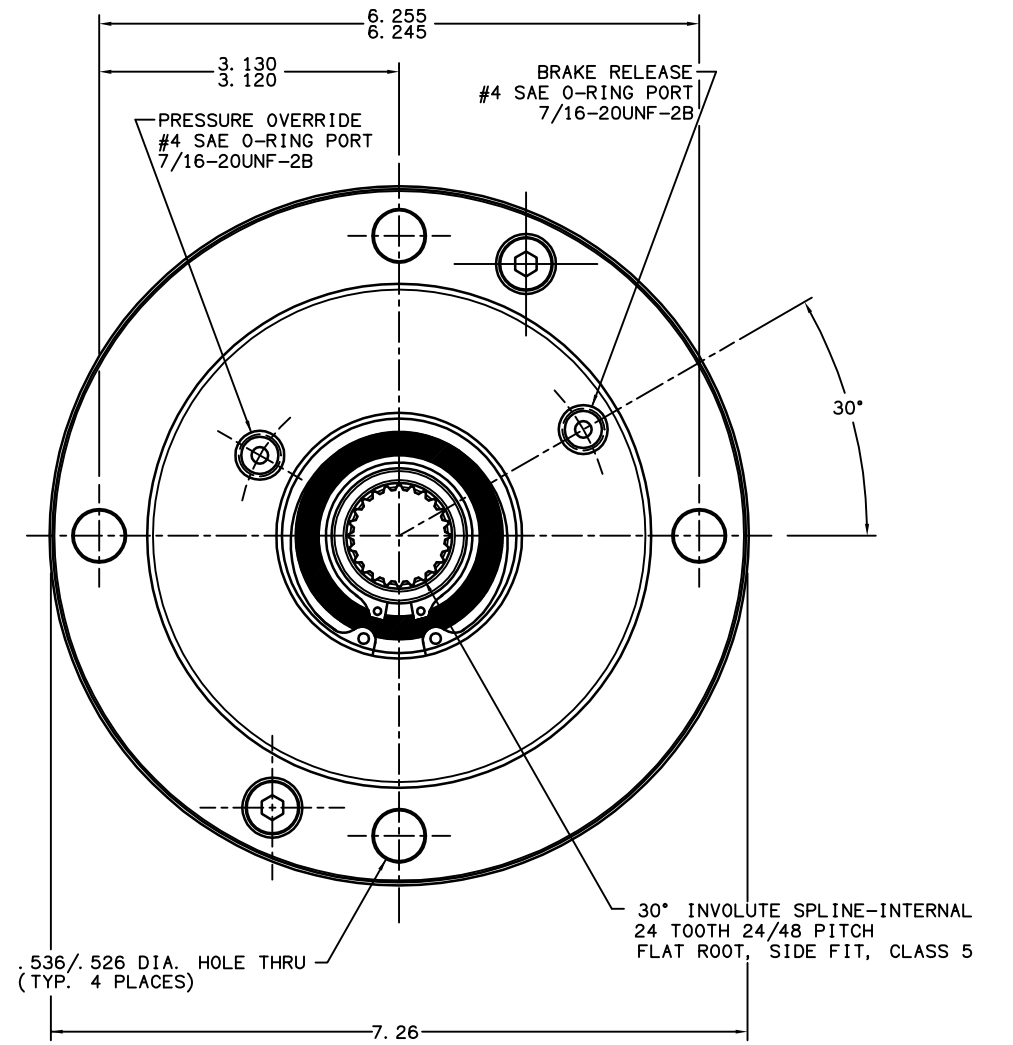
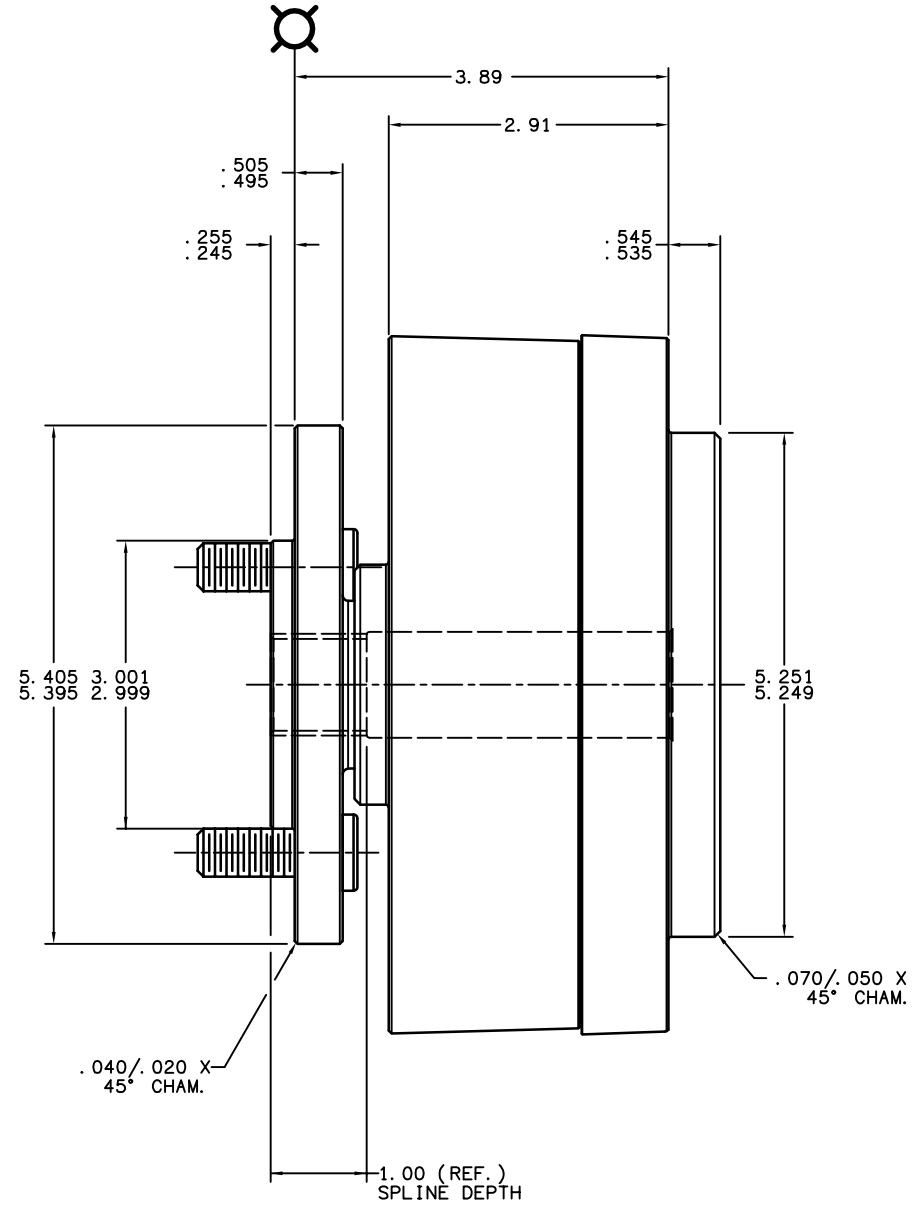
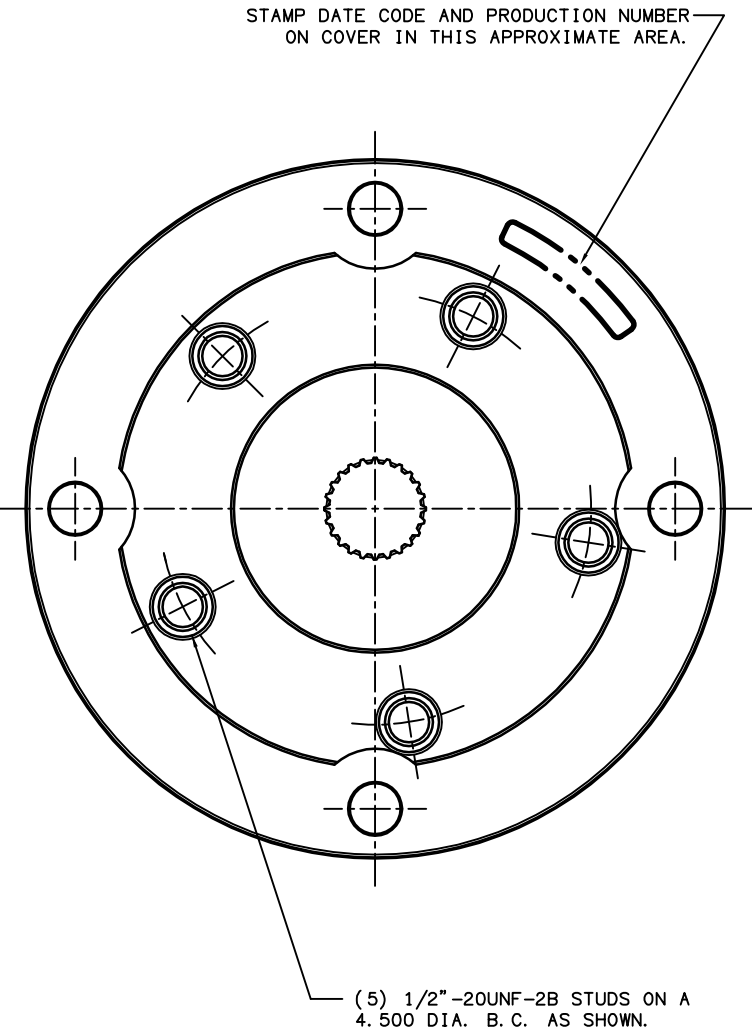


PART NUMBER
13-587-078
NPI OR ECN NO.
ECN0000141



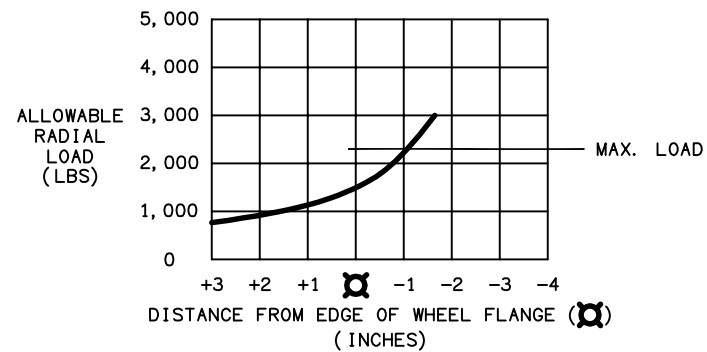
NOTES:

1.) REPAIR KIT P/N 12-501-433

SPECIFICATIONS:

- TYPE:** WET MULTIPLE DISC BRAKE, SPRING APPLY, HYDRAULIC RELEASE WITH HYDRAULIC APPLY SERVICE (PARKING BRAKE)
 - TORQUE RATING:** 4,200 LB-IN STATIC (BREAKAWAY) AT 0 PSI BACK PRESSURE
 - RELEASE PRESSURE:** 460 PSI INITIAL, 550 PSI FULL
 - MAXIMUM OPERATING PRESSURE:** 3,000 PSI
 - MAXIMUM SPEED:** 300 RPM
 - LINING MATERIAL:** NON-METALLIC BASED
 - APPROXIMATE WEIGHT:** 27 LBS.
 - SERVICE BRAKE SECTION:** 2,000 LB-IN MAX. AT 1000 PSI INPUT PRESSURE. MAX. ALLOWABLE PRESSURE 1000 PSI
- FOR USE WITH MINERAL BASE HYDRAULIC OIL ONLY.

LOAD CAPACITY @ 270 RPM AND B10 = 2,400 HRS



COMPONENT AND SYSTEM RECOMMENDATIONS MADE BY MICO, INC. ARE BASED ON INFORMATION SUPPLIED BY POTENTIAL USER AND/OR SYSTEM DESIGNER. THE POTENTIAL USER AND/OR DESIGNER MUST MAKE FINAL ACCEPTANCE AND APPROVAL OF COMPONENTS AND SYSTEM AFTER TESTING PERFORMANCE ON AN ACTUAL APPLICATION FOR WHICH SYSTEM WAS DESIGNED.				MICO, INC. CLAIMS PROPRIETARY RIGHTS TO THE MATERIAL DISCLOSED IN THIS DOCUMENT. THIS DOCUMENT IS PROVIDED IN CONFIDENCE AND MAY NOT BE REPRODUCED OR DISCLOSED WITHOUT WRITTEN PERMISSION FROM MICO, INC. COPYRIGHT MICO, INC. ALL RIGHTS RESERVED.			
TITLE MINI WHEEL BRAKE PRESSURE OVERRIDE							
SCALE 1:2	CHECKED	PART NUMBER 13-587-078	REV D				
DRN A0 04/27/07	APP ENG	CUSTOMER COPY					