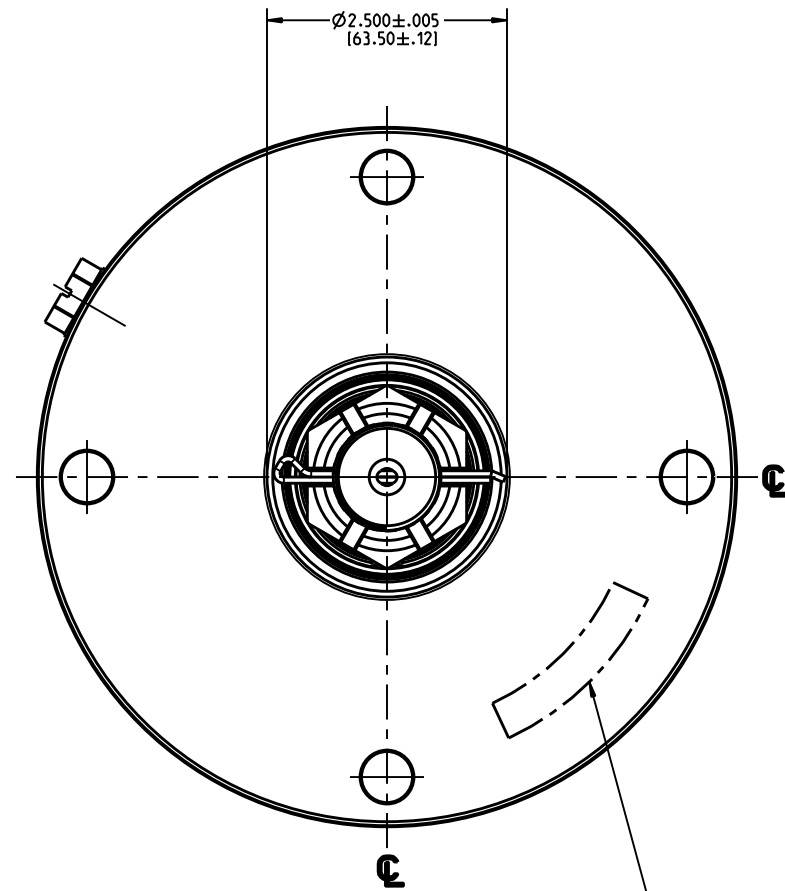
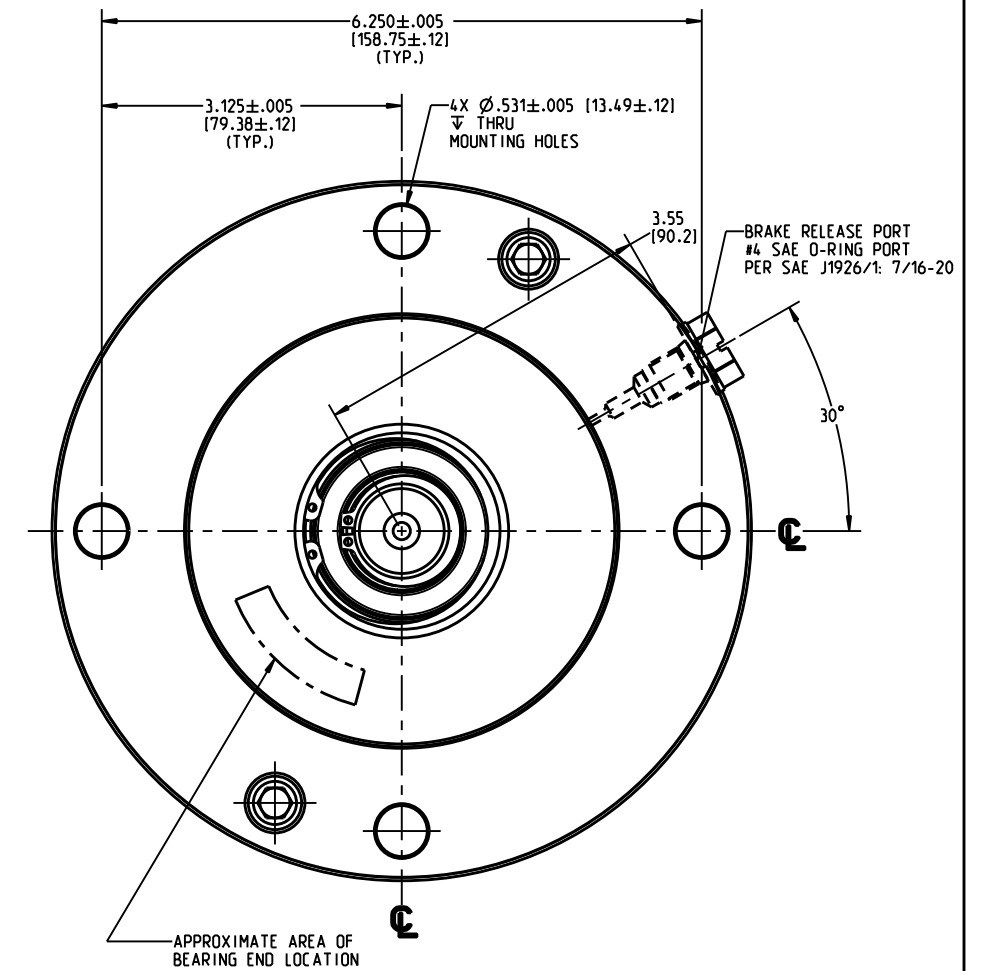
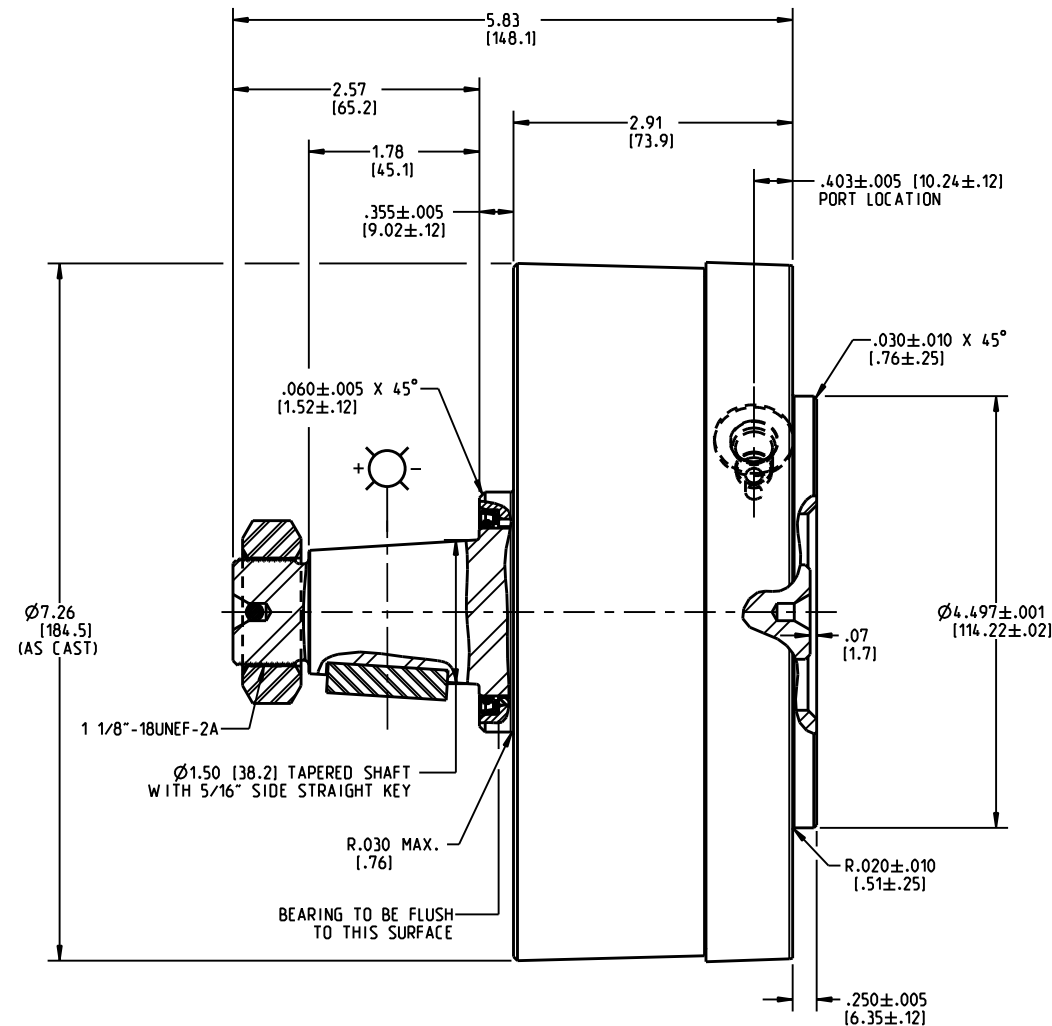


DRAWING NUMBER
13-587-070
NPI OR ECN NO
ECN000374



PART NUMBER AND DATE CODE STAMPED ON COVER IN THIS APPROXIMATE LOCATION



NOTES:

1. FOR USE WITH MINERAL BASE HYDRAULIC OIL ONLY.
2. DIMENSIONS MAY VARY BETWEEN UNITS AND ARE FOR REFERENCE PURPOSES ONLY. MILLIMETER VALUES MAY NOT BE AN EXACT CONVERSION OF INCH VALUES.
3. REPAIR KIT P/N 12-501-428
4. BRAKE SURFACE COATING: BLACK SEMI GLOSS ACRYLIC PRIMER.

SPECIFICATIONS:

TYPE:	DRY MULTIPLE DISC BRAKE. SPRING APPLY. HYDRAULIC RELEASE
TORQUE RATING:	6.000 LBIN STATIC (BREAKAWAY) AT 0 PSI BACK PRESSURE
RELEASE PRESSURE:	255 PSI INITIAL. 295 PSI FULL
MAXIMUM OPERATING PRESSURE:	3.000 PSI CONTINUOUS. 4.000 INTERMITTENT
MAXIMUM SPEED:	100 RPM
LINING MATERIAL:	HIGH PERFORMANCE NON-METALLIC
APPROXIMATE WEIGHT:	22 LB

INCH
(MILLIMETER)

MICO North Mankato, Minnesota USA				
SCALE	TITLE	SIZE	DRAWING NUMBER	REV
0.500	MW-50060-R MINI WHEEL BRAKE	B	13-587-070	E
DWN RGS1 2011-11-18	APVD PROD ENGRG PJS 2011-12-14		CUSTOMER COPY	
X NO X6644	APVD ENGRG BLF 2011-11-18			

COMPONENT AND SYSTEM RECOMMENDATIONS MADE BY MICO, INC ARE BASED ON INFORMATION SUPPLIED BY POTENTIAL USER AND/OR SYSTEM DESIGNER. THE POTENTIAL USER AND/OR DESIGNER MUST MAKE FINAL ACCEPTANCE AND APPROVAL OF COMPONENTS AND SYSTEM AFTER TESTING PERFORMANCE ON AN ACTUAL APPLICATION FOR WHICH SYSTEM WAS DESIGNED.

MICO, INC CLAIMS PROPRIETARY RIGHTS TO THE MATERIAL DISCLOSED IN THIS DOCUMENT. THIS DOCUMENT IS PROVIDED IN CONFIDENCE AND MAY NOT BE REPRODUCED OR DISCLOSED WITHOUT WRITTEN PERMISSION FROM MICO, INC. COPYRIGHT MICO, INC. ALL RIGHTS RESERVED.