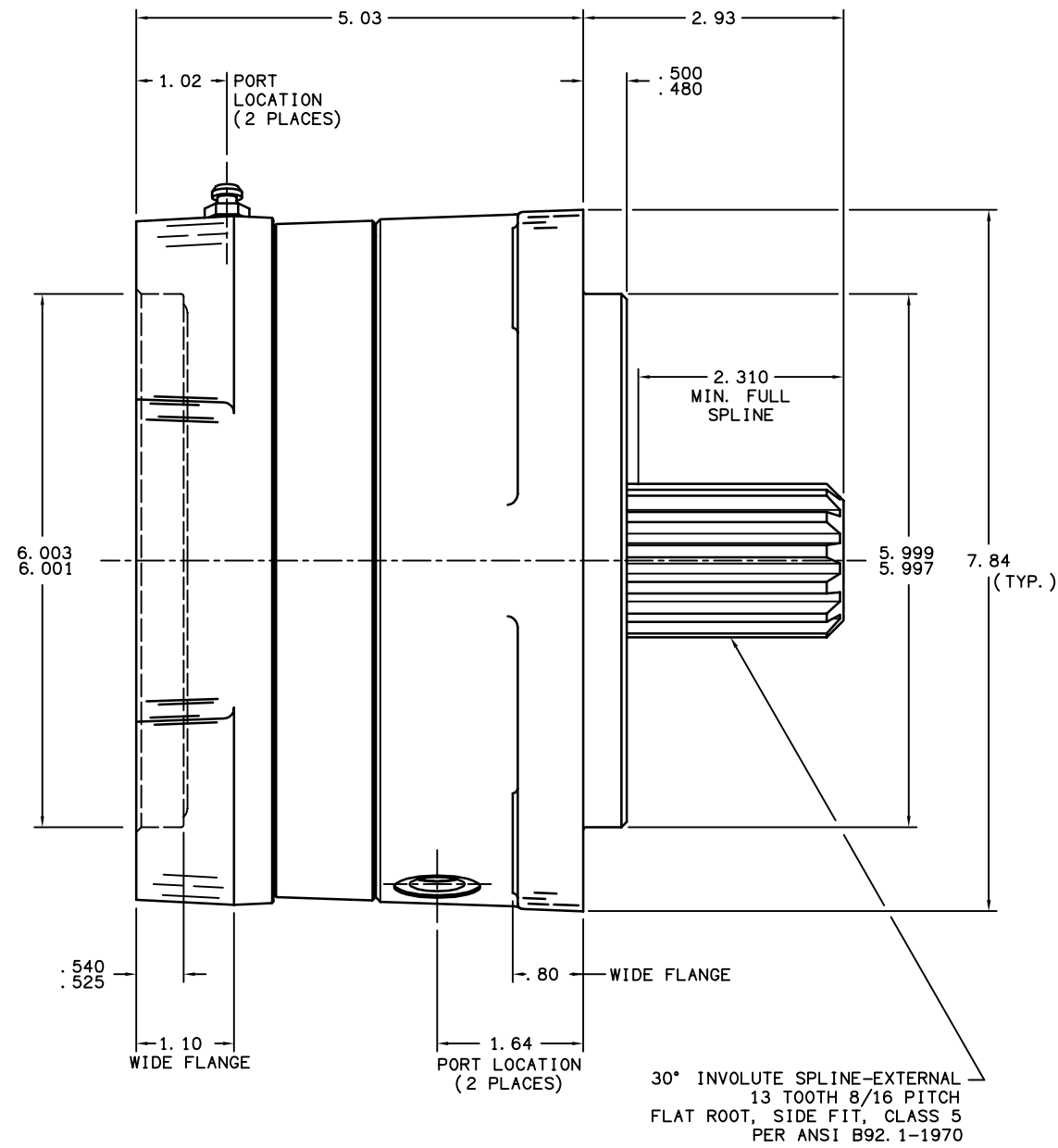
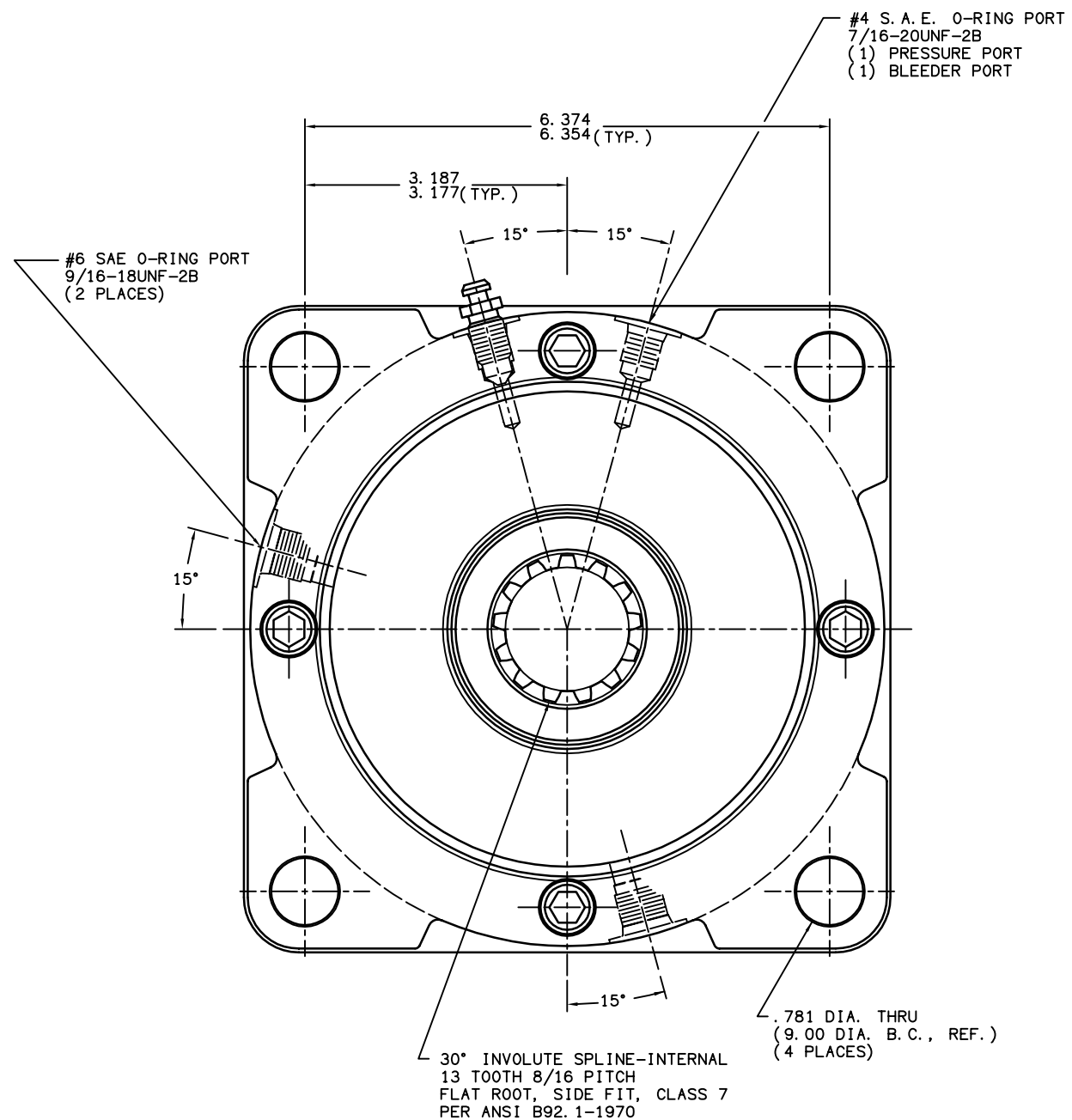


TITLE MULTIPLE DISC BRAKE 3D-131324-DZVN		PART NUMBER 13-552-064
REV.	NPR OR ECO NO.	DATE
B	ECO S-1731	01/27/04



**NOTES:**

- 1) O-RING REPAIR KIT P/N 12-501-346
- 2) BEARING REPAIR KIT P/N 12-501-345
- 3) SPRING REPAIR KIT P/N 12-501-251
- 4) LINING REPAIR KIT P/N 12-501-306

**SPECIFICATIONS:**

**TYPE:** WET MULTIPLE DISC BRAKE, SPRING APPLY, HYDRAULIC RELEASE

**TORQUE RATING:** WET 16,000 LB-IN STATIC (BREAKAWAY) AT 0 PSI BACK PRESSURE  
DRY 24,000 LB-IN DRY TORQUE FOR BRAKE RATING AND SPECIFICATIONS ONLY

**RELEASE PRESSURE:** 330 PSI INITIAL, 470 PSI FULL

**MAXIMUM OPERATING PRESSURE:** 3,000 PSI

**MAXIMUM SPEED:** 3,900 RPM

**LINING MATERIAL:** SINTERED BRONZE

**APPROXIMATE WEIGHT:** 52 LBS.  
FOR USE WITH MINERAL BASE HYDRAULIC OIL ONLY.

**COOLING OIL RECOMMENDATIONS:**

OIL TYPE: MINERAL BASE HYDRAULIC OIL SUCH AS MOBIL DTE 24, CITGO A/W 32 OR EQUIVALENT

FLOW THRU CAPACITY: 1.0 - 7.0 GPM

MAXIMUM CASE PRESSURE: 15 PSI

SUMP OIL VOLUME:  
HORIZONTAL: 5 FL. OZ.  
VERTICAL: CONTACT FACTORY

MICO, INC. CLAIMS PROPRIETARY RIGHTS TO THE MATERIAL DISCLOSED IN THIS DOCUMENT. THIS DOCUMENT IS PROVIDED IN CONFIDENCE AND MAY NOT BE REPRODUCED OR DISCLOSED WITHOUT WRITTEN PERMISSION FROM MICO, INC. COPYRIGHT MICO, INC. ALL RIGHTS RESERVED.

<b>mico</b> North Mankato, Minnesota U.S.A.		
SCALE 1:2	PART NUMBER 13-552-064	REV. B
X NO. x4375-60	CUSTOMER COPY	
DRAWN G. J.		
REVISION		
DATE 05/11/01	CHECKED	APPROVED ENG. KMM 05/11/01