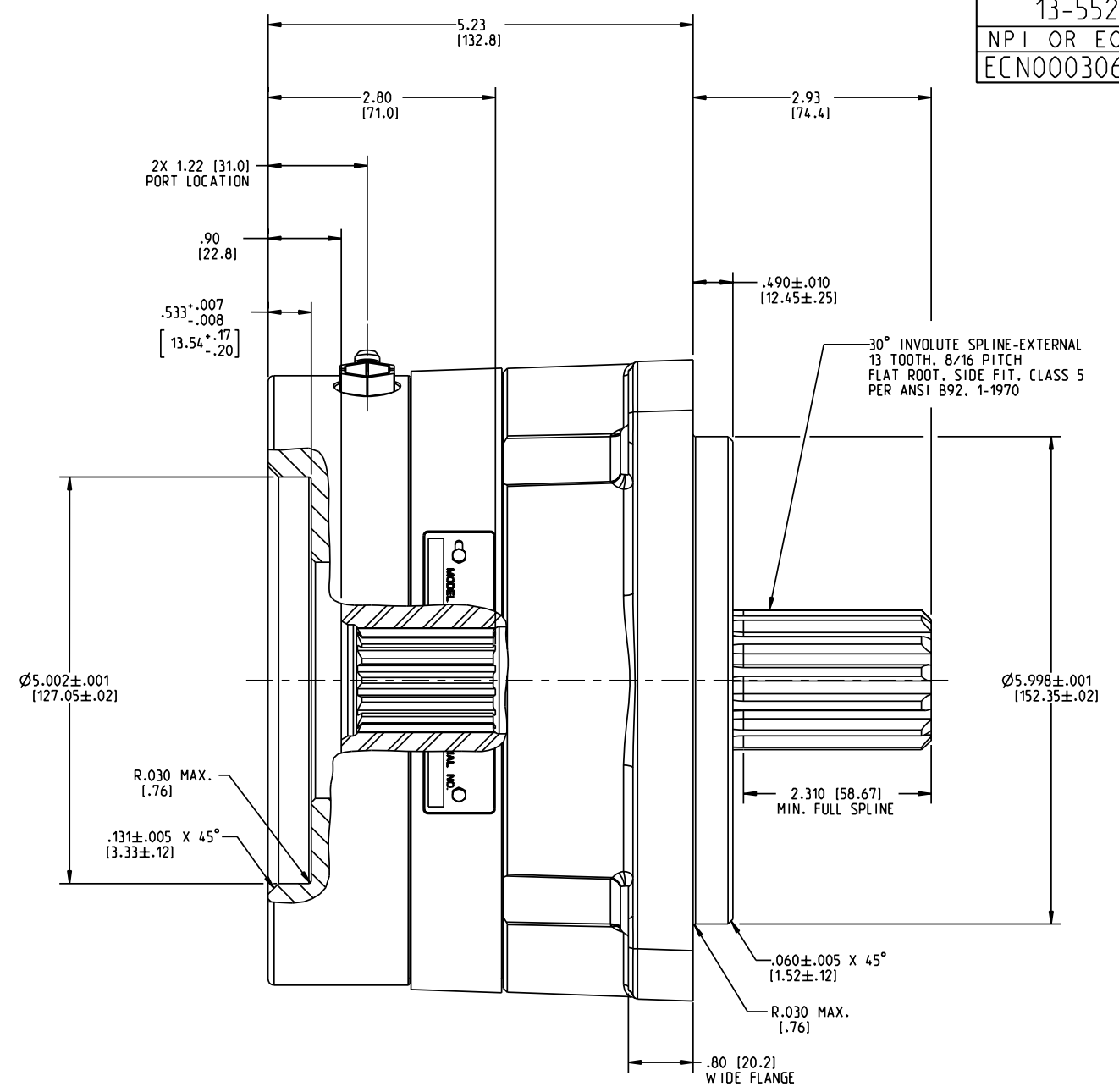
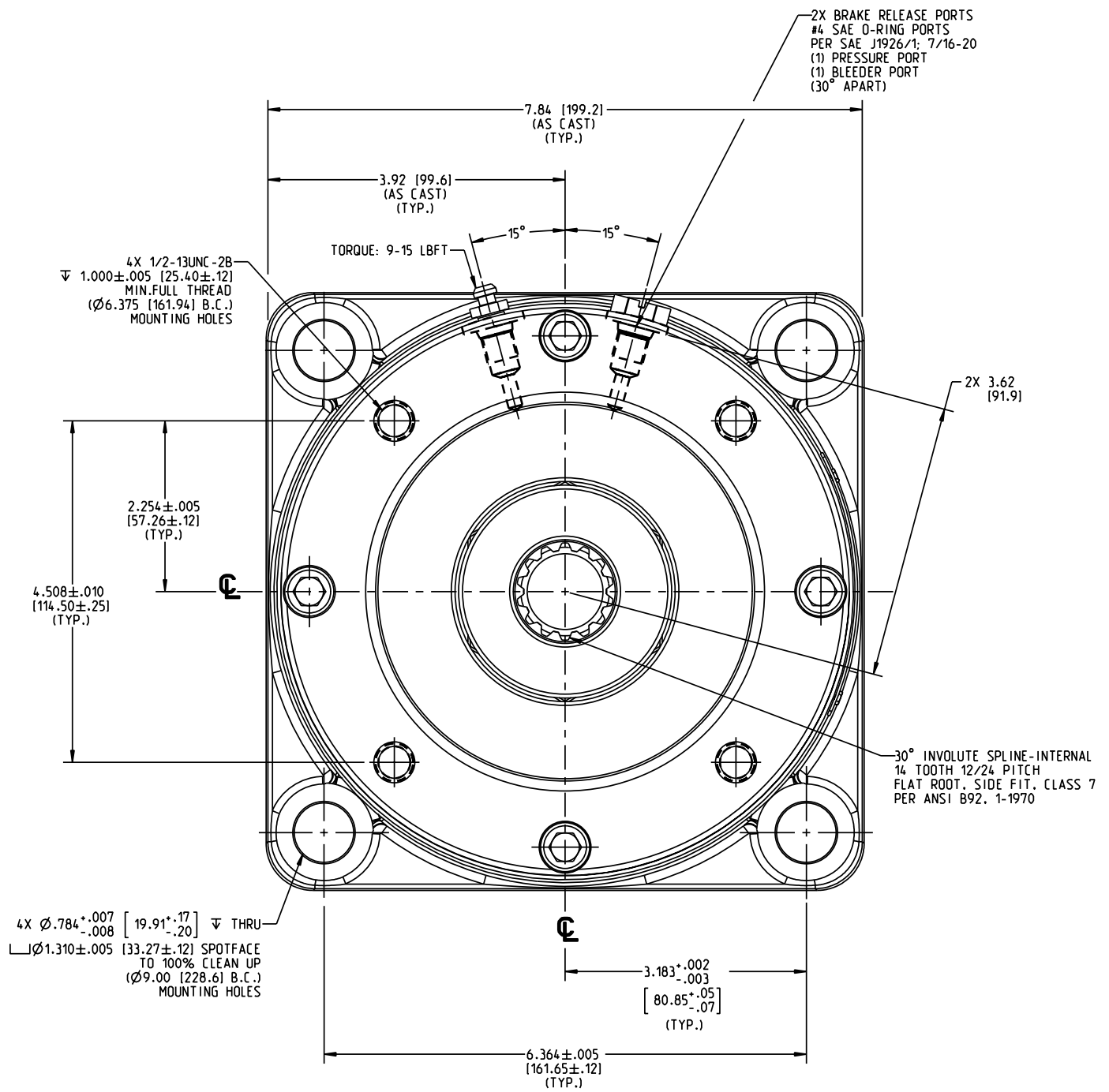


DRAWING NUMBER
13-552-018
NPI OR ECN NO
ECN000306




NOTES:

1. FOR USE WITH MINERAL BASE HYDRAULIC OIL ONLY
2. DIMENSIONS MAY VARY BETWEEN UNITS AND ARE FOR REFERENCES PURPOSES ONLY
MILLIMETER VALUES MAY NOT BE AN EXACT CONVERSION OF INCH VALUES.
3. LINING REPAIR KIT P/N 12-501-306
4. BEARING REPAIR KIT P/N 12-501-250
5. O-RING REPAIR KIT P/N 12-501-249
6. SPRING REPAIR KIT P/N 12-501-251

SPECIFICATIONS:

| | |
|-----------------------------|--|
| TYPE: | DRY MULTIPLE DISC BRAKE, SPRING APPLY, HYDRAULIC RELEASE |
| TORQUE RATING: | 10,000 LBIN STATIC (BREAKAWAY) AT 0 PSI BACK PRESSURE |
| RELEASE PRESSURE: | 150 PSI INITIAL, 200 PSI FULL |
| MAXIMUM OPERATING PRESSURE: | 3,000 PSI |
| MAXIMUM SPEED: | 3,900 RPM |
| LINING MATERIAL: | SINTERED BRONZE |
| APPROXIMATE WEIGHT: | 50 LB |

INCH
[MILLIMETER]



North Mankato, Minnesota USA

| | | | | |
|-------------------------|---|-----------|------------------------------|----------|
| SCALE 0.500 | TITLE 3D-131410-C MULTIPLE DISC BRAKE | SIZE B | DRAWING NUMBER 13-552-018 | REV F |
| DWN RGBSI 2010-07-27 | APVD PROD ENGRG PJS 2010-08-18 | | CUSTOMER COPY | |
| X NO | APVD ENGRG RV 2010-08-05 | | | |

COMPONENT AND SYSTEM RECOMMENDATIONS MADE BY MICO, INC ARE BASED ON INFORMATION SUPPLIED BY POTENTIAL USER AND/OR SYSTEM DESIGNER. THE POTENTIAL USER AND/OR DESIGNER MUST MAKE FINAL ACCEPTANCE AND APPROVAL OF COMPONENTS AND SYSTEM AFTER TESTING PERFORMANCE ON AN ACTUAL APPLICATION FOR WHICH SYSTEM WAS DESIGNED.

MICO, INC CLAIMS PROPRIETARY RIGHTS TO THE MATERIAL DISCLOSED IN THIS DOCUMENT. THIS DOCUMENT IS PROVIDED IN CONFIDENCE AND MAY NOT BE REPRODUCED OR DISCLOSED WITHOUT WRITTEN PERMISSION FROM MICO, INC. COPYRIGHT MICO, INC. ALL RIGHTS RESERVED.