

- NOTES:**
- 1) USE MINERAL BASE HYDRAULIC OIL ONLY FOR BRAKE RELEASE.
 - 2) DIMENSIONS MAY VARY BETWEEN UNITS AND ARE FOR REFERENCE PURPOSES ONLY. MILLIMETER VALUES MAY NOT BE AN EXACT CONVERSION OF INCH VALUES.
 - 3) LINING REPAIR KIT P/N 12-501-227
 - 4) BEARING REPAIR KIT P/N 12-501-006
 - 5) O-RING REPAIR KIT P/N 12-501-002
 - 6) SPRING REPAIR KIT P/N 12-501-008

SPECIFICATIONS:

TYPE: WET MULTIPLE DISC BRAKE, SPRING APPLY, HYDRAULIC RELEASE

TORQUE RATING: WET 5,300 LB-IN STATIC (BREAKAWAY) AT 0 PSI BACK PRESSURE
DRY 8,000 LB-IN DRY TORQUE FOR BRAKE RATING & SPECIFICATIONS ONLY

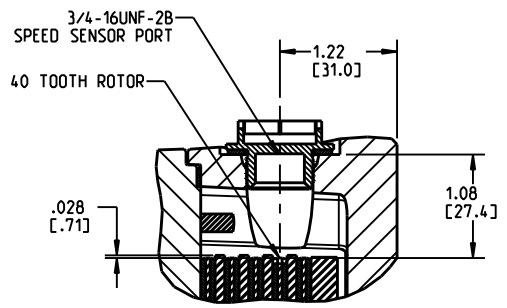
RELEASE PRESSURE: 180 PSI INITIAL, 250 PSI FULL

MAXIMUM OPERATING PRESSURE: 3,000 PSI

MAXIMUM SPEED: 3,900 RPM

LINING MATERIAL: SINTERED BRONZE

APPROXIMATE WEIGHT: 40 LB



SECTION C-C

COOLING OIL RECOMMENDATIONS

OIL TYPE: MINERAL BASE HYDRAULIC OIL SUCH AS MOBIL DTE 24. CITGO A/W 32 OR EQUIVALENT

FLOW THRU CAPACITY: 1.0 - 7.0 GPM

MAXIMUM CASE PRESSURE: 15 PSI

SUMP OIL VOLUME: HORIZONTAL SHAFT: 4 FL. OZ. VERTICAL SHAFT: CONTACT FACTORY

PJS 2010-01-14



COMPONENT AND SYSTEM RECOMMENDATIONS MADE BY MICO, INC ARE BASED ON INFORMATION SUPPLIED BY POTENTIAL USER AND/OR SYSTEM DESIGNER. THE POTENTIAL USER AND/OR DESIGNER MUST MAKE FINAL ACCEPTANCE AND APPROVAL OF COMPONENTS AND SYSTEM AFTER TESTING PERFORMANCE ON AN ACTUAL APPLICATION FOR WHICH SYSTEM WAS DESIGNED.

MICO, INC CLAIMS PROPRIETARY RIGHTS TO THE MATERIAL DISCLOSED IN THIS DOCUMENT. THIS DOCUMENT IS PROVIDED IN CONFIDENCE AND MAY NOT BE REPRODUCED OR DISCLOSED WITHOUT WRITTEN PERMISSION FROM MICO, INC. COPYRIGHT MICO, INC. ALL RIGHTS RESERVED.

SCALE 0.500	TITLE 3C-040080-RZ MULTIPLE DISC BRAKE	SIZE B	DRAWING NUMBER 13-547-532	REV B
DWN RGS1 2010-01-05	APVD PROD ENGRG PJS 2010-01-14		CUSTOMER COPY	
X NO X7706	APVD ENGRG RV 2010-01-05			