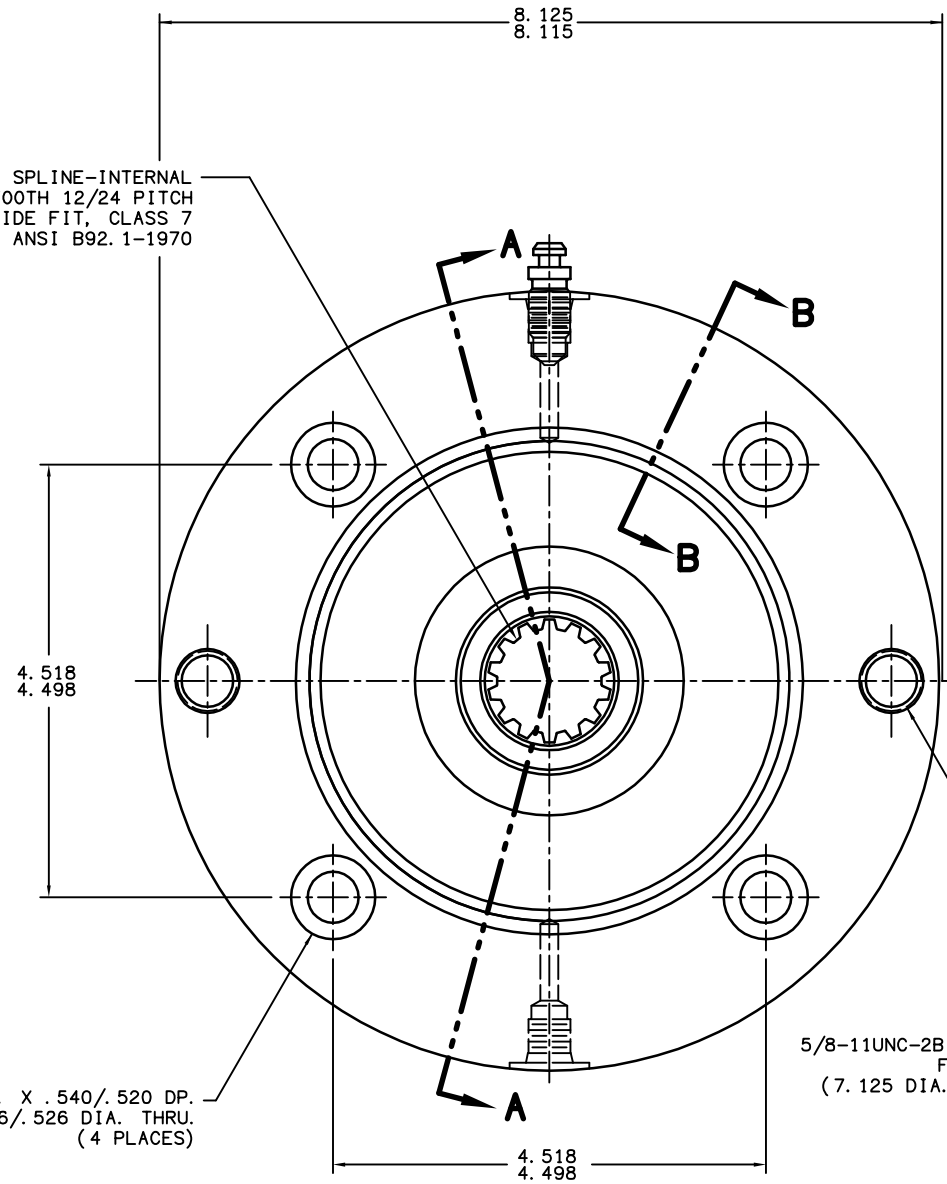


30° INVOLUTE SPLINE-INTERNAL
14 TOOTH 12/24 PITCH
FLAT ROOT, SIDE FIT, CLASS 7
PER ANSI B92.1-1970



C' BORE .880/.870 DIA. X .540/.520 DP.
.536/.526 DIA. THRU.
(4 PLACES)

5/8-11UNC-2B x 1.00 MIN.
FULL THREADS
(7.125 DIA. B. C. REF.)
(2) PLACES

NOTES:

- 1.) LINING REPAIR KIT P/N 12-501-448
- 2.) BEARING REPAIR KIT P/N 12-501-449
- 3.) O-RING REPAIR KIT P/N 12-501-442
- 4.) SPRING REPAIR KIT P/N 12-501-443

SPECIFICATIONS:

TYPE: DRY MULTIPLE DISC BRAKE, SPRING APPLY, HYDRAULIC RELEASE

TORQUE RATING: 4,100 LB-IN STATIC (BREAKAWAY) AT 0 PSI BACK PRESSURE
3,000 LB-IN STATIC (BREAKAWAY) AT 40 PSI BACK PRESSURE

RELEASE PRESSURE: 150 PSI INITIAL, 200 PSI FULL

SPRING COMBINATION: 4 RED SPRINGS

CONTINUOUS PRESSURE RATING: 4,500 PSI

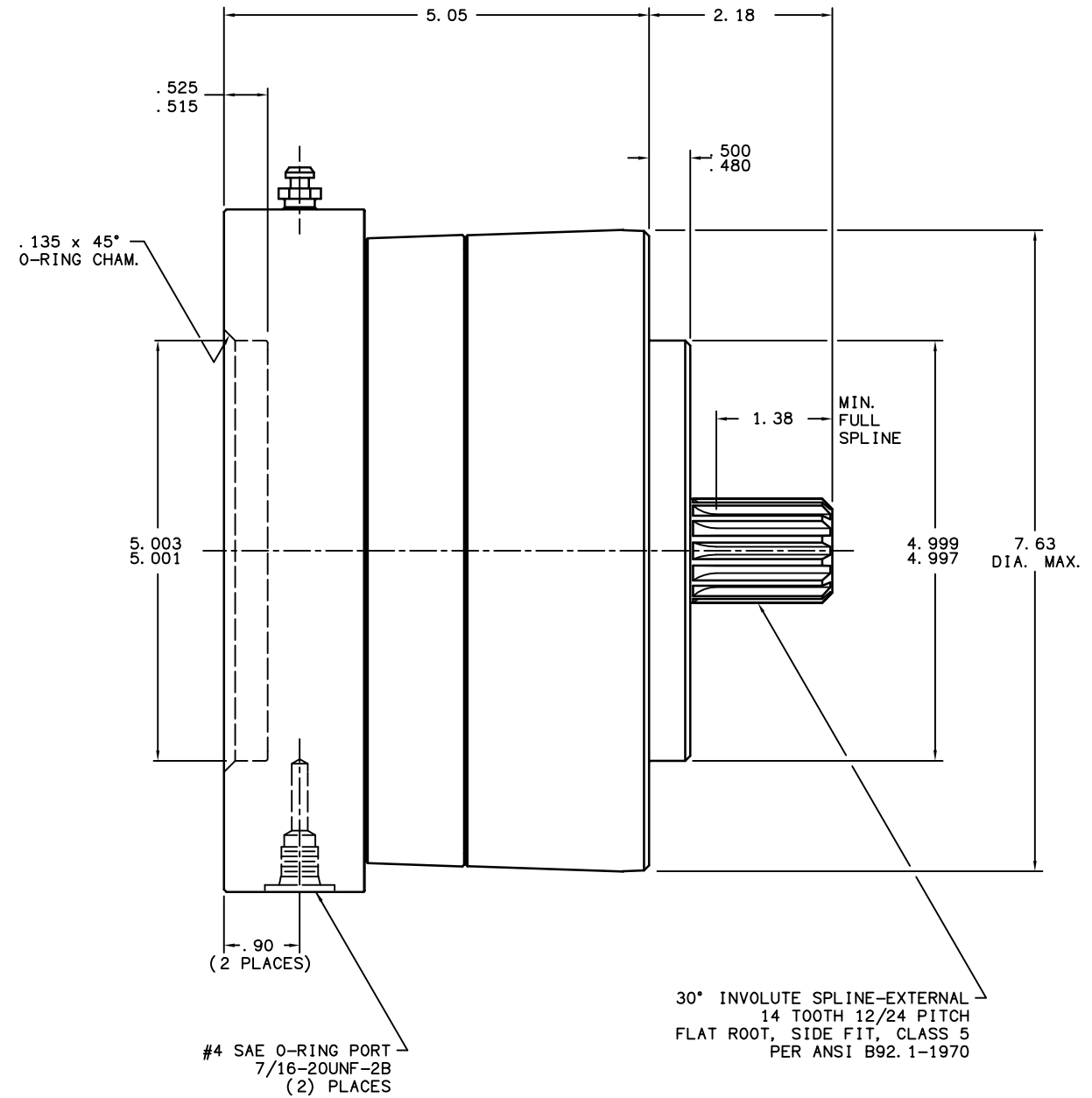
INTERMITTENT PRESSURE RATING: 5,000 PSI

LINING MATERIAL: SINTERED BRONZE

APPROXIMATE WEIGHT: 40 LBS.

MAXIMUM SPEED: 3,900 RPM

FOR USE WITH MINERAL BASE HYDRAULIC OIL ONLY.



.135 x 45°
O-RING CHAM.

#4 SAE O-RING PORT
7/16-20UNF-2B
(2) PLACES

30° INVOLUTE SPLINE-EXTERNAL
14 TOOTH 12/24 PITCH
FLAT ROOT, SIDE FIT, CLASS 5
PER ANSI B92.1-1970



North Mankato, Minnesota USA

COMPONENT AND SYSTEM RECOMMENDATIONS MADE BY MICO, INC ARE BASED ON INFORMATION SUPPLIED BY POTENTIAL USER AND/OR SYSTEM DESIGNER. THE POTENTIAL USER AND/OR DESIGNER MUST MAKE FINAL ACCEPTANCE AND APPROVAL OF COMPONENTS AND SYSTEM AFTER TESTING PERFORMANCE ON AN ACTUAL APPLICATION FOR WHICH SYSTEM WAS DESIGNED.

MICO, INC CLAIMS PROPRIETARY RIGHTS TO THE MATERIAL DISCLOSED IN THIS DOCUMENT. THIS DOCUMENT IS PROVIDED IN CONFIDENCE AND MAY NOT BE REPRODUCED OR DISCLOSED WITHOUT WRITTEN PERMISSION FROM MICO, INC. COPYRIGHT MICO, INC. ALL RIGHTS RESERVED.

SCALE 1:2	TITLE MULTIPLE DISC BRAKE		
DWN GAA 02/21/06	APVD PROD ENGRG	SIZE B	DRAWING NUMBER 13-547-520
X NO X7827	APVD ENGRG	REV A	CUSTOMER COPY