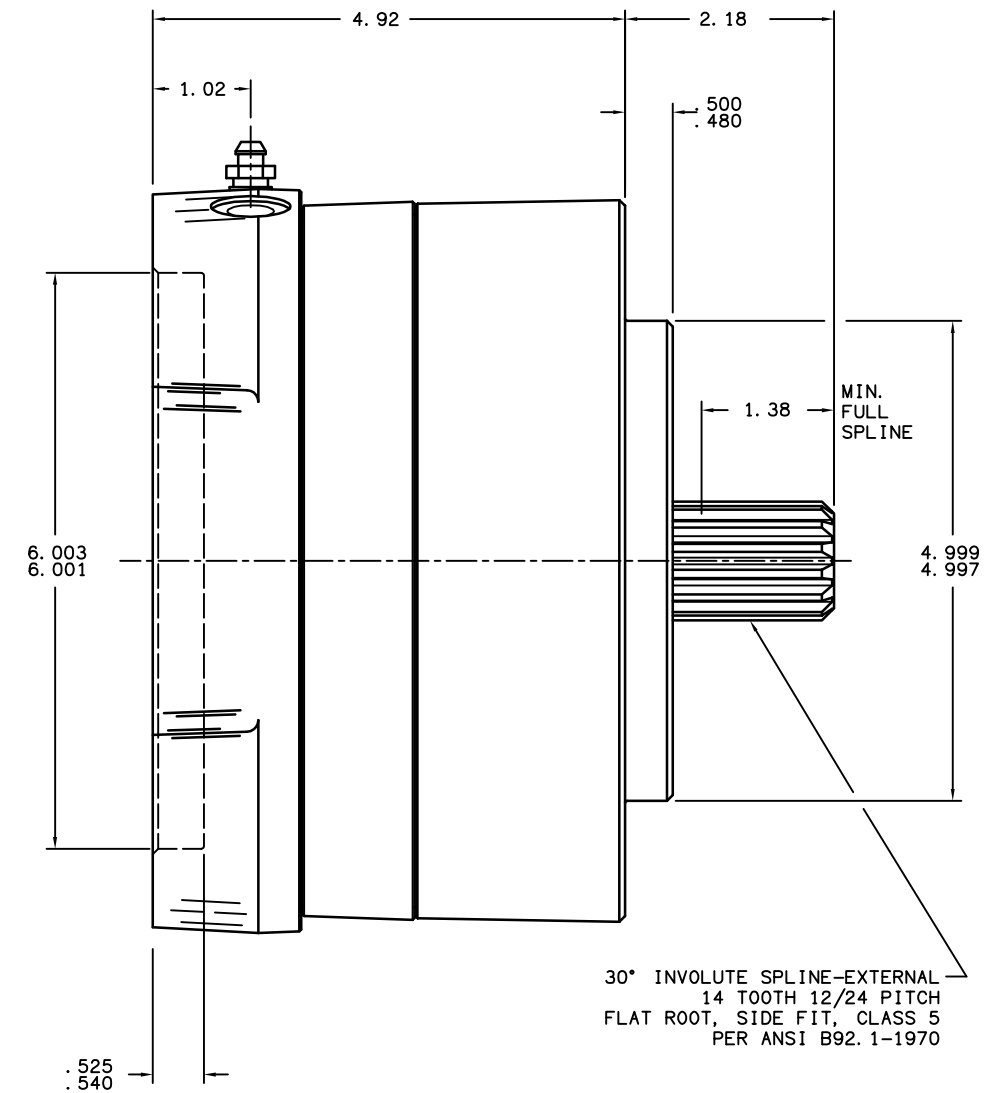
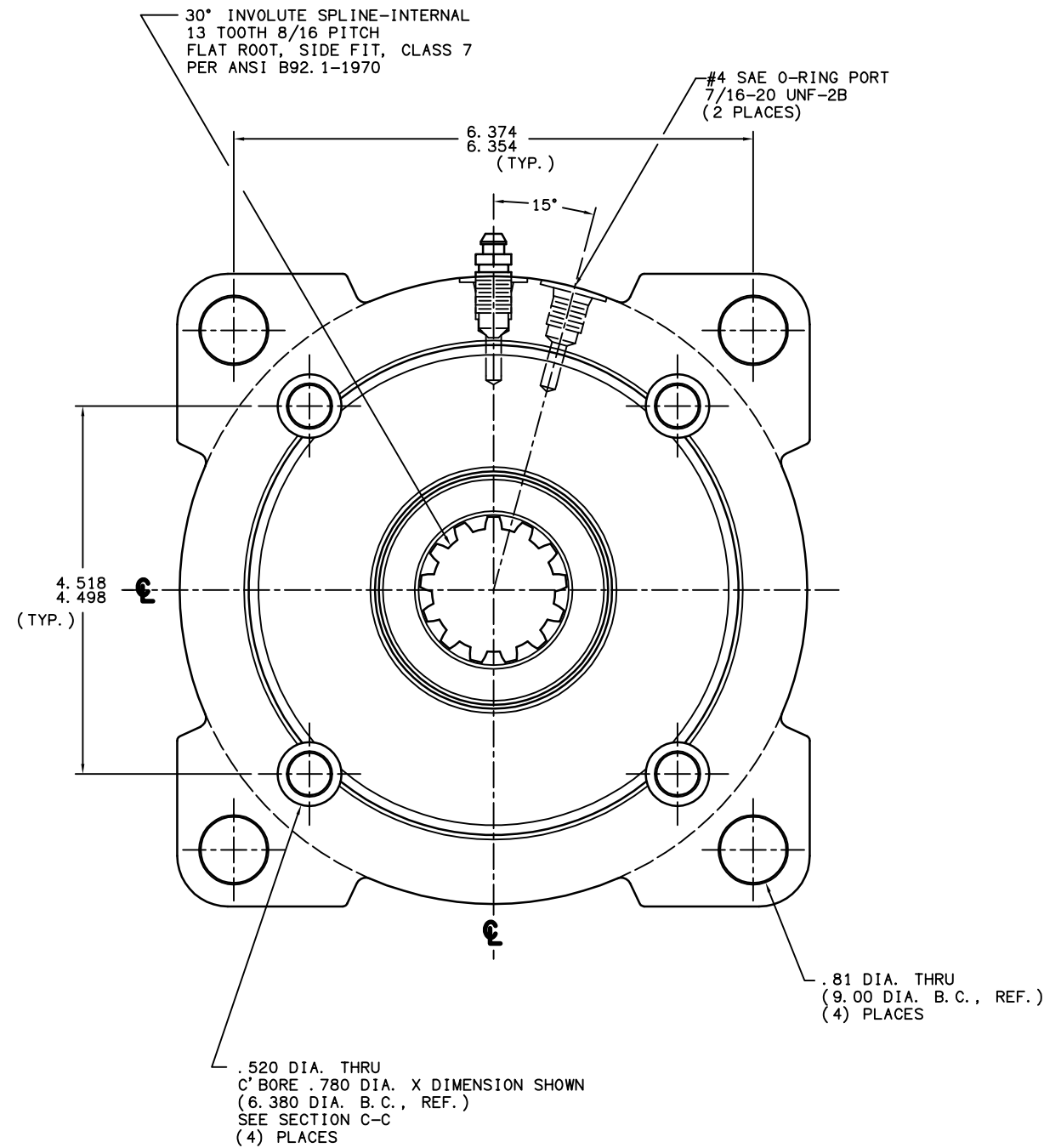


PART NUMBER
13-547-458
NPI OR ECN NO.
ECO S-1686



NOTES:

- 1.) LINING REPAIR KIT P/N 12-501-222
- 2.) BEARING REPAIR KIT P/N 12-501-220
- 3.) O-RING REPAIR KIT P/N 12-501-219
- 4.) SPRING REPAIR KIT P/N 12-501-221

SPECIFICATIONS:

TYPE: DRY MULTIPLE DISC BRAKE, SPRING APPLY, HYDRAULIC RELEASE

TORQUE RATING: 5,500 IN. LBS. STATIC (BREAKAWAY) AT 0 P. S. I. BACK PRESSURE

RELEASE PRESSURE: 130 P. S. I. INITIAL, 170 P. S. I. FULL

MAXIMUM OPERATING PRESSURE: 3,000 P. S. I.

MAXIMUM SPEED: 3,900 R. P. M.

APPROXIMATE WEIGHT: 50 LBS.

FOR USE WITH MINERAL BASE HYDRAULIC OIL ONLY



COMPONENT AND SYSTEM RECOMMENDATIONS MADE BY MICO, INC. ARE BASED ON INFORMATION SUPPLIED BY POTENTIAL USER AND/OR SYSTEM DESIGNER. THE POTENTIAL USER AND/OR DESIGNER MUST MAKE FINAL ACCEPTANCE AND APPROVAL OF COMPONENTS AND SYSTEM AFTER TESTING PERFORMANCE ON AN ACTUAL APPLICATION FOR WHICH SYSTEM WAS DESIGNED.

MICO, INC. CLAIMS PROPRIETARY RIGHTS TO THE MATERIAL DISCLOSED IN THIS DOCUMENT. THIS DOCUMENT IS PROVIDED IN CONFIDENCE AND MAY NOT BE REPRODUCED OR DISCLOSED WITHOUT WRITTEN PERMISSION FROM MICO, INC. COPYRIGHT MICO, INC. ALL RIGHTS RESERVED.

TITLE		MULTIPLE DISC BRAKE 3C-141355-D	
SCALE	CHECKED	PART NUMBER	REV
1:2	G. J. 03/07/03	13-547-458	B
DRN G. J.	APP ENG	CUSTOMER COPY	
10/13/98	GAA 03/06/03		