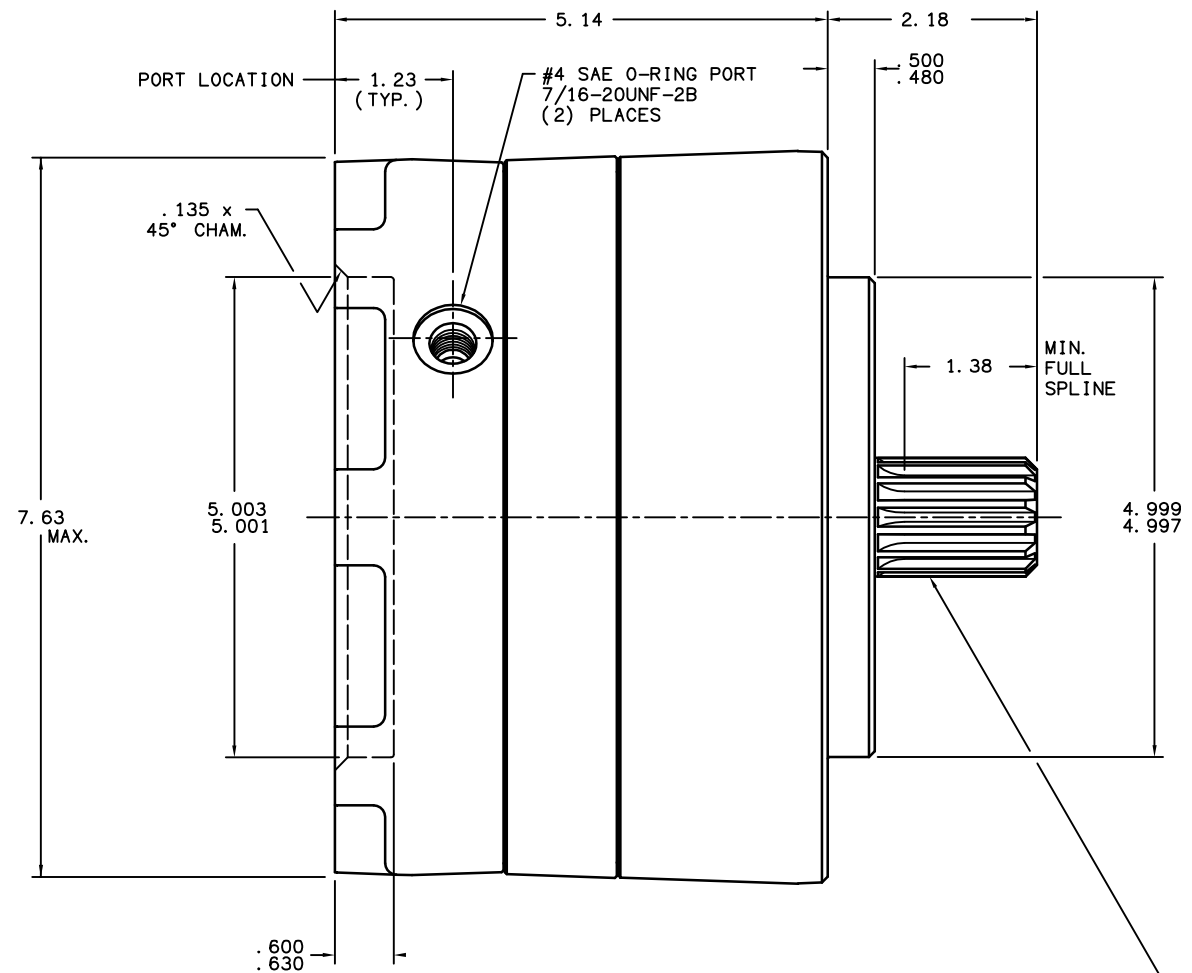
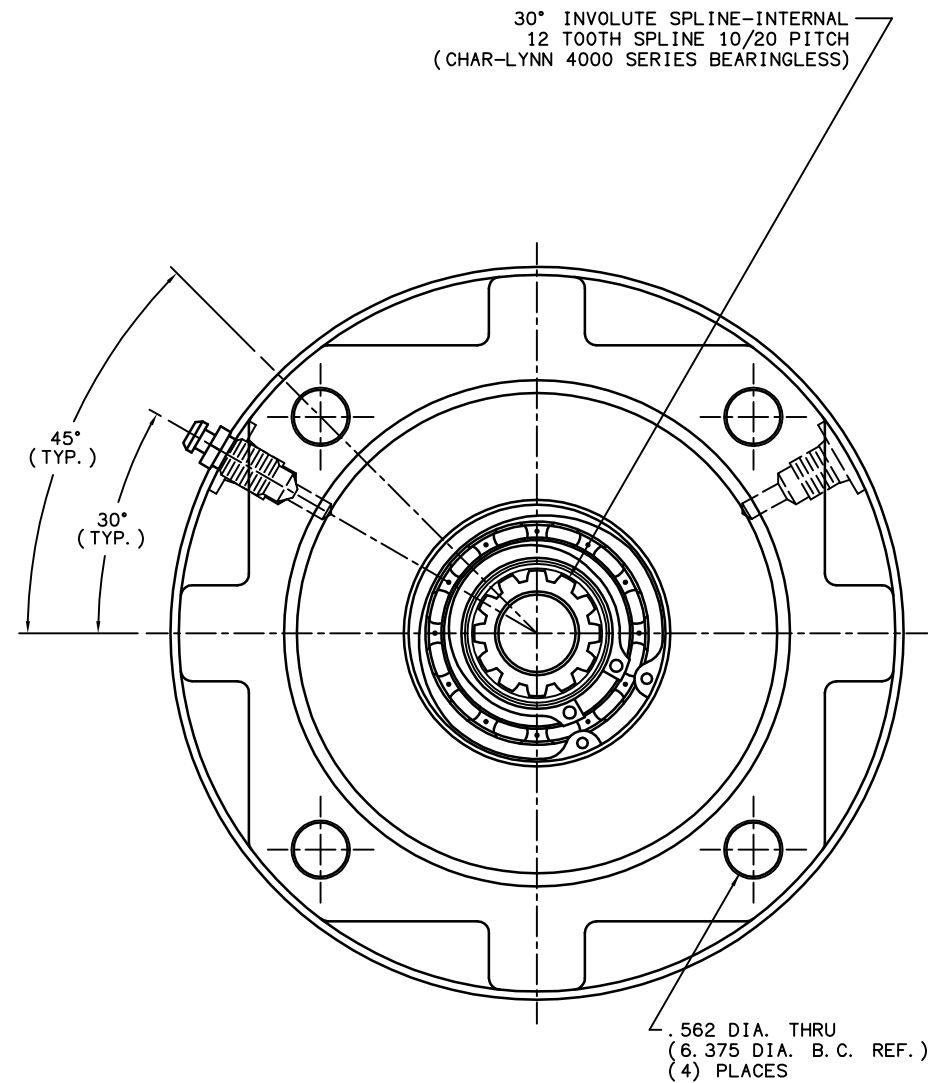


PART NUMBER
13-547-426
NPI OR ECN NO.
ECO S-1686



30° INVOLUTE SPLINE-EXTERNAL
14 TOOTH 12/24 PITCH
FLAT ROOT, SIDE FIT, CLASS 5
PER ANSI B92.1-1970

NOTES:

- 1.) LINING REPAIR KIT P/N 12-501-004
- 2.) BEARING REPAIR KIT P/N 12-501-238
- 3.) O-RING REPAIR KIT P/N 12-501-239
- 4.) SPRING REPAIR KIT P/N 12-501-008

SPECIFICATIONS:

TYPE: DRY MULTIPLE DISC BRAKE, SPRING APPLY, HYDRAULIC RELEASE

TORQUE RATING: 9,800 LB-IN STATIC (BREAKAWAY) AT 0 PSI BACK PRESSURE

RELEASE PRESSURE: 210 PSI INITIAL, 290 PSI FULL

MAXIMUM OPERATING PRESSURE: 3,000 PSI

MAXIMUM SPEED: 1,000 RPM

APPROXIMATE WEIGHT: 40 LBS.

FOR USE WITH MINERAL BASE HYDRAULIC OIL ONLY.

INSTALLATION INFORMATION

1. THIS BRAKE IS DESIGNED TO MOUNT WITH THE CHAR-LYNN 4,000 SERIES BEARINGLESS MOTOR. (SLEEVE BEARING NOT REQUIRED.)
2. IF THE MOTOR CASE DRAIN IS USED, THE DRAIN LINE MUST BE ROUTED SUCH THAT THE SPLINE AREA IS LUBRICATED AT ALL TIMES.
3. REFER TO THE MOTOR INSTALLATION INSTRUCTIONS FOR FURTHER INFORMATION.

CAUTION:

CASE PRESSURE BETWEEN THE MOTOR AND BRAKE MUST NOT EXCEED 500 PSI.



North Mankato, Minnesota U.S.A.

COMPONENT AND SYSTEM RECOMMENDATIONS MADE BY MICO, INC. ARE BASED ON INFORMATION SUPPLIED BY POTENTIAL USER AND/OR SYSTEM DESIGNER. THE POTENTIAL USER AND/OR DESIGNER MUST MAKE FINAL ACCEPTANCE AND APPROVAL OF COMPONENTS AND SYSTEM AFTER TESTING PERFORMANCE ON AN ACTUAL APPLICATION FOR WHICH SYSTEM WAS DESIGNED.

MICO, INC. CLAIMS PROPRIETARY RIGHTS TO THE MATERIAL DISCLOSED IN THIS DOCUMENT. THIS DOCUMENT IS PROVIDED IN CONFIDENCE AND MAY NOT BE REPRODUCED OR DISCLOSED WITHOUT WRITTEN PERMISSION FROM MICO, INC. COPYRIGHT MICO, INC. ALL RIGHTS RESERVED.

TITLE		MULTIPLE DISC BRAKE 3C-142098-L4	
SCALE 1:2	CHECKED G. J. 03/07/03	PART NUMBER 13-547-426	REV E
DRN G. J. 6/9/98	APP ENG GAA 03/06/03	CUSTOMER COPY	