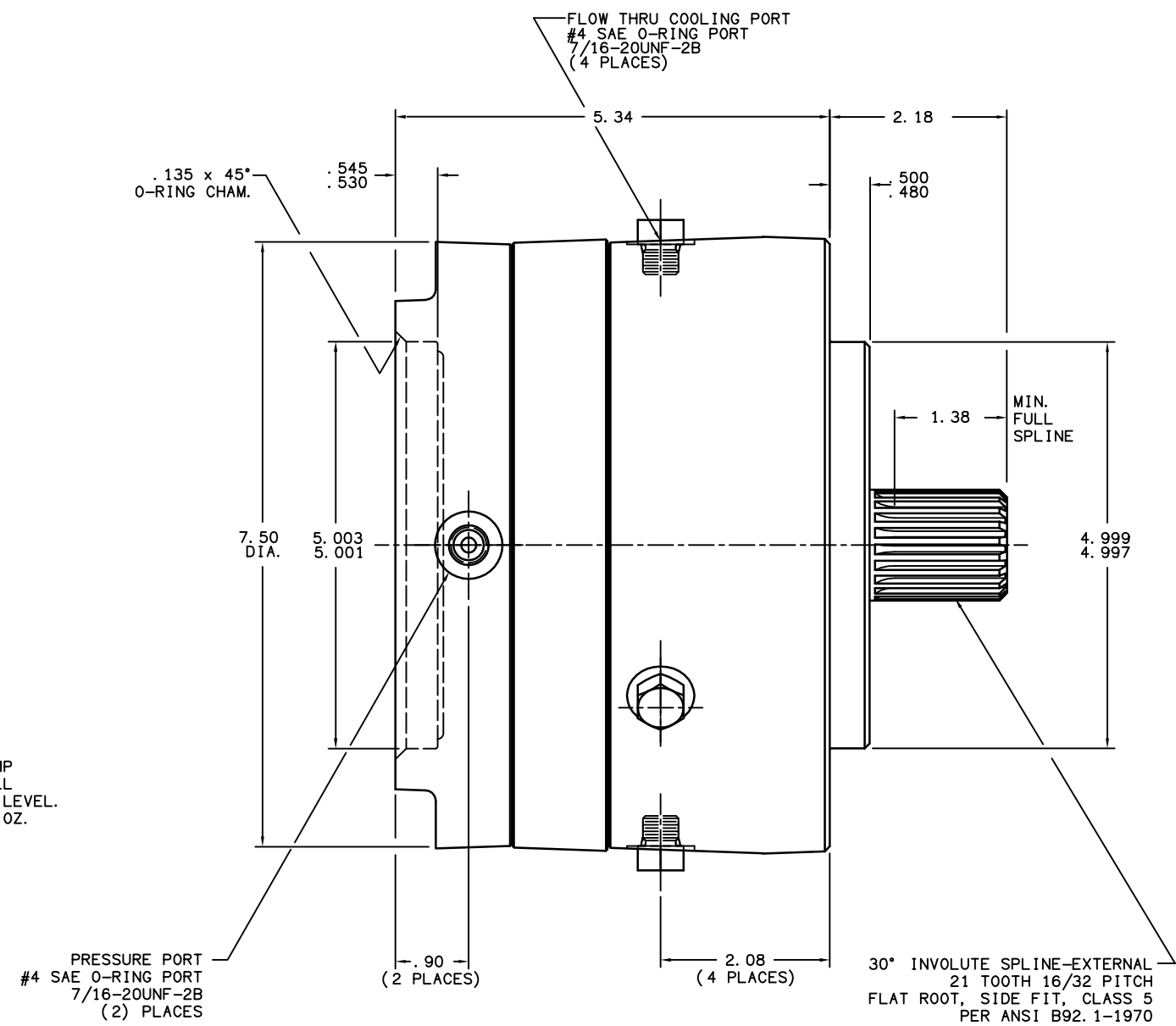
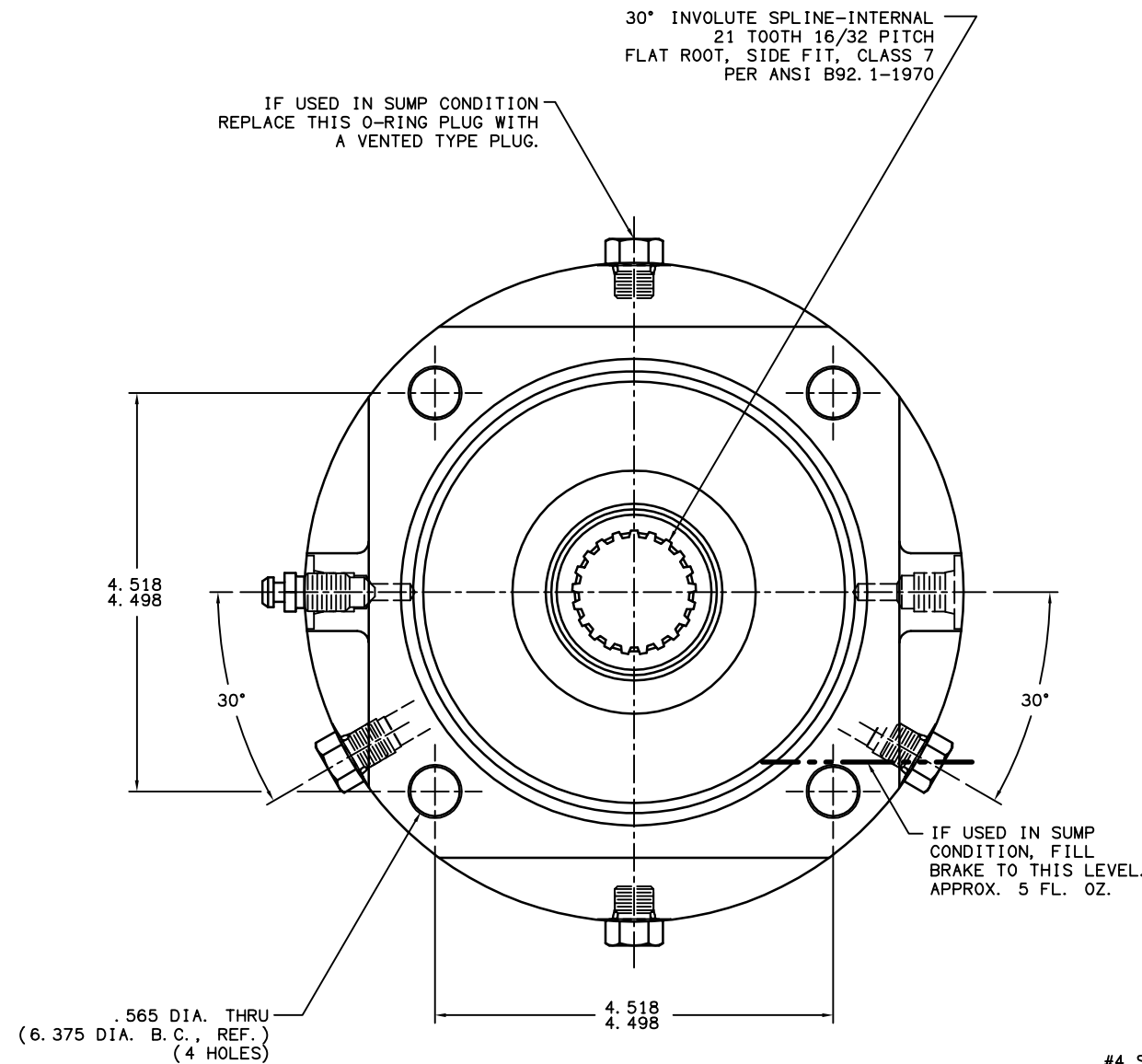


PART NUMBER
13-547-390
NPI OR ECN NO.
ECO S-1686



NOTES:

- 1.) LINING REPAIR KIT P/N 12-501-213
- 2.) BEARING REPAIR KIT P/N 12-501-284
- 3.) O-RING REPAIR KIT P/N 12-501-285
- 4.) SPRING REPAIR KIT P/N 12-501-008
- 5.) THIS BRAKE IS DESIGNED FOR FLOW THRU OR SUMP COOLING ONLY. DAMAGE WILL OCCUR TO FRICTION LININGS IF USED DRY.
- 6.) MAXIMUM CASE PRESSURE NOT TO EXCEED 15 PSI

SPECIFICATIONS:

TYPE: WET MULTIPLE DISC BRAKE, SPRING APPLY, HYDRAULIC RELEASE

TORQUE RATING: WET 5,600 LB-IN STATIC (BREAKAWAY) AT 0 PSI BACK PRESSURE
DRY 8,500 LB-IN (SEE NOTE #5 ABOVE) DRY TORQUE FOR BRAKE RATING AND SPECIFICATIONS ONLY

RELEASE PRESSURE: 130 PSI INITIAL, 190 PSI FULL

MAXIMUM OPERATING PRESSURE: 3,000 PSI

MAXIMUM SPEED: 3,900 RPM

APPROXIMATE WEIGHT: 45 LBS.

FOR USE WITH MINERLA BASE HYDRAULIC OIL ONLY.



COMPONENT AND SYSTEM RECOMMENDATIONS MADE BY MICO, INC. ARE BASED ON INFORMATION SUPPLIED BY POTENTIAL USER AND/OR SYSTEM DESIGNER. THE POTENTIAL USER AND/OR DESIGNER MUST MAKE FINAL ACCEPTANCE AND APPROVAL OF COMPONENTS AND SYSTEM AFTER TESTING PERFORMANCE ON AN ACTUAL APPLICATION FOR WHICH SYSTEM WAS DESIGNED.

MICO, INC. CLAIMS PROPRIETARY RIGHTS TO THE MATERIAL DISCLOSED IN THIS DOCUMENT. THIS DOCUMENT IS PROVIDED IN CONFIDENCE AND MAY NOT BE REPRODUCED OR DISCLOSED WITHOUT WRITTEN PERMISSION FROM MICO, INC. COPYRIGHT MICO, INC. ALL RIGHTS RESERVED.

TITLE		MULTIPLE DISC BRAKE	
SCALE	CHECKED	PART NUMBER	REV
1; 2	G. J. 03/07/03	13-547-390	C
DRN G. J. 08/30/00	APP ENG GAA 03/06/03	CUSTOMER COPY	