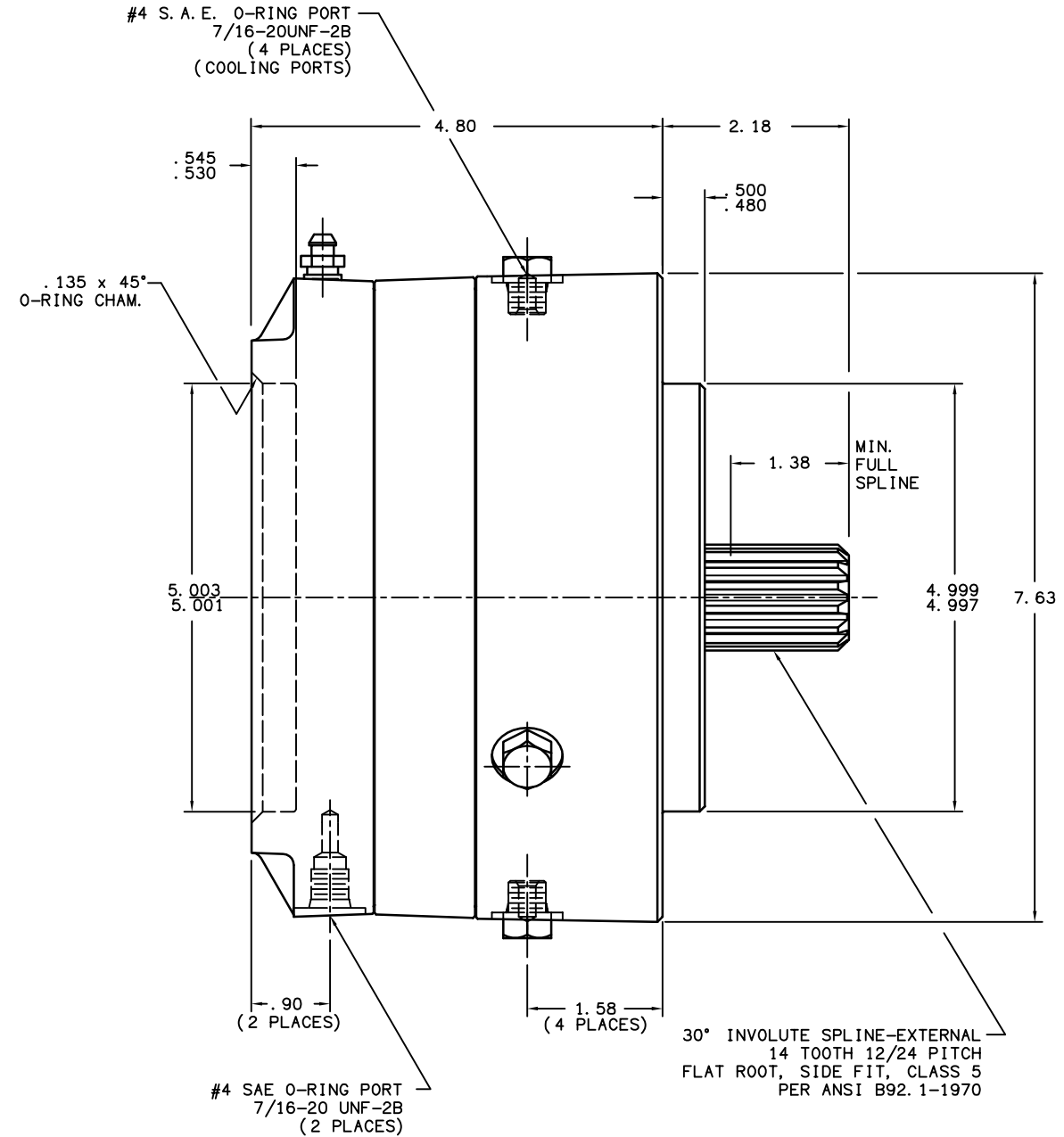
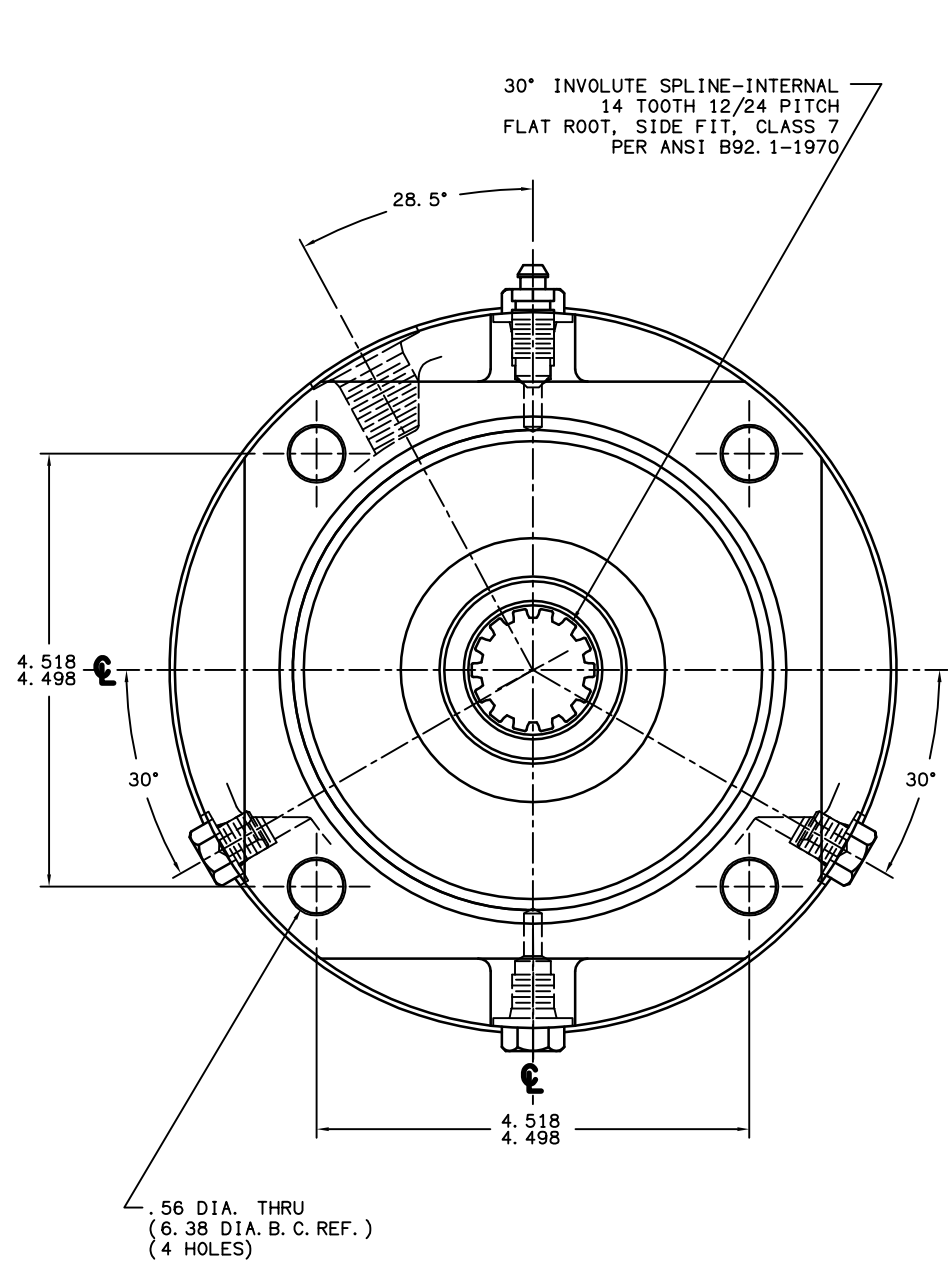


PART NUMBER  
13-547-304  
NPI OR ECN NO.  
ECO S-1686



**NOTES:**

- 1.) LINING REPAIR KIT P/N 12-501-237
- 2.) BEARING REPAIR KIT P/N 12-501-006
- 3.) O-RING REPAIR KIT P/N 12-501-002
- 4.) SPRING REPAIR KIT P/N 12-501-008

**SPECIFICATIONS:**

**TYPE:** WET MULTIPLE DISC BRAKE,  
SPRING APPLY, HYDRAULIC RELEASE

**TORQUE RATING:** WET 5,700 IN. LBS. STATIC (BREAKAWAY)  
AT 0 P. S. I. BACK PRESSURE  
DRY 8,500 IN. LBS. DRY TORQUE FOR BRAKE  
RATING & SPECIFICATIONS ONLY.

**RELEASE PRESSURE:** 150 P. S. I. INITIAL, 210 P. S. I. FULL

**MAXIMUM OPERATING PRESSURE:** 3,000 P. S. I. (INTERMITTENT)

**MAXIMUM SPEED:** 3,900 R. P. M.

**APPROXIMATE WEIGHT:** 40 LBS.

FOR USE WITH MINERAL BASE HYDRAULIC OIL ONLY

COMPONENT AND SYSTEM RECOMMENDATIONS MADE BY MICO, INC. ARE BASED ON INFORMATION SUPPLIED BY POTENTIAL USER AND/OR SYSTEM DESIGNER. THE POTENTIAL USER AND/OR DESIGNER MUST MAKE FINAL ACCEPTANCE AND APPROVAL OF COMPONENTS AND SYSTEM AFTER TESTING PERFORMANCE ON AN ACTUAL APPLICATION FOR WHICH SYSTEM WAS DESIGNED.

MICO, INC. CLAIMS PROPRIETARY RIGHTS TO THE MATERIAL DISCLOSED IN THIS DOCUMENT. THIS DOCUMENT IS PROVIDED IN CONFIDENCE AND MAY NOT BE REPRODUCED OR DISCLOSED WITHOUT WRITTEN PERMISSION FROM MICO, INC. COPYRIGHT MICO, INC. ALL RIGHTS RESERVED.



TITLE		MULTIPLE DISC BRAKE 3C-141485-CSZX4	
SCALE 1:2	CHECKED G. J. 03/07/03	PART NUMBER 13-547-304	REV D
DRN G. J. 10-1/98	APP ENG GAA 03/06/03	CUSTOMER COPY	