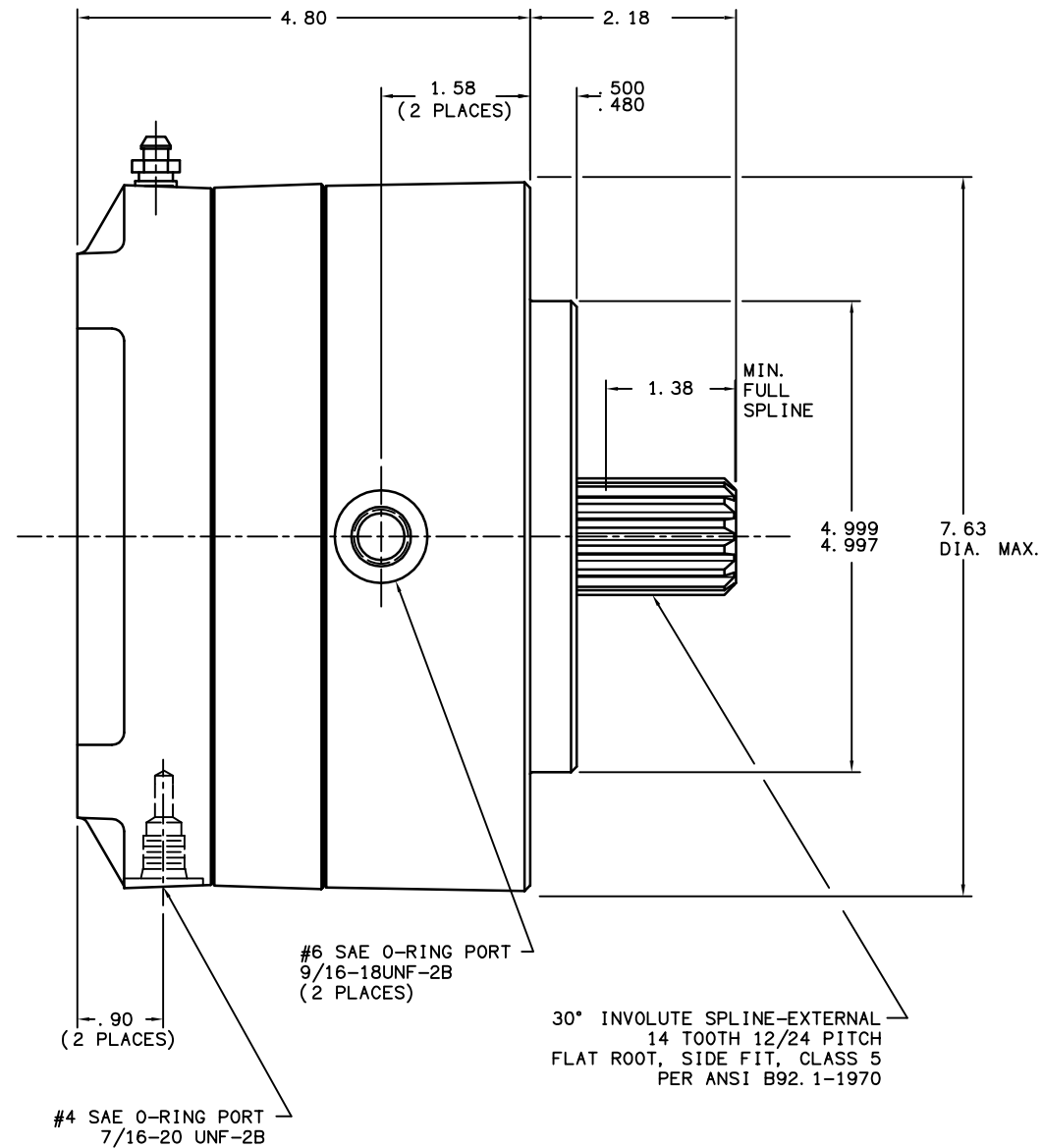
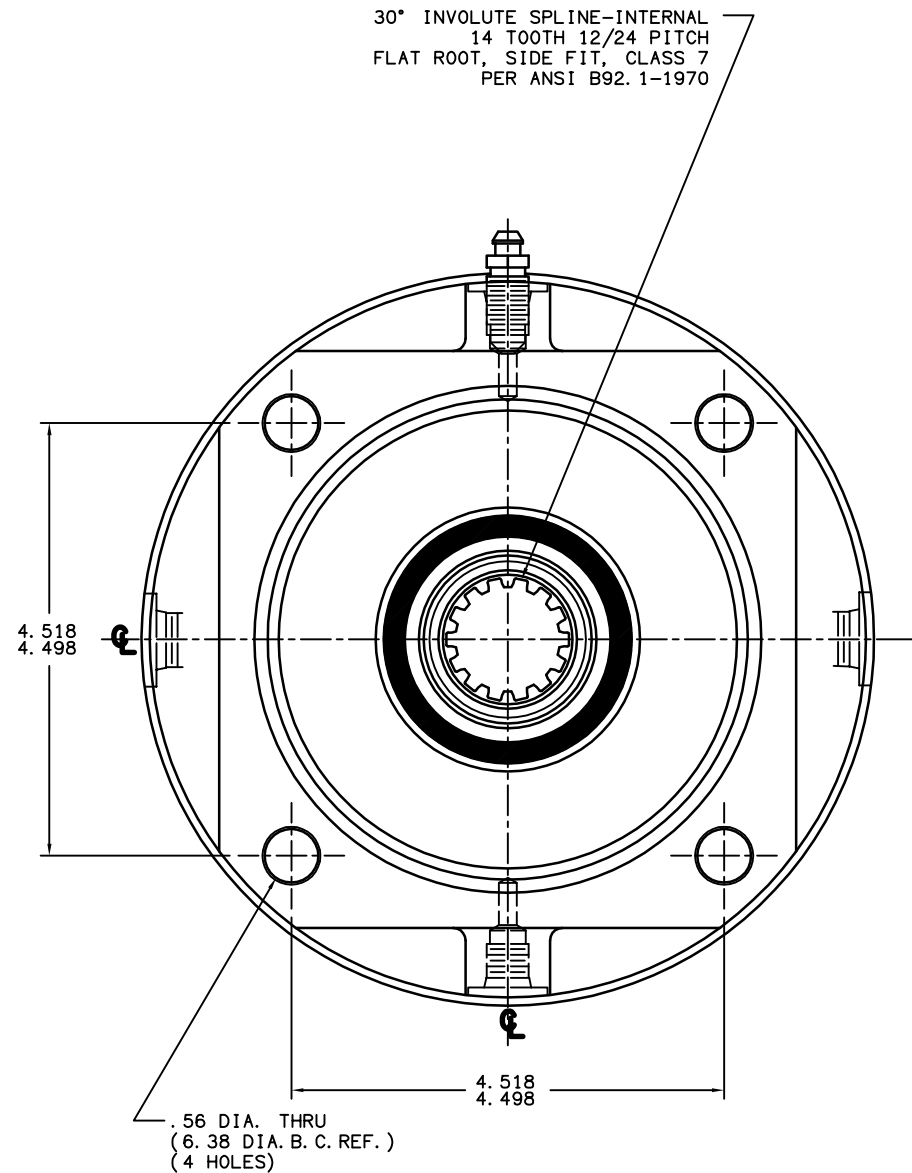


PART NUMBER
13-547-288

NPI OR ECN NO.
ECN000128



NOTES:

- 1.) LINING REPAIR KIT P/N 12-501-014
- 2.) BEARING REPAIR KIT P/N 12-501-182
- 3.) O-RING REPAIR KIT P/N 12-501-002
- 4.) SPRING REPAIR KIT P/N 12-501-008

SPECIFICATIONS:

TYPE: DRY MULTIPLE DISC BRAKE, SPRING APPLY, HYDRAULIC RELEASE

TORQUE RATING: WET 8,000 IN. LBS. STATIC (BREAKAWAY) AT 0 P. S. I. BACK PRESSURE
DRY 12,000 IN. LBS. DRY TORQUE FOR RATING AND SPECIFICATIONS ONLY.

RELEASE PRESSURE: 210 P. S. I. INITIAL, 310 P. S. I. FULL

MAXIMUM OPERATING PRESSURE: 3,000 P. S. I.

MAXIMUM SPEED: 3,900 R. P. M.

LINING MATERIAL: SINTERED BRONZE

APPROXIMATE WEIGHT: 40 LBS.

FOR USE WITH MINERAL BASE HYDRAULIC OIL ONLY

COOLING OIL RECOMMENDATIONS:

OIL TYPE: MINERAL BASE HYDRAULIC OIL SUCH AS MOBIL DTE 24, CITGO A/W 32 OR EQUIVALENT

FLOW THRU CAPACITY: 1.0 - 7.0 GPM

MAXIMUM CASE PRESSURE: 15 PSI

SUMP OIL VOLUME:
HORIZONTAL: 4 FL. OZ.
VERTICAL: CONTACT FACTORY



North Mankato, Minnesota U. S. A.

TITLE MULTIPLE DISC BRAKE
3C-141412-CDZ

COMPONENT AND SYSTEM RECOMMENDATIONS MADE BY MICO, INC. ARE BASED ON INFORMATION SUPPLIED BY POTENTIAL USER AND/OR SYSTEM DESIGNER. THE POTENTIAL USER AND/OR DESIGNER MUST MAKE FINAL ACCEPTANCE AND APPROVAL OF COMPONENTS AND SYSTEM AFTER TESTING PERFORMANCE ON AN ACTUAL APPLICATION FOR WHICH SYSTEM WAS DESIGNED.

MICO, INC. CLAIMS PROPRIETARY RIGHTS TO THE MATERIAL DISCLOSED IN THIS DOCUMENT. THIS DOCUMENT IS PROVIDED IN CONFIDENCE AND MAY NOT BE REPRODUCED OR DISCLOSED WITHOUT WRITTEN PERMISSION FROM MICO, INC. COPYRIGHT MICO, INC. ALL RIGHTS RESERVED.

| | | | |
|-------------------|---------|---------------------------|----------|
| SCALE 1:2 | CHECKED | PART NUMBER 13-547-288 | REV C |
| DRN DLV 2-6-95 | APP ENG | CUSTOMER COPY | |