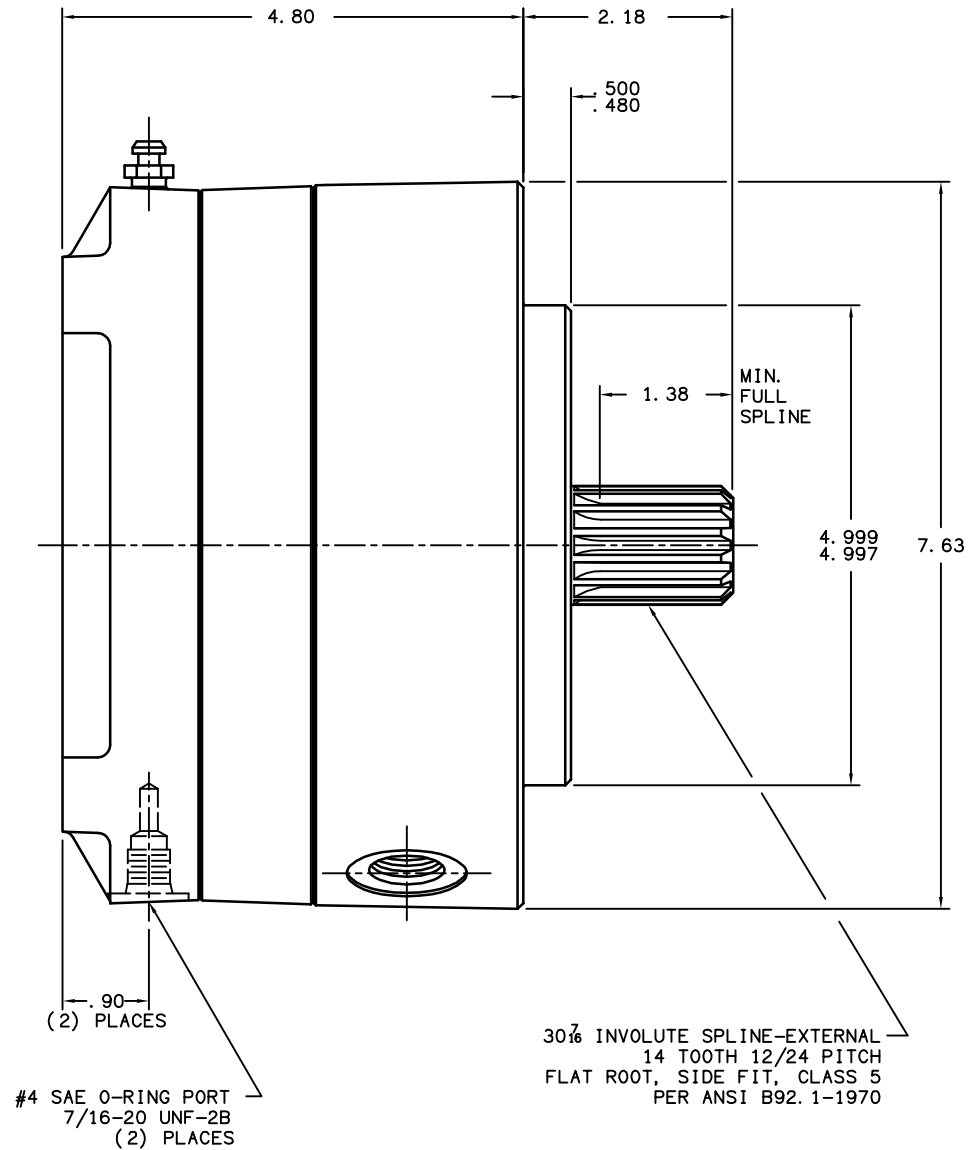
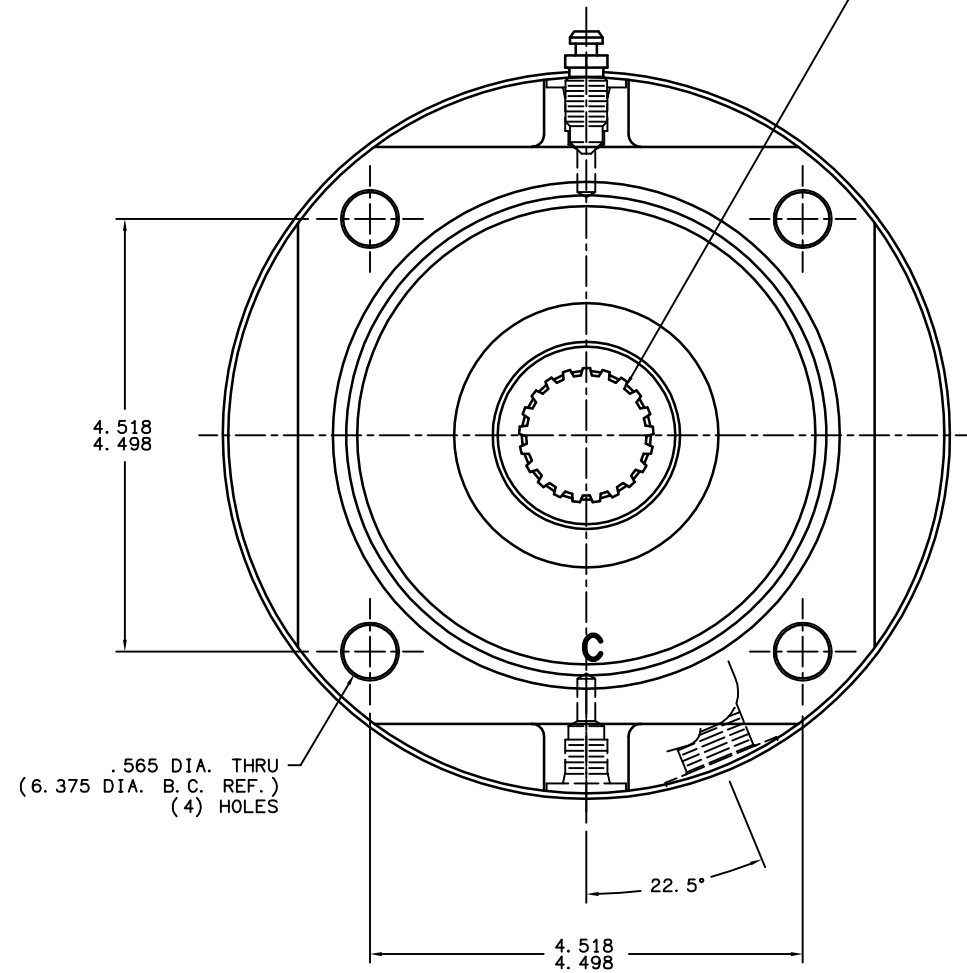


PART NUMBER  
13-547-276  
NPI OR ECN NO.  
ECO S-1686

30° INVOLUTE SPLINE-INTERNAL  
21 TOOTH 16/32 PITCH  
FLAT ROOT, SIDE FIT, CLASS 7  
PER ANSI B92.1-1970



**NOTES:**

- 1.) LINING REPAIR KIT P/N 12-501-227
- 2.) BEARING REPAIR KIT P/N 12-501-006
- 3.) O-RING REPAIR KIT P/N 12-501-002
- 4.) SPRING REPAIR KIT P/N 12-501-008

**SPECIFICATIONS:**

**TYPE:** DRY MULTIPLE DISC BRAKE,  
SPRING APPLY, HYDRAULIC RELEASE

**TORQUE RATING:** 7,000 LB-IN STATIC (BREAKAWAY)  
AT 0 PSI BACK PRESSURE

**RELEASE PRESSURE:** 160 PSI INITIAL, 210 PSI FULL

**MAXIMUM OPERATING PRESSURE:** 3,000 PSI

**MAXIMUM SPEED:** 3,900 RPM

**LINING MATERIAL:** SINTERED BRONZE

**APPROXIMATE WEIGHT:** 40 LBS.

FOR USE WITH MINERAL BASE HYDRAULIC OIL ONLY.



COMPONENT AND SYSTEM RECOMMENDATIONS MADE BY MICO, INC. ARE BASED ON INFORMATION SUPPLIED BY POTENTIAL USER AND/OR SYSTEM DESIGNER. THE POTENTIAL USER AND/OR DESIGNER MUST MAKE FINAL ACCEPTANCE AND APPROVAL OF COMPONENTS AND SYSTEM AFTER TESTING PERFORMANCE ON AN ACTUAL APPLICATION FOR WHICH SYSTEM WAS DESIGNED.

MICO, INC. CLAIMS PROPRIETARY RIGHTS TO THE MATERIAL DISCLOSED IN THIS DOCUMENT. THIS DOCUMENT IS PROVIDED IN CONFIDENCE AND MAY NOT BE REPRODUCED OR DISCLOSED WITHOUT WRITTEN PERMISSION FROM MICO, INC. COPYRIGHT MICO, INC. ALL RIGHTS RESERVED.

TITLE		MULTIPLE DISC BRAKE 3C-142170-CS	
SCALE 1:2	CHECKED G. J. 03/07/03	PART NUMBER 13-547-276	REV D
DRN ETM 12-27-94	APP ENG GAA 03/06/03	CUSTOMER COPY	